



 **NORANDEX™**  
VINYL SIDING, SOFFIT & ACCESSORIES



SHUTTERS, BLOCKS, & VENTS



[WWW.NORANDEX.COM](http://WWW.NORANDEX.COM)

# MOUNTING BLOCKS & UTILITY VENTS



## LARGE MOUNTING BLOCK

- Applications include coach lights, HE furnace penetrations, and more
- Can be installed vertically or horizontally
- Accepts the universal electrical box



## STANDARD MOUNTING BLOCK

- Applications include receptacles, UL receptacles, exterior lights, security cameras, and more
- Can be installed vertically or horizontally
- Accepts the universal electrical box



## SPLIT BLOCK

- Applications include hose penetrations, existing receptacles, AC lines, and more
- Largest design in the industry that allows for adequate hand space for hose spigot access



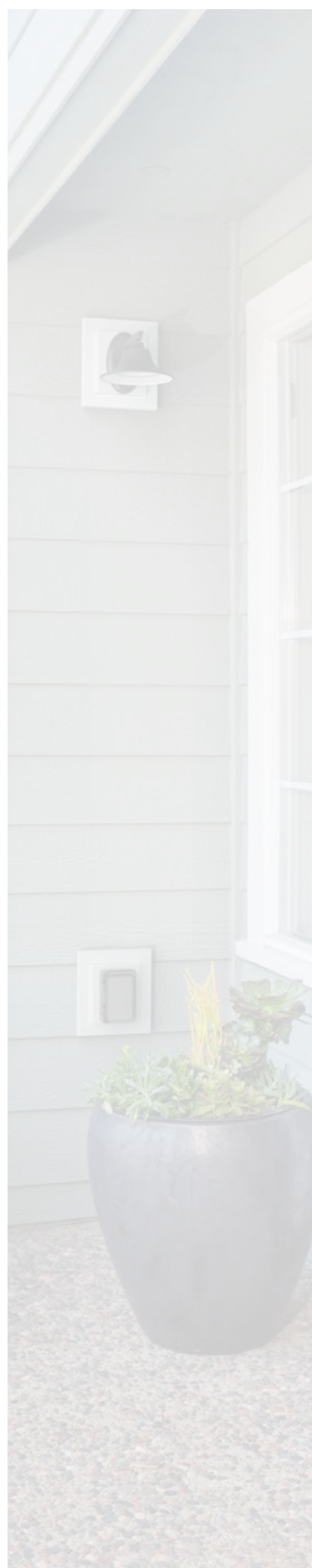
## 4" HOODED VENT

- Applications include exhaust fans, dryer fans, and more
- Flapper is designed to prevent "flutter"
- Tube included
- Backplate is square, simplifying cutting siding around the backplate



## UNIVERSAL ELECTRICAL BOX

- Easily fits inside the standard and large mounting blocks
- Installs over the wall substrate and housewrap
- 5 knock outs provided to bring the wires inside the box
- Available in black only



## EVERYTHING YOU NEED. NOTHING YOU DON'T.

Our mission is to maximize the joy associated with selling, installing, and living in a home featuring our products by providing simple, yet elegant design solutions.

### • FIVE POPULAR PROFILES:

- Large Mounting Block
- Standard Mounting Block
- Split Block
- 4" Hooded Vent
- Universal Electrical Box



A beautiful collection of darker, richer colors with tremendous curb appeal, providing a real value for homeowners seeking a unique darker finish that stands out and stands apart from others in the neighborhood.

## 38 MATCHING NORANDEX COLORS

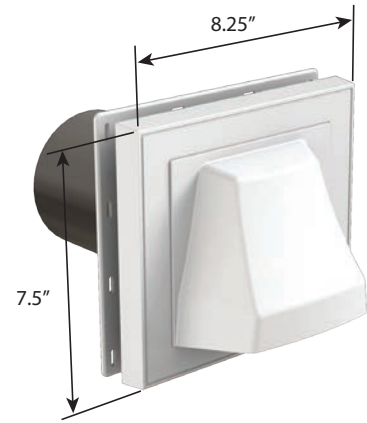
A43	WHITE	R63	MOCHA PREMIUM	D37	SMOKE PREMIUM
P20	LINEN	T41	RUSSET DESIGNER COLLECTION	C14	SILVER
P21	BEIGE	T43	MAVERICK BROWN DESIGNER COLLECTION	D31	GRANITE PREMIUM
V25	CREAM	T47	RUSTIC CEDAR DESIGNER COLLECTION	D38	VINTAGE GREY DESIGNER COLLECTION
V29	YELLOW	X80	FIREBRICK DESIGNER COLLECTION	D42	SEAPORT DESIGNER COLLECTION
P23	ALMOND	R62	KHAKI PREMIUM	M70	JAMESTOWN BLUE DESIGNER COLLECTION
P24	TAN	F13	CACTUS	K14	STEEL BLUE DESIGNER COLLECTION
P25	CHAMPAGNE	F14	FERN PREMIUM	K12	WEDGEWOOD PREMIUM
R54	WHEAT	F11	IVY PREMIUM	K17	GENEVA BLUE PREMIUM
R53	SANDSTONE	F16	OLIVE PREMIUM	L52	DEEP WATER DESIGNER COLLECTION
R61	SIERRA PREMIUM	H34	ACADIA GREEN DESIGNER COLLECTION	E62	GRAPHITE DESIGNER COLLECTION
R65	COBBLESTONE PREMIUM	H35	MYRTLE DESIGNER COLLECTION	E69	CARBON DESIGNER COLLECTION
R60	TUMBLEWEED PREMIUM	D32	DOVE GRAY PREMIUM		

Colors are mechanically reproduced. For color accuracy, please see actual product sample.



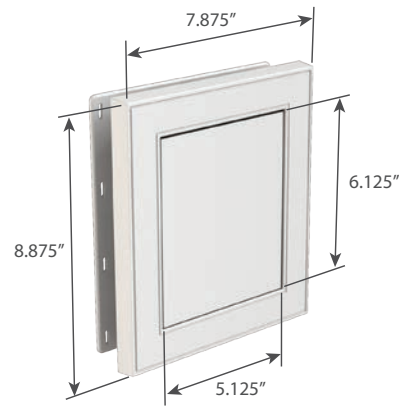
# PRODUCT SPECIFICATIONS

PATENT PENDING  
**BETTER DESIGN | FASTER INSTALLATION**



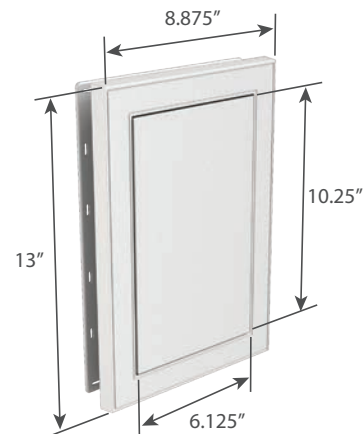
### 4" Hooded Vent

- individually shrink wrapped & boxed
- Pocket depths: 0.75", 1", 1.25", 1.5"
- Net-free area: 12.5 sq in



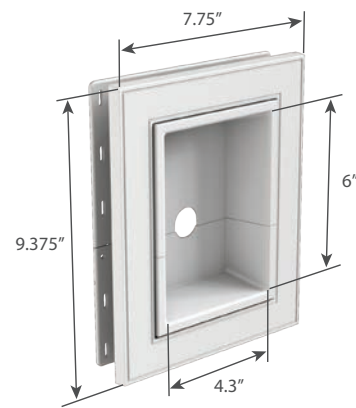
### Standard Mounting Block

- individually shrink wrapped & boxed
- Pocket depths: 0.75", 1", 1.25", 1.5"



### Large Mounting Block

- individually shrink wrapped & boxed
- Pocket depths: 0.75", 1", 1.25", 1.5"



### Split Block

- individually shrink wrapped & boxed
- Pocket depths: 0.75", 1", 1.25", 1.5"



### WIDE SNAP-RING

- Our snap-ring is the widest in the industry, 120% larger than leading competitors. This has a modern look and covers 1.25" (1/4"-3/8" more than the other products on the market). Because the snap ring is wider, cut tolerances are less crucial.

### SPACER TABS

- The snap ring cannot be attached if the siding is too close to the block. Spacer tabs are included in our design to assist the installer in quickly identifying the appropriate distance between the cut siding and the block.

### SNAP-RING GROOVES

- Grooves in the snap ring allow the snap fit arm to be more flexible.

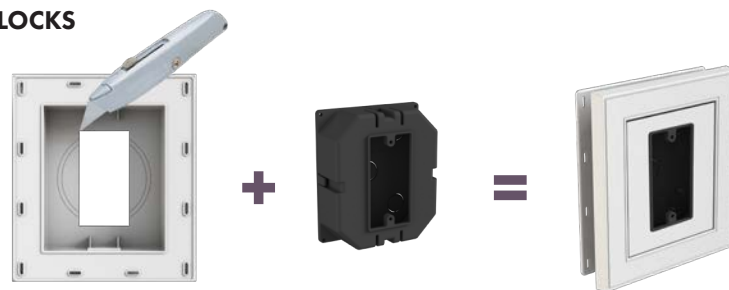
### BIGGER TOOTH

- More flexibility allows for a bigger tooth.

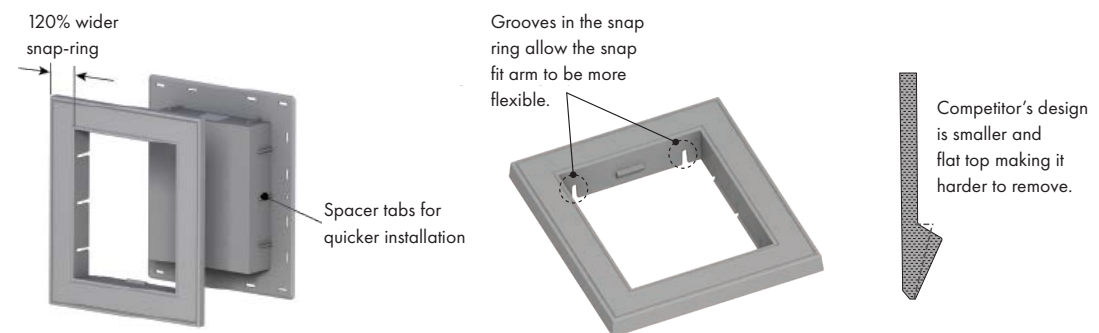
Profile & Color Shown:  
Large Block, White

### EASILY ADD AN ELECTRICAL BOX TO MOUNTING BLOCKS

Our Universal Electrical Box fits inside the Standard and Large Mounting Blocks. The electrical box installs over the wall substrate & house wrap, eliminating the need for a box penetration. Five knock-outs are provided to bring wires inside the box. This is a simpler installation and reduces the chance of moisture penetration.



### SNAP-RING & SPACER TABS + SNAP-RING GROOVES + BIGGER TOOTH = FLAWLESS INSTALLATION





**• THREE POPULAR PROFILES:**

- Raised Panel
- Open Louver
- Board & Batten

**INCLUDES SHUTTER PLUGS AND SCREWS & CAPS**

**AVAILABLE IN THE FOLLOWING STANDARD LENGTHS:**

31, 35, 39, 43, 47, 51, 55, 59, 63, 67, 71, 75, 81

**CUSTOM LENGTHS AVAILABLE:**

28-81" in 0.50" increments



**PAINTABLE SHUTTERS**

- Black Cosmos (050) and Dover White (930) are paintable.
- Please refer to paint instructions.
- Available in all profiles.

**RAISED PANEL**  
14.5" & 12" widths



**OPEN LOUVER**  
14.5" & 12" widths

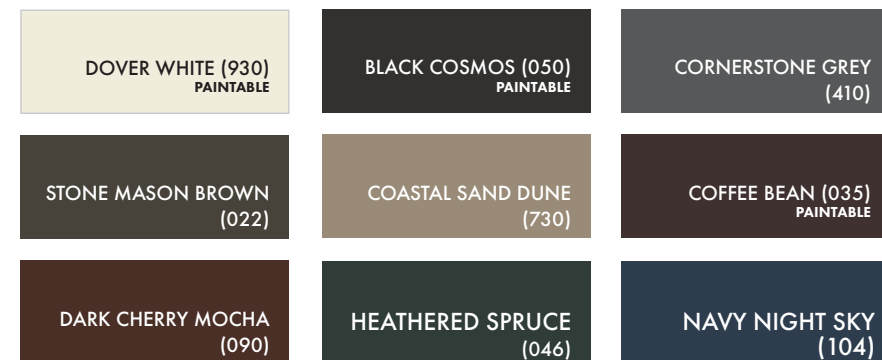


**BOARD & BATTEN**  
4 board (14.5") & 3 board (11") widths



Shutter colors shown are Navy Night Sky (104) and Cornerstone Gray (410)

**9 BEAUTIFUL COLORS**



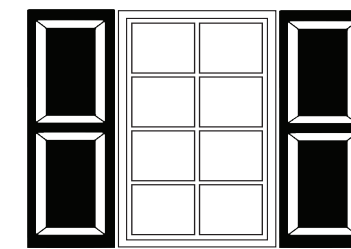
Colors are mechanically reproduced. For color accuracy, please see actual product sample.



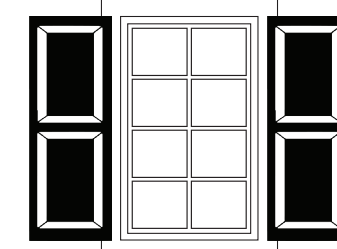
**SELECTING SHUTTER LENGTHS:**

- 13 Standard lengths: **31", 35", 39", 43", 47", 51", 55", 59", 63", 67", 71", 75", 81"**
- Board & Batten has 2 battens on heights **31"-54.5"** and 3 battens on **55" and larger**
- Custom lengths available between 28-81" in 0.50" increments
- We recommend selecting a shutter size closest to your window size
- When an exact option isn't available, it is recommended to select the largest, closest size

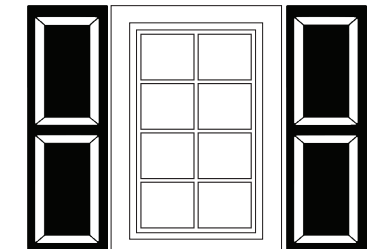
**EXAMPLE SHUTTER SIZES AND POSITIONING**



- Size:**
- Length of window opening
- Position:**
- Outside window opening



- Size:**
- Length of window opening
- Position:**
- Over window trim



- Size:**
- Length of window trim
- Position:**
- Outside window trim

**SELECTING SHUTTER WIDTHS:**

- Choose between the standard 14.5" and 12" for Raised Panel and Open Louver profiles.
- 14.5" and 11" are available in the Board & Batten profile.
- We recommend using the 14.5" width for windows 24" wide and larger.

Smaller Width

14.5" Width



## COMPLEMENT YOUR NEW ACCESSORIES WITH OTHER QUALITY EXTERIOR PRODUCTS



Your home deserves the best. That's why, in addition to siding and accessories, we offer other top quality products to beautify and protect your home. Whether it's entry doors, energy-efficient windows, soffit, trim, or metals, you can rest comfortably knowing you've finished your home with performance products that are among the best the industry has to offer.



VINYL SIDING, SOFFIT & ACCESSORIES

1-800-528-0942

[www.norandex.com](http://www.norandex.com)

[NorandexSupport@pontiacrail.com](mailto:NorandexSupport@pontiacrail.com)