



# NORANDEX™

EXTERIOR PRODUCTS FOR YOUR HOME

*See NEW Premium  
Stainless Steel Micro  
Mesh Gutter Screen  
Pg 24*

**RAINWARE, TRIM COIL,  
& SIDING ACCESSORIES**

**Shawnee Plant**

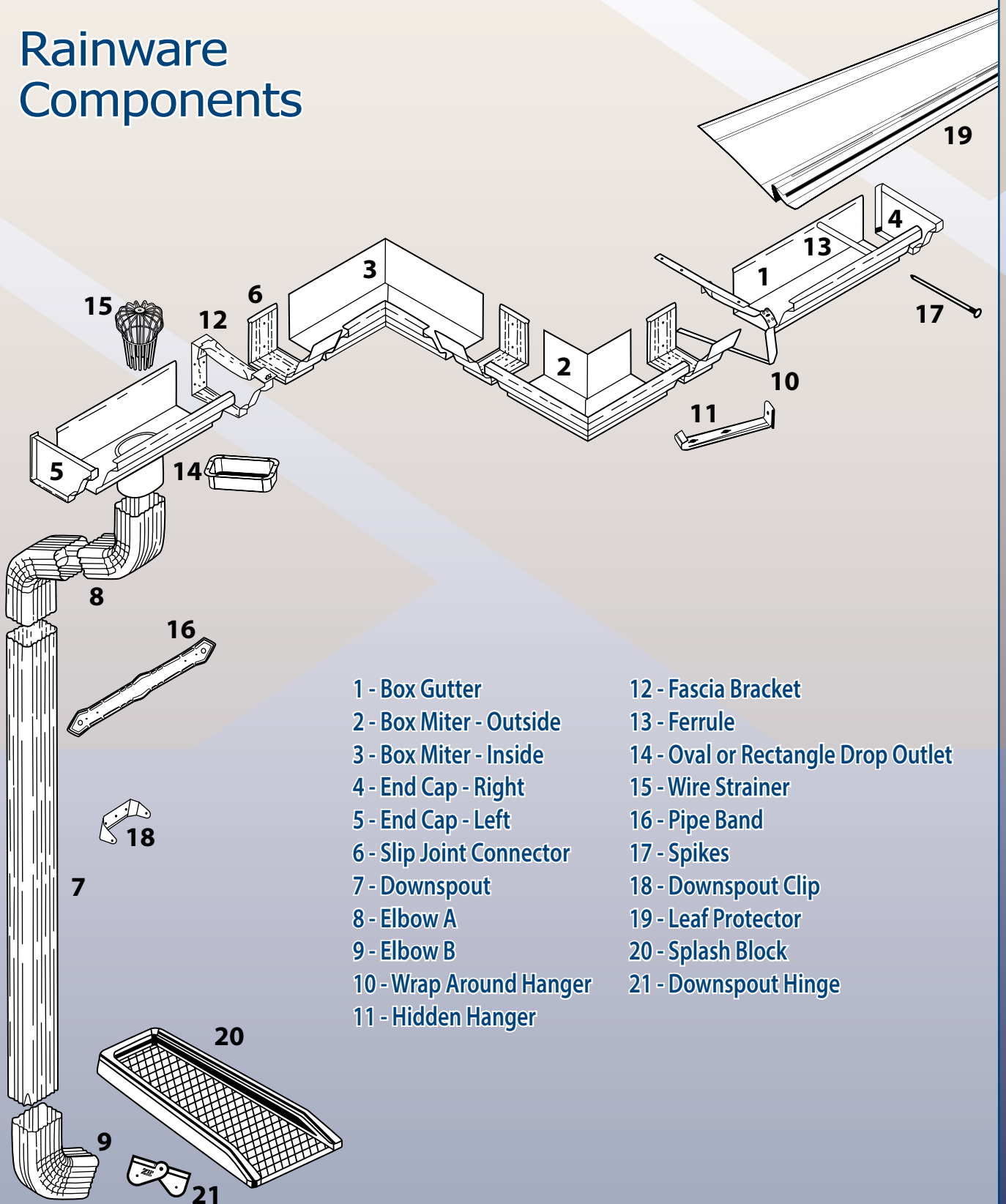
**[www.acm-metals.com](http://www.acm-metals.com)**



# NORANDEX™

EXTERIOR PRODUCTS FOR YOUR HOME

## Rainware Components



- |                          |                                    |
|--------------------------|------------------------------------|
| 1 - Box Gutter           | 12 - Fascia Bracket                |
| 2 - Box Miter - Outside  | 13 - Ferrule                       |
| 3 - Box Miter - Inside   | 14 - Oval or Rectangle Drop Outlet |
| 4 - End Cap - Right      | 15 - Wire Strainer                 |
| 5 - End Cap - Left       | 16 - Pipe Band                     |
| 6 - Slip Joint Connector | 17 - Spikes                        |
| 7 - Downspout            | 18 - Downspout Clip                |
| 8 - Elbow A              | 19 - Leaf Protector                |
| 9 - Elbow B              | 20 - Splash Block                  |
| 10 - Wrap Around Hanger  | 21 - Downspout Hinge               |
| 11 - Hidden Hanger       |                                    |



**Table of Contents**

**Gutter Coil Conversion Chart ..... 2**

**Gutters ..... 3-4**  
 Gutter Coil ..... 3  
 Spin Down Gutter Coil ..... 4

**Downspouts ..... 5**

**Elbows..... 6-7**

**Variable Degree Elbows..... 8**

**Offsets ..... 9-10**

**Conductor Heads ..... 10**

**Downspout Accessories..... 11-12**  
 Outlets ..... 11  
 Wire Strainers ..... 11  
 PVC Adapters ..... 11  
 Y Adapters ..... 11  
 Y Diverters ..... 12  
 Funnels ..... 12  
 Downspout Bands/Straps ..... 12  
 Downspout Clips ..... 12  
 Downspout Hinges ..... 12  
 Splash Blocks ..... 12

**Miters ..... 13**  
 Extreme™ Miters ..... 13  
 Box Miters ..... 13  
 Bay Miters ..... 13

**Strip Miters & Joints ..... 14**  
 Strip Miters ..... 14  
 Expansion Joints ..... 14  
 Slip Joints ..... 14

**End Caps ..... 15**

**Hangers..... 16-18**  
 Hidden ..... 16  
 Wrap Around ..... 17  
 T-Bar ..... 17  
 Vampire ..... 17  
 Hangers with Screws ..... 18

**Rainware Accessories..... 18-19**  
 T-Wedges & Gutter Wedges ..... 18  
 Spikes ..... 18  
 Ferrules ..... 19  
 Fascia Brackets ..... 19  
 Drive Pins ..... 19

**Round/Half Round Products ..... 20**  
 Half Round Gutters ..... 20  
 Round Downspouts ..... 20

**Round/Half Round Products ..... 21-23**  
 Round Elbows ..... 21  
 Round Offsets ..... 21  
 Half Round Outlets ..... 22  
 Half Round Miters ..... 22  
 Half Round Slip Joints ..... 22  
 Half Round End Caps ..... 22  
 Half Round Brackets ..... 23  
 Half Round Hidden Hangers ..... 23  
 Half Round T-Wedge Hangers ..... 23

**Gutter Protection..... 24-25**  
 Gutter Protection Screen Systems ..... 24  
 Gutter Protection Perforated ..... 25  
 & Cover Systems  
 Gutter Protection & Accessories ..... 26

**Trim Coil Offering ..... 27-28**  
 Norandex™ - Smooth, Wood Grain, PVC ..... 27  
 Pella® Window Trim Comp. - Smooth, W.G., PVC .... 27  
 Mastic Comparable - Smooth, Wood Grain, PVC ..... 27  
 James Hardie Comparable - Smooth, Wood Grain, PVC 27  
 Certainteed Comparable - Smooth, Wood Grain, PVC .. 28  
 Exterior Portfolio Comp. - Smooth, Wood Grain, PVC... 28  
 Variform Comparable - Smooth, Wood Grain, PVC .. 28  
 Royal Comparable - Smooth, Wood Grain, PVC ..... 28  
 Textured, Mar-Resistant Window Trim Coil ..... 28  
 Specialty Coils ..... 28  
 Allura™ ColorMax® Comp. - Smooth, Wood Grain, PVC. 29  
 LP® Siding SmartSide® Comp. - Smooth, W.G., PVC.. 29

**Fascia ..... 30-31**  
 4" Fascia ..... 30  
 6" Fascia ..... 30  
 8" Fascia ..... 30  
 10" Fascia ..... 31

**Soffit ..... 32**  
 12" Premium Hidden Vent Soffit ..... 32  
 12" Double 6 D6 Soffit ..... 32  
 12" Soffit ..... 32  
 16" Soffit ..... 32

**Siding Accessories..... 33-35**  
 F-Channel ..... 33  
 J-Channel ..... 33  
 Miter Divider ..... 33  
 Siders Edge ..... 34  
 Starter Strip ..... 34  
 Z-Flashing ..... 34  
 Drip Cap ..... 35

**Norandex™ Aluminum Warranty ..... 36**

**Norandex™ Steel Warranty ..... 37**

**Norandex™ Trim Coil Color Swatches ..... 39**

PROUDLY FINISHED WITH

**SHERWIN-WILLIAMS.**

*Coil Coatings*

**To place orders for metal products, please call:**

Shawnee Plant Customer Service: **Ph 877-279-5096 • Fax 608-365-0493**

[www.acm-metals.com](http://www.acm-metals.com)

For siding and window inquiries, please call Norandex™ Corporate Customer Service at **800-528-0942**



## Gutter Coil Conversion Factors

(Determining Feet to Weight)

Coil Width	Material Thickness	Conversion Multiplier Formula			
11-3/4"	.027" Alum.	lin. ft. _____	X	.377 = _____	# lbs.
11-7/8"	.027" Alum.	lin. ft. _____	X	.380 = _____	# lbs.
14"	.027" Alum.	lin. ft. _____	X	.453 = _____	# lbs.
15"	.027" Alum.	lin. ft. _____	X	.476 = _____	# lbs.
11-3/4"	.032" Alum.	lin. ft. _____	X	.446 = _____	# lbs.
11-7/8"	.032" Alum.	lin. ft. _____	X	.450 = _____	# lbs.
13"	.032" Alum.	lin. ft. _____	X	.500 = _____	# lbs.
15"	.032" Alum.	lin. ft. _____	X	.571 = _____	# lbs.
18"	.032" Alum.	lin. ft. _____	X	.678 = _____	# lbs.
11-7/8"	26 ga. Steel	lin. ft. _____	X	.768 = _____	# lbs.
12"	26 ga. Steel	lin. ft. _____	X	.775 = _____	# lbs.
13"	26 ga. Steel	lin. ft. _____	X	.839 = _____	# lbs.
14"	26 ga. Steel	lin. ft. _____	X	.904 = _____	# lbs.
15"	26 ga. Steel	lin. ft. _____	X	.969 = _____	# lbs.
19"	26 ga. Steel	lin. ft. _____	X	1.23 = _____	# lbs.
11-7/8"	26 ga. Galvalume	lin. ft. _____	X	.72 = _____	# lbs.
15"	26 ga. Galvalume	lin. ft. _____	X	.90 = _____	# lbs.
11-7/8"	16 oz. Copper	lin. ft. _____	X	.99 = _____	# lbs.
15"	16 oz. Copper	lin. ft. _____	X	1.25 = _____	# lbs.

To process an order for a spin down quantity, determine the number of pounds based on the requested footage by the contractor. Enter the number of pounds on the ticket noting the required footage. After spinning down the required coil footage, re-weigh the coil to verify the actual pounds of coil taken out of inventory. Note the actual weight in shipped column of the ticket. Update the tickets to adjust the invoice accordingly. This process ensures proper invoicing and accurate inventory levels.

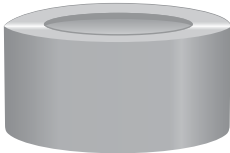
These coils are cut from master coils which are slightly thicker in the middle to avoid oil canning during the painting process. The gauge can vary slightly depending on where the coil was cut from the master coil. Inventory will vary if the product is sold by footage and not weight. Remember, product is purchased by the pound. Re-weighing is necessary for accuracy.

### A NOTE ABOUT COLOR SELECTION

NORANDEX™ provides color chip cards which show a close representation of the color. The purpose of color chip cards is to narrow down the homeowner choice of colors. Depending upon the substrate, the final selection should always be based on either an aluminum or steel color tile fan deck, viewed in full sunlight.

Metallic colors, such as Copper Penny (CP), Bronze (BZ), Rustic Copper (M2), and Weathered Bronze (WB), have mica (refractive) or aluminum (reflective) flakes added to the paint finish. The color of different products may be the same (as measured on a colorimeter), but the visual appearance may look slightly different when viewed from different angles and varying amount of sunlight. This is a normal occurring phenomenon and is due the chance positioning of the mica and aluminum flakes when added to the paint finish.



Gutter Coil	Part #	Description	Colors	Nom. Gauge/ Thickness	Rolls/ Pallet	
	AGC21134 - -	Aluminum 11-3/4" Coil	(Listed Below)	0.027	3	
	AGC21134M2	Aluminum 11-3/4" Coil	M2 (Premium Color)	0.027	3	
	AGC21178 - -	Aluminum 11-7/8" Coil	(Listed Below)	0.027	3	
	AGC21178M2	Aluminum 11-7/8" Coil	M2 (Premium Color)	0.027	3	
	AGC215 - -	Aluminum 15" Coil	(Listed Below)	0.027	2	
	AGC215M2	Aluminum 15" Coil	M2 (Premium Color)	0.027	2	
	AGC31134 - -	Aluminum 11-3/4" Coil	(Listed Below)	0.032	3	
	AGC31134M2	Aluminum 11-3/4" Coil	M2 (Premium Color)	0.032	3	
	AGC31178 - -	Aluminum 11-7/8" Coil	(Listed Below)	0.032	3	
	AGC31178M2	Aluminum 11-7/8" Coil	M2 (Premium Color)	0.032	3	
	AGC315 - -	Aluminum 15" Coil	(Listed Below)	0.032	2	
	AGC315M2	Aluminum 15" Coil	M2 (Premium Color)	0.032	2	
	*AGC318 - - -	Aluminum 18" Coil	BZ/FR, RB/WH	0.032	2	
	<i>*18" Gutter Coil cannot be sold in spin down quantities.</i>					
	GGC114 - -	Galv. 11-7/8" Coil	PR, WH		26 ga	2
	GGC114 - - - -	Galv. 11-7/8" Coil	BB/WH, CC/WH, CG/HG, DS/WH, EG/WH, ES/BZ, HV/WH, MB/WH, PC/WH, RB/WH, RW/BK, TA/CU, VG/WH, WI/WH		26 ga	2
	GGC154 - -	Galv.15" Coil	PR, WH		26 ga	2
	GGC154 - - - -	Galv.15" Coil	BB/WH, CC/WH, CG/HG, DS/WH, EG/WH, ES/BZ, HV/WH, MB/WH, PC/WH, RB/WH, RW/BK, TA/CU, VG/WH, WI/WH		26 ga	2

**NOTE:** Rustic Copper (M2) accessories, including miters and end caps, may display paint finish variations due to the metallic painting process, which may affect matching components.

**Rainware & Accessories Aluminum Colors | ●=Color-Thru System™**

COLOR	CODE	COLOR	CODE	COLOR	CODE	COLOR	CODE	COLOR	CODE
● NX ALMOND	AD	● CHARCOAL GREY	CG	● NX GRANITE	GG	PG METALLIC	M3	● NX SIERRA CLAY	SI
● ALMOND	AL	● CLASSIC CREAM	CC	● HARBOR GREY	HG	● REDWOOD	RW	● NX SILVER/SILVER GREY*	SG
● ANTIQUE IVORY	AI	● COPPER PENNY*	CP	● HERRINGBONE	HN	● ROYAL BROWN	RB	● NX TAN*	TN
● BEAVER BROWN	BB	● COUNTRY BLUE	CU	● JEFFERSON TAN	JT	● NX RUSSET	RT	● TERRA BRONZE	TB
● BLACK	BK	● DESERT SAND	DS	● NX LINEN	LN	★RUSTIC COPPER	M2	● VICTORIAN GREY*	VG
● BRONZE	BZ	● NX DUNE	CD	● LINEN	LI	SAGE*	SA	● VILLAGE GREEN	VI
● BROOKSTONE*	BS	● EGG SHELL*	ES	● MONTANA SUEDE	MS	● NX SAND	SD	● WICKER	WI
● BUCKSKIN	BU	● EVEREST	EV	● MUSKET BROWN	MB	● NX SAND STONE	SS	● 30 WHITE	WH
● CAMEO	CA	● EVERGREEN	EG	● NORWEGIAN WOOD	NW	● SANDTONE	ST	● 80 WHITE	80
● NX CHAMPAGNE	CH	● FROST	FR	● PEBBLESTONE CLAY	PC				

**\*Not available - .027:** ●11-3/4" CP, TN ●11-7/8" SA, SG ●15" SA, TN  
**.032:** ●11-3/4" AD, BS, ES, SA, VG

**\*Rustic Copper is a PREMIUM color. NOTE:** Rustic Copper (M2) accessories, including miters and end caps, may display paint finish variations due to the metallic painting process, which may affect matching components.


**Rainware Steel Colors:**

COLOR	CODE	COLOR	CODE	COLOR	CODE	COLOR	CODE	COLOR	CODE
BEAVER BROWN	BB	CLASSIC CREAM	CC	EVERGREEN	EG	PEBBLESTONE CLAY	PC	TAHOE BLUE	TA
BLACK	BK	COUNTRY BLUE	CU	HARBOR GREY	HG	PRIME	PR	VICTORIAN GREY	VG
BRONZE	BZ	DESERT SAND	DS	HARVEST BROWN	HV	REDWOOD	RW	WICKER	WI
CHARCOAL GREY	CG	EGGSHELL	ES	MUSKET BROWN	MB	ROYAL BROWN	RB	30 WHITE	WH



# NORANDEX™ Gutters


SHAWNEE PLANT

Spin Down Gutter Coil		Part #	Description	Colors	Nom. Gauge/ Thickness	Pieces/ Pound	
	ASC21134 - -	Aluminum 11-3/4" Coil	(Listed Below)	0.027	Order by the lb.		
	ASC21178 - -	Aluminum 11-7/8" Coil	(Listed Below)	0.027	Order by the lb.		
	ASC21178M2	Aluminum 11-7/8" Coil	M2 (Premium Color)	0.027	Order by the lb.		
	ASC215 - -	Aluminum 15" Coil	(Listed Below)	0.027	Order by the lb.		
	ASC215M2	Aluminum 15" Coil	M2 (Premium Color)	0.027	Order by the lb.		
	ASC31134 - -	Aluminum 11-3/4" Coil	(Listed Below)	0.032	Order by the lb.		
	ASC31178 - -	Aluminum 11-7/8" Coil	(Listed Below)	0.032	Order by the lb.		
	ASC315 - -	Aluminum 15" Coil	(Listed Below)	0.032	Order by the lb.		
	GSC61178WH	Galvanized 11-7/8" Coil	WH	26 ga	Order by the lb.		
	GSC61178PR	Galvanized 11-7/8" Coil	PR	26 ga	Order by the lb.		
	GSC611 - - - -	Galvanized 11-7/8" Coil	BB/WH, CC/WH, CG/HG, DS/WH, EG/WH, ES/BZ, HV/WH, MB/WH, PC/WH, RB/WH, RW/BK, TA/CU, VG/WH, WI/WH	26 ga	Order by the lb.		
	GSC154 - -	Galvanized 15" Coil	PR, WH	26 ga	Order by the lb.		
	GSC154 - - - -	Galvanized 15" Coil	BB/WH, CC/WH, CG/HG, DS/WH, EG/WH, ES/BZ, HV/WH, MB/WH, PC/WH, RB/WH, RW/BK, TA/CU, VG/WH, WI/WH	26 ga	Order by the lb.		
LSC61178	Galvalume 11-7/8" Coil	Mill	26 ga	Order by the lb.			
LSC615	Galvalume 15" Coil	Mill	26 ga	Order by the lb.			
CSC21178	Copper 11-7/8" Coil	Copper	16 oz	Order by the lb.			
CSC215	Copper 15" Coil	Copper	16 oz	Order by the lb.			

**Note: Min. of 25 lbs./Max. of 150 lbs.**

*As an extra service, we'll spin down small quantities of a slow moving color on a special order basis. Minimum quantity is 25 lbs.*

*Please note, once order is activated, no returns or changes can be made.*

Pipe Strap Coil		Part #	Description	Colors	Nom. Gauge/ Thickness	Pieces/ Pound
	GDSS6125 - -	Galvanized 1-1/4" Pipe Strap	(Listed Below)	26 ga	Order by the lb. (100 lb. minimum)	

## Rainware & Accessories Aluminum Colors | ● = Color-Thru System™

COLOR	CODE	COLOR	CODE	COLOR	CODE	COLOR	CODE	COLOR	CODE
● NX ALMOND	AD	● CHARCOAL GREY	CG	● NX GRANITE	GG	PG METALLIC	M3	● NX SIERRA CLAY	SI
● ALMOND	AL	● CLASSIC CREAM	CC	● HARBOR GREY	HG	● REDWOOD	RW	● NX SILVER/SILVER GREY*	SG
ANTIQUE IVORY	AI	COPPER PENNY*	CP	HERRINGBONE	HN	● ROYAL BROWN	RB	● NX TAN*	TN
● BEAVER BROWN	BB	● COUNTRY BLUE	CU	JEFFERSON TAN	JT	● NX RUSSET	RT	● TERRA BRONZE	TB
● BLACK	BK	● DESERT SAND	DS	● NX LINEN	LN	★ RUSTIC COPPER	M2	● VICTORIAN GREY*	VG
● BRONZE	BZ	● NX DUNE	CD	● LINEN	LI	SAGE*	SA	VILLAGE GREEN	VI
BROOKSTONE*	BS	EGG SHELL*	ES	MONTANA SUEDE	MS	● NX SAND	SD	● WICKER	WI
● BUCKSKIN	BU	EVEREST	EV	● MUSKET BROWN	MB	● NX SAND STONE	SS	● 30 WHITE	WH
● CAMEO	CA	● EVERGREEN	EG	● NORWEGIAN WOOD	NW	● SANDTONE	ST	80 WHITE	80
● NX CHAMPAGNE	CH	FROST	FR	● PEBBLESTONE CLAY	PC				

**\*Not available** - **.027:** ●11-3/4" CP                      ●11-7/8" SA, SG                      ●15" ES, SA  
**.032:** ●11-3/4" AD, ES, SA, VG

**\*Rustic Copper is a PREMIUM color. NOTE:** Rustic Copper (M2) accessories, including miters and end caps, may display paint finish variations due to the metallic painting process, which may affect matching components.

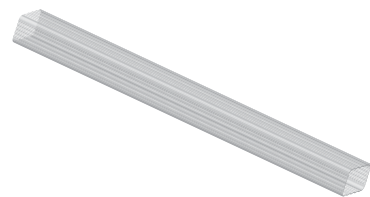
## Rainware Steel Colors:

COLOR	CODE	COLOR	CODE	COLOR	CODE	COLOR	CODE	COLOR	CODE
BEAVER BROWN	BB	CLASSIC CREAM	CC	EVERGREEN	EG	PEBBLESTONE CLAY	PC	TAHOE BLUE	TA
BLACK	BK	COUNTRY BLUE	CU	HARBOR GREY	HG	PRIME	PR	VICTORIAN GREY	VG
BRONZE	BZ	DESERT SAND	DS	HARVEST BROWN	HV	REDWOOD	RW	WICKER	WI
CHARCOAL GREY	CG	EGGSHELL	ES	MUSKET BROWN	MB	ROYAL BROWN	RB	30 WHITE	WH

# NORANDEX™ Downspouts

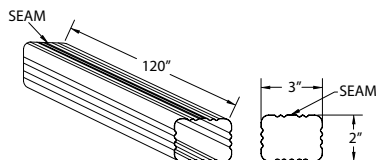
SHAWNEE PLANT

## Downspouts

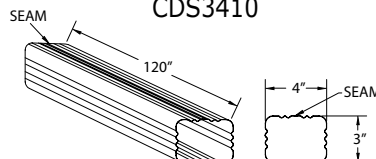


Part #	Description	Colors	Nom. Gauge/ Thickness	Piece Length	Pieces/ Box	Boxes/ Pallet
ADS238 - -	Aluminum 2 x 3 x 8' DS	(Listed Below)	0.019	8'	10	28
ADS238M2	Aluminum 2 x 3 x 8' DS	M2 (Premium Color)	0.019	8'	10	28
ADS2310 - -	Aluminum 2 x 3 x 10' DS	(Listed Below)	0.019	10'	10	28
ADS2310M2	Aluminum 2 x 3 x 10' DS	M2 (Premium Color)	0.019	10'	10	28
ADS2311 - -	Aluminum 2 x 3 x 11' DS	(Listed Below)	0.019	11'	10	28
ADS348 - -	Aluminum 3 x 4 x 8' DS	(Listed Below)	0.019	8'	10	15
ADS348M2	Aluminum 3 x 4 x 8' DS	M2 (Premium Color)	0.019	8'	10	15
ADS3410 - -	Aluminum 3 x 4 x 10' DS	(Listed Below)	0.019	10'	10	15
ADS3410M2	Aluminum 3 x 4 x 10' DS	M2 (Premium Color)	0.019	10'	10	15
ADS23410 - -	Aluminum 3 x 4 x 10' DS	AL, BK, BZ, CA, CG, CC, EG, FR, MB, NW, PC, RW, RB, SI, TB, WH, 80, WI	0.024	10'	10	15
ADS24510 - -	Aluminum 4 x 5 x 10' DS	AL, AI, BK, BZ, CC, CG, ES, FR, MB, RB, ST, SI, TB, WH, 80, WI	0.027	10'	6	15

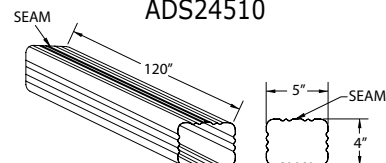
ADS2310, CDS2310



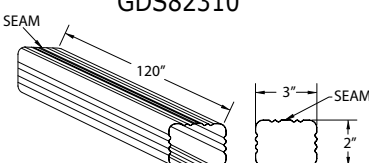
ADS3410, ADS23410, CDS3410



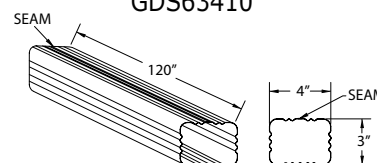
ADS24510



GDS82310



GDS63410



GDS8238 - -	Galvanized 2 x 3 x 8' Corrugated	(Steel Colors)	28 ga	8'	10	
GDS8238PR	Galvanized 2 x 3 x 8' Corrugated	Prime	28 ga	8'	10	
GDS82310 - -	Galvanized 2 x 3 x 10' Corrugated	(Steel Colors)	28 ga	10'	10	
GDS82310PR	Galvanized 2 x 3 x 10' Corrugated	Prime	28 ga	10'	10	
GDS82310ML	Galvanized 2 x 3 x 10' Corrugated	Mill	28 ga	10'	10	
GDS63410 - -	Galvanized 3 x 4 Corrugated	(Steel Colors)	26 ga	10'	5	
GDS63410PR	Galvanized 3 x 4 Corrugated	Prime	26 ga	10'	5	
GDS63410ML	Galvanized 3 x 4 Corrugated	Mill	26 ga	10'	5	
LDS238	Galvalume 2 x 3 x 8' DS	Mill	26 ga	10'	10	
LDS2310	Galvalume 2 x 3 x 10' DS	Mill	26 ga	10'	10	
LDS348	Galvalume 3 x 4 x 8' DS	Mill	26 ga	10'	10	
LDS3410	Galvalume 3 x 4 x 10' DS	Mill	26 ga	10'	5	
CDS2310	Copper 2 x 3 x 10' DS	Copper	10 oz	10'	Order by the pc.	
CDS3410	Copper 3 x 4 x 10' DS	Copper	10 oz	10'	Order by the pc.	

## Rainware & Accessories Aluminum Colors | ●=Color-Thru System™

COLOR	CODE	COLOR	CODE	COLOR	CODE	COLOR	CODE	COLOR	CODE
● NX ALMOND	AD	● CHARCOAL GREY	CG	● NX GRANITE	GG	PG METALLIC	M3	● NX SIERRA CLAY	SI
● ALMOND	AL	● CLASSIC CREAM	CC	● HARBOR GREY	HG	● REDWOOD	RW	● NX SILVER/SILVER GREY*	SG
● ANTIQUE IVORY	AI	● COPPER PENNY*	CP	● HERRINGBONE	HN	● ROYAL BROWN	RB	● NX TAN*	TN
● BEAVER BROWN	BB	● COUNTRY BLUE	CU	● JEFFERSON TAN	JT	● NX RUSSET	RT	● TERRA BRONZE	TB
● BLACK	BK	● DESERT SAND	DS	● NX LINEN	LN	★RUSTIC COPPER	M2	● VICTORIAN GREY*	VG
● BRONZE	BZ	● NX DUNE	CD	● LINEN	LI	● SAGE*	SA	● VILLAGE GREEN	VI
● BROOKSTONE*	BS	● EGG SHELL*	ES	● MONTANA SUEDE	MS	● NX SAND	SD	● WICKER	WI
● BUCKSKIN	BU	● EVEREST	EV	● MUSKET BROWN	MB	● NX SAND STONE	SS	● 30 WHITE	WH
● CAMEO	CA	● EVERGREEN	EG	● NORWEGIAN WOOD	NW	● SANDTONE	ST	● 80 WHITE	80
● NX CHAMPAGNE	CH	● FROST	FR	● PEBBLESTONE CLAY	PC				

\*Rustic Copper is a PREMIUM color. NOTE: Rustic Copper (M2) accessories, including miters and end caps, may display paint finish variations due to the metallic painting process, which may affect matching components.

## Rainware Steel Colors:

COLOR	CODE	COLOR	CODE	COLOR	CODE	COLOR	CODE	COLOR	CODE
BEAVER BROWN	BB	CLASSIC CREAM	CC	EVERGREEN	EG	PEBBLESTONE CLAY	PC	TAHOE BLUE	TA
BLACK	BK	COUNTRY BLUE	CU	HARBOR GREY	HG	PRIME	PR	VICTORIAN GREY	VG
BRONZE	BZ	DESERT SAND	DS	HARVEST BROWN	HV	REDWOOD	RW	WICKER	WI
CHARCOAL GREY	CG	EGGSHELL	ES	MUSKET BROWN	MB	ROYAL BROWN	RB	30 WHITE	WH

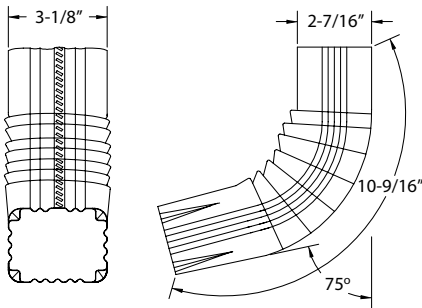


# NORANDEX™ Elbows

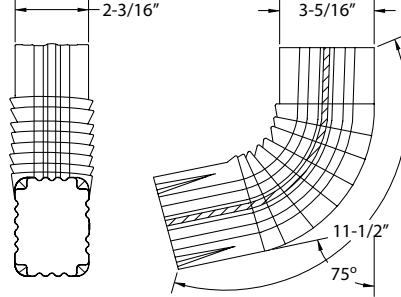
SHAWNEE PLANT

Elbows	Part #	Description	Colors	Nom. Gauge/ Thickness	Piece Length	Pieces/ Box	Boxes/ Pallet
	AAE23 - -	Aluminum 2 x 3 A's	(Listed Below)	0.019	10-9/16"	30	32
	AAE23M2	Aluminum 2 x 3 A's	M2 (Premium Color)	0.019	10-9/16"	30	32
	ABE23 - -	Aluminum 2 x 3 B's	(Listed Below)	0.019	11-1/2"	30	32
	ABE23M2	Aluminum 2 x 3 B's	M2 (Premium Color)	0.019	11-1/2"	30	32
	AAE34 - -	Aluminum 3 x 4 A's	(Listed Below)	0.019	12-3/4"	30	16
	AAE34M2	Aluminum 3 x 4 A's	M2 (Premium Color)	0.019	12-3/4"	30	16
	ABE34 - -	Aluminum 3 x 4 B's	(Listed Below)	0.019	15"	30	16
	ABE34M2	Aluminum 3 x 4 B's	M2 (Premium Color)	0.019	15"	30	16
	AAE234 - -	Aluminum 3 x 4 A's	AL, BK, BZ, CA, CG, CC, EG, FR, MB, NW, PC, RW, RB, SI, TB, WH, 80, WI	0.024	12-3/4"	30	16
	ABE234 - -	Aluminum 3 x 4 B's	AL, BK, BZ, CA, CG, CC, EG, FR, MB, NW, PC, RW, RB, SI, TB, WH, 80, WI	0.024	15"	30	16
	AAE245 - -	Aluminum 4 x 5 A's	AL, AI, BK, BZ, CC, CG, ES, FR, MB, RB, ST, SI, TB, WH, 80, WI	0.027	15-1/2"	9	12
	ABE245 - -	Aluminum 4 x 5 B's	AL, AI, BK, BZ, CC, CG, ES, FR, MB, RB, ST, SI, TB, WH, 80, WI	0.027	15-3/4"	9	12

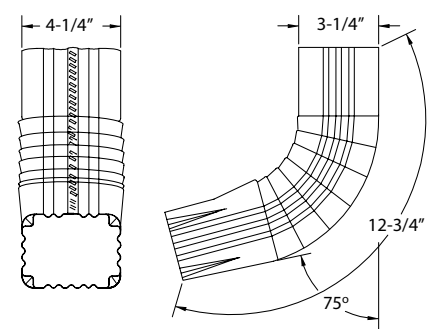
AAE23 A-Elbow



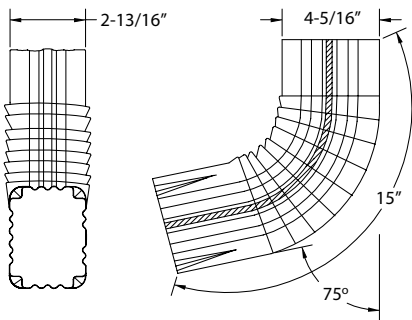
ABE23 B-Elbow



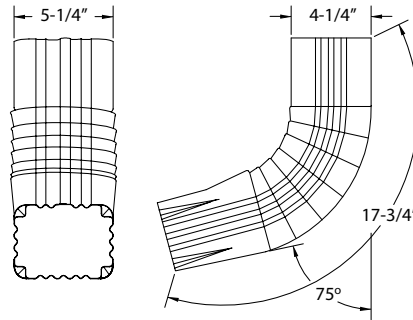
AAE34, AAE234 A-Elbow



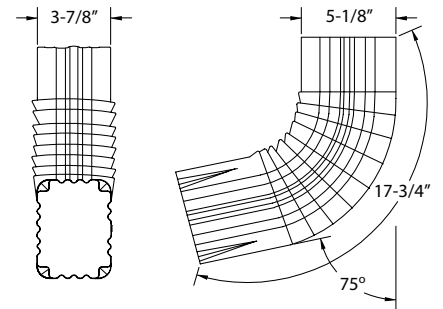
ABE34, ABE234 B-Elbow



AAE245 A-Elbow



ABE245 B-Elbow



## Rainware & Accessories Aluminum Colors | ● = Color-Thru System™

COLOR	CODE	COLOR	CODE	COLOR	CODE	COLOR	CODE	COLOR	CODE
● NX ALMOND	AD	● CHARCOAL GREY	CG	● NX GRANITE	GG	PG METALLIC	M3	● NX SIERRA CLAY	SI
● ALMOND	AL	● CLASSIC CREAM	CC	● HARBOR GREY	HG	● REDWOOD	RW	● NX SILVER/SILVER GREY* SG	SG
● ANTIQUE IVORY	AI	● COPPER PENNY*	CP	● HERRINGBONE	HN	● ROYAL BROWN	RB	● NX TAN*	TN
● BEAVER BROWN	BB	● COUNTRY BLUE	CU	● JEFFERSON TAN	JT	● NX RUSSET	RT	● TERRA BRONZE	TB
● BLACK	BK	● DESERT SAND	DS	● NX LINEN	LN	★RUSTIC COPPER	M2	● VICTORIAN GREY*	VG
● BRONZE	BZ	● NX DUNE	CD	● LINEN	LI	● SAGE*	SA	● VILLAGE GREEN	VI
● BROOKSTONE*	BS	● EGG SHELL*	ES	● MONTANA SUEDE	MS	● NX SAND	SD	● WICKER	WI
● BUCKSKIN	BU	● EVEREST	EV	● MUSKET BROWN	MB	● NX SAND STONE	SS	● 30 WHITE	WH
● CAMEO	CA	● EVERGREEN	EG	● NORWEGIAN WOOD	NW	● SANDTONE	ST	● 80 WHITE	80
● NX CHAMPAGNE	CH	● FROST	FR	● PEBBLESTONE CLAY	PC				

★Rustic Copper is a PREMIUM color. NOTE: Rustic Copper (M2) accessories, including miters and end caps, may display paint finish variations due to the metallic painting process, which may affect matching components.



# NORANDEX™ Elbows

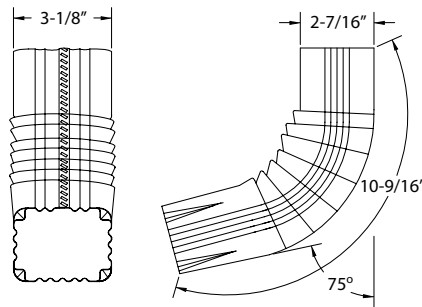
SHAWNEE PLANT

**Elbows cont.**

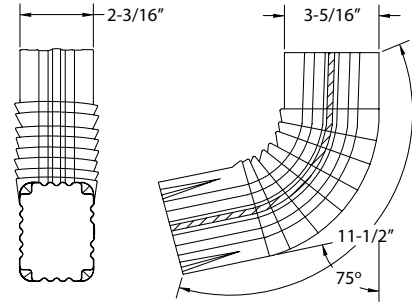


Part #	Description	Colors	Nom. Gauge/ Thickness	Piece Length	Pieces/ Box	Boxes/ Pallet
GAE823 - -	Galv. 2 x 3 A Corrugated	(Steel Colors)	28 ga	10-9/16"	30	32
GBE823 - -	Galv. 2 x 3 B Corrugated	(Steel Colors)	28 ga	11-1/2"	30	32
GAE823PR	Galv. 2 x 3 A Corrugated	Prime	28 ga	10-9/16"	30	32
GBE823PR	Galv. 2 x 3 B Corrugated	Prime	28 ga	11-1/2"	30	32
GAE823ML	Galv. 2 x 3 A Corrugated	Mill	28 ga	10-9/16"	30	32
GBE823ML	Galv. 2 x 3 B Corrugated	Mill	28 ga	11-1/2"	30	32
GAE634 - -	Galv. 3 x 4 A Corrugated	(Steel Colors)	26 ga	12-3/4"	30	16
GBE634 - -	Galv. 3 x 4 B Corrugated	(Steel Colors)	26 ga	15"	30	16
GAE634PR	Galv. 3 x 4 A Corrugated	Prime	26 ga	12-3/4"	30	16
GBE634PR	Galv. 3 x 4 B Corrugated	Prime	26 ga	15"	30	16
GAE634ML	Galv. 3 x 4 A Corrugated	Mill	26 ga	12-3/4"	30	16
GBE634ML	Galv. 3 x 4 B Corrugated	Mill	26 ga	15"	30	16
LAE23	Galvalume 2 x 3 A's	Mill	26 ga	12-3/4"	30	16
LBE23	Galvalume 2 x 3 B's	Mill	26 ga	15"	30	16
LAE34	Galvalume 3 x 4 A's	Mill	26 ga	12-3/4"	30	16
LBE34	Galvalume 3 x 4 B's	Mill	26 ga	15"	30	16
CAE23	Copper 2 x 3 A's	Copper	10 oz	10-9/16"	Order by the pc.	
CBE23	Copper 2 x 3 B's	Copper	10 oz	11-1/2"	Order by the pc.	
CAE34	Copper 3 x 4 A's	Copper	10 oz	12-3/4"	Order by the pc.	
CBE34	Copper 3 x 4 B's	Copper	10 oz	15"	Order by the pc.	

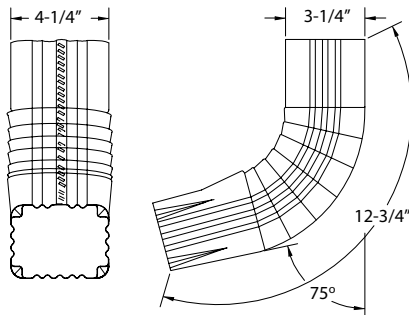
GAE823, CAE23 A-Elbow



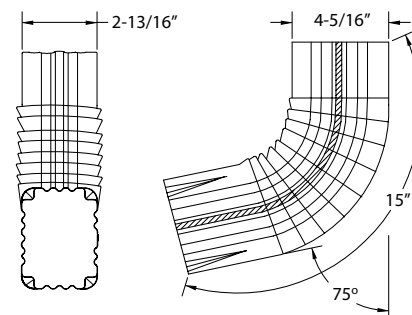
GBE823, CAE23 B-Elbow



GAE634, CAE34 A-Elbow



GBE634, CBE34 B-Elbow



**Rainware Steel Colors:**

COLOR	CODE	COLOR	CODE	COLOR	CODE	COLOR	CODE	COLOR	CODE
BEAVER BROWN	BB	CLASSIC CREAM	CC	EVERGREEN	EG	PEBBLESTONE CLAY	PC	TAHOE BLUE	TA
BLACK	BK	COUNTRY BLUE	CU	HARBOR GREY	HG	PRIME	PR	VICTORIAN GREY	VG
BRONZE	BZ	DESERT SAND	DS	HARVEST BROWN	HV	REDWOOD	RW	WICKER	WI
CHARCOAL GREY	CG	EGGSHELL	ES	MUSKET BROWN	MB	ROYAL BROWN	RB	30 WHITE	WH



# NORANDEX™ Variable Degree Elbows

SHAWNEE PLANT

## Variable Degree Elbows

This chart shows the roof pitch paired to the approximate variable degree elbow.

ROOF PITCH	DEGREE	CRIMP QTY.
Mansard	15°	1
18/12	22°	2
16/12	22°	2
14/12	22°	2
12/12	30°	3
10/12	45°	4
8/12	45°	4
6/12	45°	4
4/12	75°	7

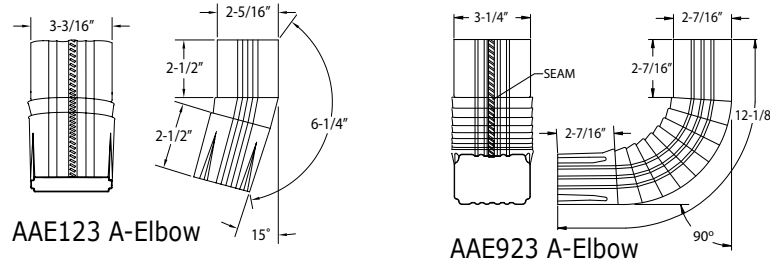
Variable degree elbows are used to go around obstructions (edge jumpers) or transition to the slope of the roof. Number of crimps to create angle can vary with manufacturer.

Part #	Description	Colors	Nom. Gauge/Thickness	Pieces/Box	Boxes/Pallet
AAE123 - -	Aluminum 2 x 3 A's 15°	*(Listed Below)	0.019	30	32
AAE2223 - -	Aluminum 2 x 3 A's 22°	*(Listed Below)	0.019	30	16
AAE323 - -	Aluminum 2 x 3 A's 30°	*(Listed Below)	0.019	30	16
AAE423 - -	Aluminum 2 x 3 A's 45°	*(Listed Below)	0.019	30	16
AAE923 - -	Aluminum 2 x 3 A's 90°	*(Listed Below)	0.019	30	16
AAE134 - -	Aluminum 3 x 4 A's 15°	*(Listed Below)	0.019	30	6
AAE2234 - -	Aluminum 3 x 4 A's 22°	*(Listed Below)	0.019	30	16
AAE334 - -	Aluminum 3 x 4 A's 30°	*(Listed Below)	0.019	30	8
AAE434 - -	Aluminum 3 x 4 A's 45°	*(Listed Below)	0.019	30	16
AAE934 - -	Aluminum 3 x 4 A's 90°	*(Listed Below)	0.019	30	16
AAE2445 - -	Aluminum 4 x 5 A's 45°	*(Listed Below)	0.027	9	20
ABE123 - -	Aluminum 2 x 3 B's 15°	*(Listed Below)	0.019	30	32
ABE2223 - -	Aluminum 2 x 3 B's 22°	*(Listed Below)	0.019	30	16
ABE323 - -	Aluminum 2 x 3 B's 30°	*(Listed Below)	0.019	30	16
ABE423 - -	Aluminum 2 x 3 B's 45°	*(Listed Below)	0.019	30	16
ABE923 - -	Aluminum 2 x 3 B's 90°	*(Listed Below)	0.019	30	16
ABE134 - -	Aluminum 3 x 4 B's 15°	*(Listed Below)	0.019	30	6
ABE2234 - -	Aluminum 3 x 4 B's 22°	*(Listed Below)	0.019	30	16
ABE334 - -	Aluminum 3 x 4 B's 30°	*(Listed Below)	0.019	30	6
ABE434 - -	Aluminum 3 x 4 B's 45°	*(Listed Below)	0.019	30	16
ABE934 - -	Aluminum 3 x 4 B's 90°	*(Listed Below)	0.019	30	16
ABE2445 - -	Aluminum 4 x 5 B's 45°	*(Listed Below)	0.027	9	20
LAE334	Galvalume 3 x 4 A's 30°	Mill	26 ga	30	16
LAE434	Galvalume 3 x 4 A's 45°	Mill	26 ga	30	16

\*Note: Also available in premium color Rustic Copper (M2).

Galvanized 15°, 22°, 30°, & 45° elbows also available in steel colors listed below. Please check color availability with our Customer Service team.

Part #'s for "A" 2 x 3: 15° = GAE8123 - - 22° = GAE82223 - - 30° = GAE8323 - - 45° = GAE8423 - -  
 Part #'s for "B" 2 x 3: 15° = GBE8123 - - 22° = GBE82223 - - 30° = GBE8323 - - 45° = GBE8423 - -  
 Part #'s for "A" 3 x 4: 15° = GAE6134 - - 22° = GAE62234 - - 30° = GAE6334 - - 45° = GAE6434 - -  
 Part #'s for "B" 3 x 4: 15° = GBE6134 - - 22° = GBE62234 - - 30° = GBE6334 - - 45° = GBE6434 - -



## Rainware & Accessories Aluminum Colors | • = Color-Thru System™

COLOR	CODE	COLOR	CODE	COLOR	CODE	COLOR	CODE	COLOR	CODE
• NX ALMOND	AD	• CHARCOAL GREY	CG	• NX GRANITE	GG	PG METALLIC	M3	• NX SIERRA CLAY	SI
• ALMOND	AL	• CLASSIC CREAM	CC	• HARBOR GREY	HG	• REDWOOD	RW	• NX SILVER/SILVER GREY*	SG
• ANTIQUE IVORY	AI	• COPPER PENNY*	CP	• HERRINGBONE	HN	• ROYAL BROWN	RB	• NX TAN*	TN
• BEAVER BROWN	BB	• COUNTRY BLUE	CU	• JEFFERSON TAN	JT	• NX RUSSET	RT	• TERRA BRONZE	TB
• BLACK	BK	• DESERT SAND	DS	• NX LINEN	LN	★RUSTIC COPPER	M2	• VICTORIAN GREY*	VG
• BRONZE	BZ	• NX DUNE	CD	• LINEN	LI	SAGE*	SA	• VILLAGE GREEN	VI
• BROOKSTONE*	BS	• EGG SHELL*	ES	• MONTANA SUEDE	MS	• NX SAND	SD	• WICKER	WI
• BUCKSKIN	BU	• EVEREST	EV	• MUSKET BROWN	MB	• NX SAND STONE	SS	• 30 WHITE	WH
• CAMEO	CA	• EVERGREEN	EG	• NORWEGIAN WOOD	NW	• SANDTONE	ST	• 80 WHITE	80
• NX CHAMPAGNE	CH	• FROST	FR	• PEBBLESTONE CLAY	PC				

★Rustic Copper is a PREMIUM color. NOTE: Rustic Copper (M2) accessories, including miters and end caps, may display paint finish variations due to the metallic painting process, which may affect matching components.

## Rainware Steel Colors:

COLOR	CODE	COLOR	CODE	COLOR	CODE	COLOR	CODE	COLOR	CODE
BEAVER BROWN	BB	CLASSIC CREAM	CC	EVERGREEN	EG	PEBBLESTONE CLAY	PC	TAHOE BLUE	TA
BLACK	BK	COUNTRY BLUE	CU	HARBOR GREY	HG	PRIME	PR	VICTORIAN GREY	VG
BRONZE	BZ	DESERT SAND	DS	HARVEST BROWN	HV	REDWOOD	RW	WICKER	WI
CHARCOAL GREY	CG	EGGSHELL	ES	MUSKET BROWN	MB	ROYAL BROWN	RB	30 WHITE	WH

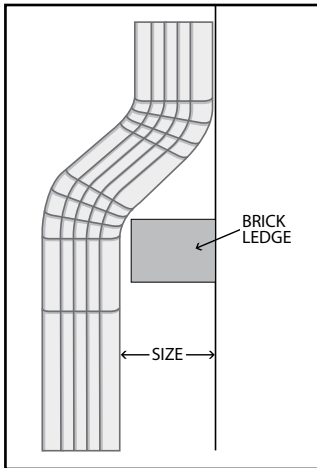




# NORANDEX™ Offsets

SHAWNEE PLANT

## Offsets

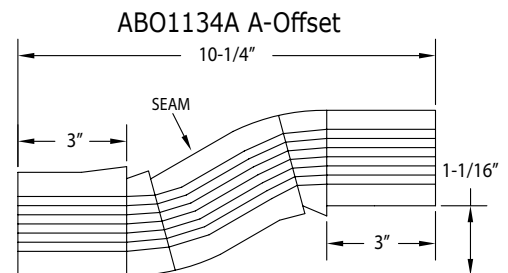
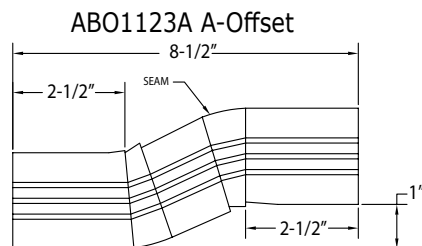


We have several varieties of offset downspout connections to transition gracefully over a brick ledge. You can eliminate the awkward look of a two-piece configuration with our choice of 1" to 6" away-from-the-wall options.

Part #	Description	Colors	Nom. Gauge/ Thickness	Pieces/ Box
ABO2A23A	Alum. Brickledge Offsets (2 pc.) 2 x 3 A's, 4 Crimps 45°	(Listed Below)	0.019	18 pcs/9 sets
ABO2A23B	Alum. Brickledge Offsets (2 pc.) 2 x 3 B's, 3 Crimps 45°	*(Listed Below)	0.019	18 pcs/9 sets
ABO2A34A	Alum. Brickledge Offsets (2 pc.) 3 x 4 A's, 3 Crimps 45°	*(Listed Below)	0.019	18 pcs/9 sets
ABO1123A	Aluminum 2 x 3 - 1" A's	(Listed Below)	0.019	24
ABO1123AM2	Aluminum 2 x 3 - 1" A's	M2 (Premium Color)	0.019	24
ABO1223A	Aluminum 2 x 3 - 2" A's	(Listed Below)	0.019	24
ABO1223AM2	Aluminum 2 x 3 - 2" A's	M2 (Premium Color)	0.019	24
ABO1323A	Aluminum 2 x 3 - 3" A's	(Listed Below)	0.019	24
ABO1323AM2	Aluminum 2 x 3 - 3" A's	M2 (Premium Color)	0.019	24
ABO1423A	Aluminum 2 x 3 - 4" A's	(Listed Below)	0.019	20
ABO1423AM2	Aluminum 2 x 3 - 4" A's	M2 (Premium Color)	0.019	20
ABO1523A	Aluminum 2 x 3 - 5" A's	(Listed Below)	0.019	20
ABO1623A	Aluminum 2 x 3 - 6" A's	(Listed Below)	0.019	20
ABO1134A	Aluminum 3 x 4 - 1" A's	(Listed Below)	0.019	24
ABO1134AM2	Aluminum 3 x 4 - 1" A's	M2 (Premium Color)	0.019	24
ABO1234A	Aluminum 3 x 4 - 2" A's	(Listed Below)	0.019	24
ABO1234AM2	Aluminum 3 x 4 - 2" A's	M2 (Premium Color)	0.019	24
ABO1334A	Aluminum 3 x 4 - 3" A's	(Listed Below)	0.019	24
ABO1334AM2	Aluminum 3 x 4 - 3" A's	M2 (Premium Color)	0.019	24
ABO1434A	Aluminum 3 x 4 - 4" A's	(Listed Below)	0.019	20
ABO1434AM2	Aluminum 3 x 4 - 4" A's	M2 (Premium Color)	0.019	20
ABO1534A	Aluminum 3 x 4 - 5" A's	(Listed Below)	0.019	20
ABO1634A	Aluminum 3 x 4 - 6" A's	(Listed Below)	0.019	20
ABO1634A	Aluminum 3 x 4 - 6" A's	M2, M3 (Premium Colors)	0.019	20
ABO1145A	Aluminum 4 x 5 - 1" A's	AL, AI, BK, BZ, CC, ES, FR, MB, RB, ST, SI, TB, WH, 80, WI	0.027	9
ABO1245A	Aluminum 4 x 5 - 2" A's	AL, AI, BK, BZ, CC, ES, FR, MB, RB, ST, SI, TB, WH, 80, WI	0.027	9
ABO1345A	Aluminum 4 x 5 - 3" A's	AL, AI, BK, BZ, CC, ES, FR, MB, RB, ST, SI, TB, WH, 80, WI	0.027	9
ABO1445A	Aluminum 4 x 5 - 4" A's	AL, AI, BK, BZ, CC, ES, FR, MB, RB, ST, SI, TB, WH, 80, WI	0.027	9
ABO1545A	Aluminum 4 x 5 - 5" A's	AL, AI, BK, BZ, CC, ES, FR, MB, RB, ST, SI, TB, WH, 80, WI	0.027	9
ABO1645A	Aluminum 4 x 5 - 6" A's	AL, AI, BK, BZ, CC, ES, FR, MB, RB, ST, SI, TB, WH, 80, WI	0.027	9

All "A" Offsets also available in "B" profiles.

\*Note: ABO2A34A not available in SI.



## Rainware & Accessories Aluminum Colors | ● = Color-Thru System™

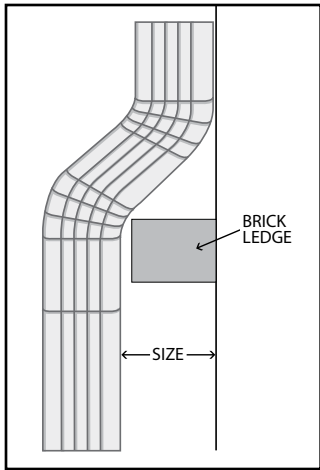
COLOR	CODE	COLOR	CODE	COLOR	CODE	COLOR	CODE	COLOR	CODE
● NX ALMOND	AD	● CHARCOAL GREY	CG	● NX GRANITE	GG	PG METALLIC	M3	● NX SIERRA CLAY	SI
● ALMOND	AL	● CLASSIC CREAM	CC	● HARBOR GREY	HG	● REDWOOD	RW	● NX SILVER/SILVER GREY*	SG
● ANTIQUE IVORY	AI	● COPPER PENNY*	CP	● HERRINGBONE	HN	● ROYAL BROWN	RB	● NX TAN*	TN
● BEAVER BROWN	BB	● COUNTRY BLUE	CU	● JEFFERSON TAN	JT	● NX RUSSET	RT	● TERRA BRONZE	TB
● BLACK	BK	● DESERT SAND	DS	● NX LINEN	LN	★RUSTIC COPPER	M2	● VICTORIAN GREY*	VG
● BRONZE	BZ	● NX DUNE	CD	● LINEN	LI	SAGE*	SA	● VILLAGE GREEN	VI
● BROOKSTONE*	BS	● EGG SHELL*	ES	● MONTANA SUEDE	MS	● NX SAND	SD	● WICKER	WI
● BUCKSKIN	BU	● EVEREST	EV	● MUSKET BROWN	MB	● NX SAND STONE	SS	● 30 WHITE	WH
● CAMEO	CA	● EVERGREEN	EG	● NORWEGIAN WOOD	NW	● SANDTONE	ST	● 80 WHITE	80
● NX CHAMPAGNE	CH	● FROST	FR	● PEBBLESTONE CLAY	PC				

\*Rustic Copper is a PREMIUM color. NOTE: Rustic Copper (M2) accessories, including miters and end caps, may display paint finish variations due to the metallic painting process, which may affect matching components.





## Offsets *cont.*



Part #	Description	Colors	Nom. Gauge/ Thickness	Pieces/ Box	Boxes/ Pallet
GBO1123A	Galvanized 2 x 3 - 1" A's	(Steel Colors)	26 ga	24	32
GBO1223A	Galvanized 2 x 3 - 2" A's	(Steel Colors)	26 ga	24	32
GBO1323A	Galvanized 2 x 3 - 3" A's	(Steel Colors)	26 ga	24	32
GBO1423A	Galvanized 2 x 3 - 4" A's	(Steel Colors)	26 ga	20	32
GBO1234A	Galvanized 3 x 4 - 2" A's	(Steel Colors)	26 ga	24	32
GBO1334A	Galvanized 3 x 4 - 3" A's	(Steel Colors)	26 ga	24	32
GBO1334APR	Galvanized 3 x 4 - 3" A's	Prime	26 ga	24	32
GBO1434A	Galvanized 3 x 4 - 4" A's	(Steel Colors)	26 ga	20	32
GBO1434APR	Galvanized 3 x 4 - 4" A's	Prime	26 ga	20	32
LBO1123A	Galvalume 2 x 3 - 1" A's	Mill	26 ga	24	32
LBO1223A	Galvalume 2 x 3 - 2" A's	Mill	26 ga	24	32
LBO1323A	Galvalume 2 x 3 - 3" A's	Mill	26 ga	24	32
LBO1423A	Galvalume 2 x 3 - 4" A's	Mill	26 ga	24	32
LBO1623A	Galvalume 2 x 3 - 6" A's	Mill	26 ga	24	32
LBO1134A	Galvalume 3 x 4 - 1" A's	Mill	26 ga	24	32
LBO1234A	Galvalume 3 x 4 - 2" A's	Mill	26 ga	24	32
LBO1334A	Galvalume 3 x 4 - 3" A's	Mill	26 ga	24	32
LBO1434A	Galvalume 3 x 4 - 4" A's	Mill	26 ga	24	32
LBO1534A	Galvalume 3 x 4 - 5" A's	Mill	26 ga	24	32
LBO1634A	Galvalume 3 x 4 - 6" A's	Mill	26 ga	24	32
CBO1223A	Copper 2 x 3 - 2" A's	Copper	10 oz	Order by the pc.	
CBO1323A	Copper 2 x 3 - 3" A's	Copper	10 oz	Order by the pc.	
CBO1423A	Copper 2 x 3 - 4" A's	Copper	10 oz	Order by the pc.	
CBO1134A	Copper 3 x 4 - 1" A's	Copper	10 oz	Order by the pc.	
CBO1234A	Copper 3 x 4 - 2" A's	Copper	10 oz	Order by the pc.	
CBO1334A	Copper 3 x 4 - 3" A's	Copper	10 oz	Order by the pc.	
CBO1434A	Copper 3 x 4 - 4" A's	Copper	10 oz	Order by the pc.	
CBO1634A	Copper 3 x 4 - 6" A's	Copper	10 oz	Order by the pc.	

## Conductor Heads



Part #	Description	Colors	Pieces/ Box
ACH3 - -	Aluminum 3" Conductor Head	RB, WH	Order by the pc.
ACH4 - -	Aluminum 4" Conductor Head	RB, WH	Order by the pc.
CCH3 - -	Copper 3" Conductor Head	Copper	Order by the pc.

### Rainware Aluminum Colors:

COLOR	CODE	COLOR	CODE
ROYAL BROWN	RB	WHITE	WH

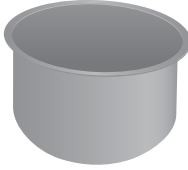
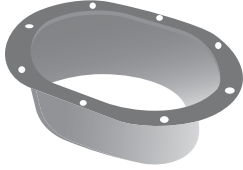
### Rainware Steel Colors:

COLOR	CODE	COLOR	CODE	COLOR	CODE	COLOR	CODE	COLOR	CODE
BEAVER BROWN	BB	CLASSIC CREAM	CC	EVERGREEN	EG	PEBBLESTONE CLAY	PC	TAHOE BLUE	TA
BLACK	BK	COUNTRY BLUE	CU	HARBOR GREY	HG	PRIME	PR	VICTORIAN GREY	VG
BRONZE	BZ	DESERT SAND	DS	HARVEST BROWN	HV	REDWOOD	RW	WICKER	WI
CHARCOAL GREY	CG	EGGSHELL	ES	MUSKET BROWN	MB	ROYAL BROWN	RB	30 WHITE	WH




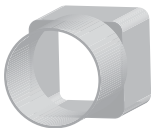
# NORANDEX™ Downspout Accessories

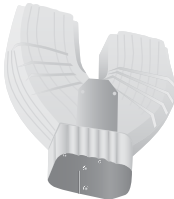
SHAWNEE PLANT

Outlets	Part #	Description	Colors	Nom. Gauge/ Thickness	Pieces/ Box
Round Outlet 	AORE23ML	Aluminum 2 x 3 Rectangle Outlet	*	0.019	30
	AORE34ML	Aluminum 3 x 4 Rectangle Outlet	*	0.019	50
	AEORE34ML	Aluminum 3 x 4 Econ. Rectangle Outlet	*	0.016	50
	AORE45ML	Aluminum 4 x 5 Rectangle Outlet	*	0.019	50
	AORO238ML	Aluminum 2-3/8" Round Outlet	*	0.019	250
	AORO234ML	Aluminum 2-3/4" Round Outlet	*	0.019	250
	AORO338ML	Aluminum 3-3/8" Round Outlet	*	0.019	100
	AOOV23ML	Aluminum 2 x 3 Oval Outlet	*	0.019	30
	AOOV34ML	Aluminum 3 x 4 Oval Outlet	*	0.019	50
	AOOVN34ML	Aluminum 3 x 4 Oval Narrow Flange Outlet	*	0.019	50
Oval Outlet 	GOOV3ML	Galvanized 3" Oval Drop Outlet	Mill	28 ga	50
	GOOV4ML	Galvanized 4" Oval Drop Outlet	Mill	28 ga	50
	CORE23	Copper 2 x 3 Rectangle Outlet	Copper	16 oz	Order by the pc.
	CORE34	Copper 3 x 4 Rectangle Outlet	Copper	16 oz	Order by the pc.

**\*NOTE:** Aluminum outlets made with mill or painted finish per manufacturer's discretion.

Wire Strainers	Part #	Description	Colors	Pieces/ Box
	GWS3	Galvanized 3" Wire Strainer	Mill	50
	GWS4	Galvanized 4" Wire Strainer	Mill	50

PVC Adapters	Part #	Description	Colors	Pieces/ Box
	APVC233WH	PVC 2 x 3 x 3 Flush Mount Adapter	WH	36
	APVC234WH	PVC 2 x 3 x 4 Flush Mount Adapter	WH	22
	APVC234BK	PVC 2 x 3 x 4 Flush Mount Adapter	BK	12
	APVC344WH	PVC 3 x 4 x 4 Flush Mount Adapter	WH	24
	APVC344BK	PVC 3 x 4 x 4 Flush Mount Adapter	BK	12

Y Adapters	Part #	Description	Colors	Nom. Gauge/ Thickness	Pieces/ Box
	AYA23 - -	Aluminum 2 x 3 Y Adapter	RB, WH	0.019	10
	AYA34 - -	Aluminum 3 x 4 Y Adapter	RB, WH	0.019	10

**Rainware Aluminum Colors:**

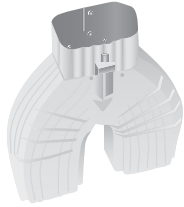
COLOR	CODE	COLOR	CODE	COLOR	CODE
BLACK	BK	ROYAL BROWN	RB	WHITE	WH



# NORANDEX™ Downspout Accessories

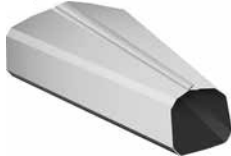
SHAWNEE PLANT

## Y Diverters



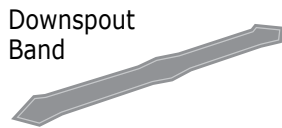
Part #	Description	Colors	Nom. Gauge/ Thickness	Pieces/ Box
AYD23 - -	Aluminum 2 x 3 Y Diverter	RB, WH	0.019	10
AYD34 - -	Aluminum 3 x 4 Y Diverter	RB, WH	0.019	10

## Funnels



Part #	Description	Colors	Nom. Gauge/ Thickness	Pieces/ Box
AFN23 - -	Aluminum 2 x 3 Funnel	RB, WH	0.018	12
AFN34 - -	Aluminum 3 x 4 Funnel	RB, WH	0.018	12

## Downspout Bands/Straps



Part #	Description	Colors	Nom. Gauge/ Thickness	Pieces/ Box
ADSPB34 - -	Universal 3 x 4 DS Band	(Listed Below)	0.019	100
ADSPB34M2	Universal 3 x 4 DS Band	M2 (Premium Color)	0.019	100
GDSPB23 - -	Galv. 2 x 3 Universal DS Band	(Steel Colors)	28 ga	100
GDSPB34 - -	Galv. 3 x 4 Universal DS Band	(Steel Colors)	28 ga	100
GDSPB34PR	Galv. 3 x 4 Universal DS Band	PR	28 ga	100
CDSPB34	Copper 3 x 4 DS Band	Copper	16 oz	Order by the pc.

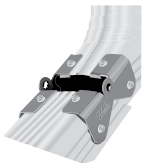
## Downspout Clips



Part #	Description	Colors	Nom. Gauge/ Thickness	Pieces/ Box
ADSCP23 - -	Aluminum 2 x 3 Clip	*(Listed Below)	0.032	100
ADSCP34 - -	Aluminum 3 x 4 Clip	(Listed Below)	0.032	50
ADSCP34M2	Aluminum 3 x 4 Clip	M2 (Premium Color)	0.032	50
CDSCP23	Copper 2 x 3 Clip	Copper	16 oz	Order by the pc.

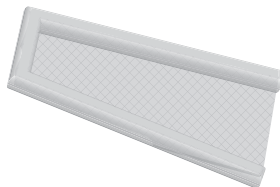
\*Rustic Copper temporarily unavailable in 2 x 3 size DS clip.

## Downspout Hinges



Part #	Description	Colors	Pairs/ Bag	Bags/ Box	Pieces/ Box
AZHWH	Aluminum 2 x 3 / 3 x 4 Zip Hinge	WH	12 pairs	20	240 pairs
GDHA23WH	Galvanized 2 x 3 A Hinge	WH			12
GDHA34WH	Galvanized 3 x 4 A Hinge	WH			12
GDHB23WH	Galvanized 2 x 3 B Hinge	WH			12
GDHB34WH	Galvanized 3 x 4 B Hinge	WH			12

## Splash Blocks



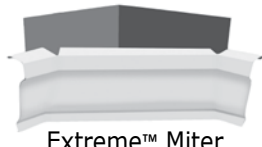
Part #	Description	Colors	Pieces/ Box
SBGN	Splash Block - Green	GN	Order by the pc. 10 pcs./box

## Rainware & Accessories Aluminum Colors | ● = Color-Thru System™

COLOR	CODE	COLOR	CODE	COLOR	CODE	COLOR	CODE	COLOR	CODE
● NX ALMOND	AD	● CHARCOAL GREY	CG	● NX GRANITE	GG	PG METALLIC	M3	● NX SIERRA CLAY	SI
● ALMOND	AL	● CLASSIC CREAM	CC	● HARBOR GREY	HG	● REDWOOD	RW	● NX SILVER/SILVER GREY*	SG
● ANTIQUE IVORY	AI	● COPPER PENNY*	CP	● HERRINGBONE	HN	● ROYAL BROWN	RB	● NX TAN*	TN
● BEAVER BROWN	BB	● COUNTRY BLUE	CU	● JEFFERSON TAN	JT	● NX RUSSET	RT	● TERRA BRONZE	TB
● BLACK	BK	● DESERT SAND	DS	● NX LINEN	LN	★RUSTIC COPPER	M2	● VICTORIAN GREY*	VG
● BRONZE	BZ	● NX DUNE	CD	● LINEN	LI	● SAGE*	SA	● VILLAGE GREEN	VI
● BROOKSTONE*	BS	● EGG SHELL*	ES	● MONTANA SUEDE	MS	● NX SAND	SD	● WICKER	WI
● BUCKSKIN	BU	● EVEREST	EV	● MUSKET BROWN	MB	● NX SAND STONE	SS	● 30 WHITE	WH
● CAMEO	CA	● EVERGREEN	EG	● NORWEGIAN WOOD	NW	● SANDTONE	ST	● 80 WHITE	80
● NX CHAMPAGNE	CH	● FROST	FR	● PEBBLESTONE CLAY	PC				

\*Rustic Copper is a PREMIUM color. NOTE: Rustic Copper (M2) accessories, including miters and end caps, may display paint finish variations due to the metallic painting process, which may affect matching components.

## Extreme™ Miters



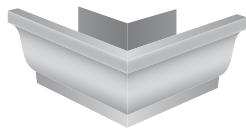
Extreme™ Miter

Part #	Description	Colors	Nom. Gauge/ Thickness	Pieces/ Box
AEM5 - -	Aluminum 5" Extreme™ Miter	RB, WH, 80	0.019	10
AEM6WH	Aluminum 6" Extreme™ Miter	WH	0.019	10

## Box Miters



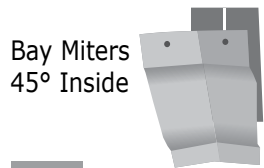
Box Miter Inside



Box Miter Outside

Part #	Description	Colors	Nom. Gauge/ Thickness	Pieces/ Box
ABM5I - -	Aluminum 5" Inside	(Listed Below)	0.019	20
ABM5IM2	Aluminum 5" Inside	M2 (Premium Color)	0.019	20
ABM5O - -	Aluminum 5" Outside	(Listed Below)	0.019	20
ABM5OM2	Aluminum 5" Outside	M2 (Premium Color)	0.019	20
ABM6I - -	Aluminum 6" Inside	(Listed Below)	0.019	20
ABM6IM2	Aluminum 6" Inside	M2 (Premium Color)	0.019	20
ABM6O - -	Aluminum 6" Outside	(Listed Below)	0.019	20
ABM6OM2	Aluminum 6" Outside	M2 (Premium Color)	0.019	20
GBM5I - -	Galvanized 5" Inside	(Steel Colors)	28 ga	20
GBM5IPR	Galvanized 5" Inside	Prime	28 ga	20
GBM5O - -	Galvanized 5" Outside	(Steel Colors)	28 ga	20
GBM5OPR	Galvanized 5" Outside	Prime	28 ga	20
GBM6I - -	Galvanized 6" Inside	RB, WH	28 ga	20
GBM6IPR	Galvanized 6" Inside	Prime	28 ga	20
GBM6O - -	Galvanized 6" Outside	RB, WH	28 ga	20
GBM6OPR	Galvanized 6" Outside	Prime	28 ga	20
LBM6I	Galvalume 6" Inside	Mill	26 ga	20
LBM6O	Galvalume 6" Outside	Mill	26 ga	20
CBM5I	Copper 5" Inside	Copper	16 oz	Order by the pc.
CBM5O	Copper 5" Outside	Copper	16 oz	Order by the pc.
CBM6I	Copper 6" Inside	Copper	16 oz	Order by the pc.
CBM6O	Copper 6" Outside	Copper	16 oz	Order by the pc.

## Bay Miters



Bay Miters  
45° Inside



Bay Miters  
45° Outside

Part #	Description	Colors	Nom. Gauge/ Thickness	Pieces/ Box
ABY5I - -	Aluminum 5" Inside	(Listed Below)	0.019	20
ABY5IM2	Aluminum 5" Inside	M2 (Premium Color)	0.019	20
ABY5O - -	Aluminum 5" Outside	(Listed Below)	0.019	20
ABY5OM2	Aluminum 5" Outside	M2 (Premium Color)	0.019	20
ABY6I - -	Aluminum 6" Inside	(Listed Below)	0.019	20
ABY6IM2	Aluminum 6" Inside	M2 (Premium Color)	0.019	20
ABY6O - -	Aluminum 6" Outside	(Listed Below)	0.019	20
ABY6OM2	Aluminum 6" Outside	M2 (Premium Color)	0.019	20
ABY7I - -	Aluminum 7" Outside	BZ, CC, RB, ST, WH, 80	0.027	20
ABY7O - -	Aluminum 7" Outside	BZ, CC, RB, ST, WH, 80	0.027	20
LBY5I	Galvalume 5" Inside	Mill	26 ga	20
LBY5O	Galvalume 5" Outside	Mill	26 ga	20
LBY6I	Galvalume 6" Inside	Mill	26 ga	20
LBY6O	Galvalume 6" Outside	Mill	26 ga	20
CBY5I	Copper 5" Inside	Copper	16 oz	Order by the pc.
CBY5O	Copper 5" Outside	Copper	16 oz	Order by the pc.
CBY6I	Copper 6" Inside	Copper	16 oz	Order by the pc.
CBY6O	Copper 6" Outside	Copper	16 oz	Order by the pc.

## Rainware & Accessories Aluminum Colors | ●=Color-Thru System™


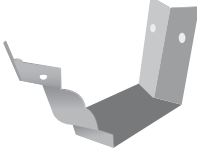
COLOR	CODE	COLOR	CODE	COLOR	CODE	COLOR	CODE	COLOR	CODE
• NX ALMOND	AD	• CHARCOAL GREY	CG	• NX GRANITE	GG	PG METALLIC	M3	• NX SIERRA CLAY	SI
• ALMOND	AL	• CLASSIC CREAM	CC	• HARBOR GREY	HG	• REDWOOD	RW	• NX SILVER/SILVER GREY*	SG
• ANTIQUE IVORY	AI	• COPPER PENNY*	CP	• HERRINGBONE	HN	• ROYAL BROWN	RB	• NX TAN*	TN
• BEAVER BROWN	BB	• COUNTRY BLUE	CU	• JEFFERSON TAN	JT	• NX RUSSET	RT	• TERRA BRONZE	TB
• BLACK	BK	• DESERT SAND	DS	• NX LINEN	LN	★RUSTIC COPPER	M2	• VICTORIAN GREY*	VG
• BRONZE	BZ	• NX DUNE	CD	• LINEN	LI	SAGE*	SA	• VILLAGE GREEN	VI
• BROOKSTONE*	BS	• EGG SHELL*	ES	• MONTANA SUEDE	MS	• NX SAND	SD	• WICKER	WI
• BUCKSKIN	BU	• EVEREST	EV	• MUSKET BROWN	MB	• NX SAND STONE	SS	• 30 WHITE	WH
• CAMEO	CA	• EVERGREEN	EG	• NORWEGIAN WOOD	NW	• SANDTONE	ST	• 80 WHITE	80
• NX CHAMPAGNE	CH	• FROST	FR	• PEBBLESTONE CLAY	PC				

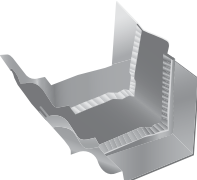
★Rustic Copper is a PREMIUM color. NOTE: Rustic Copper (M2) accessories, including miters and end caps, may display paint finish variations due to the metallic painting process, which may affect matching components. NORANDEX™ PRODUCT CATALOG

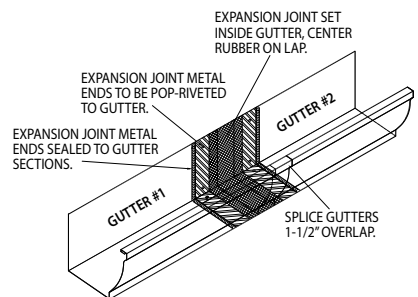


# NORANDEX™ Strip Miters & Joints

SHAWNEE PLANT

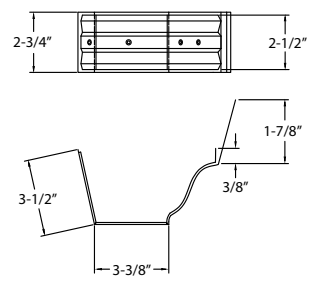
Strip Miters		Part #	Description	Colors	Nom. Gauge/ Thickness	Pieces/ Box
 	ASM5I - -	Aluminum 5" Inside	(Listed Below)	0.027	20	
	ASM5IM2	Aluminum 5" Inside	M2 (Premium Color)	0.027	20	
	ASM5O - -	Aluminum 5" Outside	(Listed Below)	0.027	20	
	ASM5OM2	Aluminum 5" Outside	M2 (Premium Color)	0.027	20	
	ASM6I - -	Aluminum 6" Inside	(Listed Below)	0.027	20	
	ASM6IM2	Aluminum 6" Inside	M2 (Premium Color)	0.027	20	
	ASM6O - -	Aluminum 6" Outside	(Listed Below)	0.027	20	
	ASM6OM2	Aluminum 6" Outside	M2 (Premium Color)	0.027	20	
	ASM7I - -	Aluminum 7" Inside	BZ, CC, RB, ST, WH, 80	0.027	20	
	ASM7O - -	Aluminum 7" Outside	BZ, CC, RB, ST, WH, 80	0.027	20	
	LSM5I	Galvalume 5" Inside	Mill	26 ga	20	
	LSM5O	Galvalume 5" Outside	Mill	26 ga	20	
	LSM6I	Galvalume 6" Inside	Mill	26 ga	20	
	LSM6O	Galvalume 6" Outside	Mill	26 ga	20	
CSM5I	Copper 5" Inside	Copper	16 oz	Order by the pc.		
CSM5O	Copper 5" Outside	Copper	16 oz	Order by the pc.		
CSM6I	Copper 6" Inside	Copper	16 oz	Order by the pc.		
CSM6O	Copper 6" Outside	Copper	16 oz	Order by the pc.		

Expansion Joints		Part #	Description	Colors	Nom. Gauge/ Thickness	Pieces/ Box
	AEJ5ML	Aluminum 5" Expansion Joint	Mill	0.030	12	
	AEJ6ML	Aluminum 6" Expansion Joint	Mill	0.030	12	



A 50' section of gutter can potentially expand almost 2/3 of an inch from winter to summer moving the fasteners back and forth until the gutter falls down. Expansion joints are a preventive measure for excessive movement in the gutter, and should be mounted in place every 50' of exceptionally long gutter runs.

Slip Joints		Part #	Description	Colors	Nom. Gauge/ Thickness	Pieces/ Box
	ASJCS - -	Aluminum 5" Slip Joint	RB, WH	0.019	Order by the pc.	



## Rainware & Accessories Aluminum Colors | ● = Color-Thru System™



COLOR	CODE	COLOR	CODE	COLOR	CODE	COLOR	CODE	COLOR	CODE
● NX ALMOND	AD	● CHARCOAL GREY	CG	● NX GRANITE	GG	PG METALLIC	M3	● NX SIERRA CLAY	SI
● ALMOND	AL	● CLASSIC CREAM	CC	● HARBOR GREY	HG	● REDWOOD	RW	● NX SILVER/SILVER GREY*	SG
● ANTIQUE IVORY	AI	● COPPER PENNY*	CP	● HERRINGBONE	HN	● ROYAL BROWN	RB	● NX TAN*	TN
● BEAVER BROWN	BB	● COUNTRY BLUE	CU	● JEFFERSON TAN	JT	● NX RUSSET	RT	● TERRA BRONZE	TB
● BLACK	BK	● DESERT SAND	DS	● NX LINEN	LN	● *RUSTIC COPPER	M2	● VICTORIAN GREY*	VG
● BRONZE	BZ	● NX DUNE	CD	● LINEN	LI	● SAGE*	SA	● VILLAGE GREEN	VI
● BROOKSTONE*	BS	● EGG SHELL*	ES	● MONTANA SUEDE	MS	● NX SAND	SD	● WICKER	WI
● BUCKSKIN	BU	● EVEREST	EV	● MUSKET BROWN	MB	● NX SAND STONE	SS	● 30 WHITE	WH
● CAMEO	CA	● EVERGREEN	EG	● NORWEGIAN WOOD	NW	● SANDTONE	ST	● 80 WHITE	80
● NX CHAMPAGNE	CH	● FROST	FR	● PEBBLESTONE CLAY	PC				

\*Rustic Copper is a PREMIUM color. NOTE: Rustic Copper (M2) accessories, including miters and end caps, may display paint finish variations due to the metallic painting process, which may affect matching components.



# NORANDEX™ End Caps

SHAWNEE PLANT

End Caps	Part #	Description	Colors	Nom. Gauge/ Thickness	Piece Length	Pieces/ Box
 Right End Cap	AEC5L - -	Aluminum 5" Left End Cap	(Listed Below)	0.019	5"	50
	AEC5LM2	Aluminum 5" Left End Cap	M2 (Premium Color)	0.019	5"	50
	AEC5R - -	Aluminum 5" Right End Cap	(Listed Below)	0.019	5"	50
	AEC5RM2	Aluminum 5" Right End Cap	M2 (Premium Color)	0.019	5"	50
	AEC6L - -	Aluminum 6" Left End Cap	(Listed Below)	0.019	6"	50
	AEC6LM2	Aluminum 6" Left End Cap	M2 (Premium Color)	0.019	6"	50
 Left End Cap	AEC6R - -	Aluminum 6" Right End Cap	(Listed Below)	0.019	6"	50
	AEC6RM2	Aluminum 6" Right End Cap	M2 (Premium Color)	0.019	6"	50
	AEC7L - -	Aluminum 7" Left End Cap	BZ, CC, RB, ST, WH, 80	0.027	7"	50
	AEC7R - -	Aluminum 7" Right End Cap	BZ, CC, RB, ST, WH, 80	0.027	7"	50
	GEC5L - -	Galv. 5" Left End Cap K	BB, BK, BZ, CC, CG, CU, DS, EG, HG, MB, PC, PR, RW, RB, TA, VG, WI, WH	28 ga	5"	50
	GEC5LPR	Galv. 5" Left End Cap K	Prime	28 ga	5"	50
GEC5R - -	Galv. 5" Right End Cap K	BB, BK, BZ, CC, CG, CU, DS, EG, HG, MB, PC, PR, RW, RB, TA, VG, WI, WH	28 ga	5"	50	
GEC5RPR	Galv. 5" Right End Cap K	Prime	28 ga	5"	50	
GEC5LML	Galvanized 5" Left End Cap K	Mill	28 ga	5"	50	
GEC5RML	Galvanized 5" Left End Cap K	Mill	28 ga	5"	50	
GEC6L - -	Galvanized 6" Left End Cap K	(Steel Colors)	28 ga	6"	50	
GEC6LPR	Galvanized 6" Left End Cap K	Prime	28 ga	6"	50	
GEC6R - -	Galvanized 6" Right End Cap K	(Steel Colors)	28 ga	6"	50	
GEC6RPR	Galvanized 6" Right End Cap K	Prime	28 ga	6"	50	
LEC5L	Galvalume 5" Left End Cap	Mill	26 ga	5"	50	
LEC5R	Galvalume 5" Right End Cap	Mill	26 ga	5"	50	
LEC6L	Galvalume 6" Left End Cap	Mill	26 ga	6"	50	
LEC6R	Galvalume 6" Right End Cap	Mill	26 ga	6"	50	
CEC5L	Copper 5" Left End Cap	Copper	10 oz	5"	Order by the pc.	
CEC5R	Copper 5" Right End Cap	Copper	10 oz	5"	Order by the pc.	
CEC6L	Copper 6" Left End Cap	Copper	10 oz	6"	Order by the pc.	
CEC6R	Copper 6" Right End Cap	Copper	10 oz	6"	Order by the pc.	

## Rainware & Accessories Aluminum Colors | ●=Color-Thru System™

COLOR	CODE	COLOR	CODE	COLOR	CODE	COLOR	CODE	COLOR	CODE
● NX ALMOND	AD	● CHARCOAL GREY	CG	● NX GRANITE	GG	PG METALLIC	M3	● NX SIERRA CLAY	SI
● ALMOND	AL	● CLASSIC CREAM	CC	● HARBOR GREY	HG	● REDWOOD	RW	● NX SILVER/SILVER GREY*	SG
● ANTIQUE IVORY	AI	● COPPER PENNY*	CP	● HERRINGBONE	HN	● ROYAL BROWN	RB	● NX TAN*	TN
● BEAVER BROWN	BB	● COUNTRY BLUE	CU	● JEFFERSON TAN	JT	● NX RUSSET	RT	● TERRA BRONZE	TB
● BLACK	BK	● DESERT SAND	DS	● NX LINEN	LN	★RUSTIC COPPER	M2	● VICTORIAN GREY*	VG
● BRONZE	BZ	● NX DUNE	CD	● LINEN	LI	SAGE*	SA	● VILLAGE GREEN	VI
● BROOKSTONE*	BS	● EGG SHELL*	ES	● MONTANA SUEDE	MS	● NX SAND	SD	● WICKER	WI
● BUCKSKIN	BU	● EVEREST	EV	● MUSKET BROWN	MB	● NX SAND STONE	SS	● 30 WHITE	WH
● CAMEO	CA	● EVERGREEN	EG	● NORWEGIAN WOOD	NW	● SANDTONE	ST	● 80 WHITE	80
● NX CHAMPAGNE	CH	● FROST	FR	● PEBBLESTONE CLAY	PC				

★Rustic Copper is a PREMIUM color. NOTE: Rustic Copper (M2) accessories, including miters and end caps, may display paint finish variations due to the metallic painting process, which may affect matching components.

## Rainware Steel Colors:

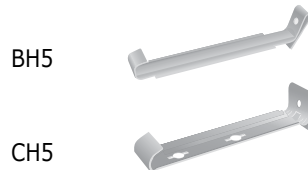
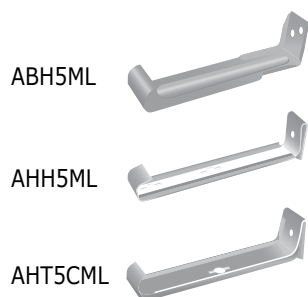
COLOR	CODE	COLOR	CODE	COLOR	CODE	COLOR	CODE	COLOR	CODE
BEAVER BROWN	BB	CLASSIC CREAM	CC	HARBOR GREY	HG	REDWOOD	RW	WICKER	WI
BLACK	BK	COUNTRY BLUE	CU	MUSKET BROWN	MB	ROYAL BROWN	RB	30 WHITE	WH
BRONZE	BZ	DESERT SAND	DS	PEBBLESTONE CLAY	PC	TAHOE BLUE	TA	80 WHITE	80
CHARCOAL GREY	CG	EVERGREEN	EG	PRIME	PR	VICTORIAN GREY	VG		



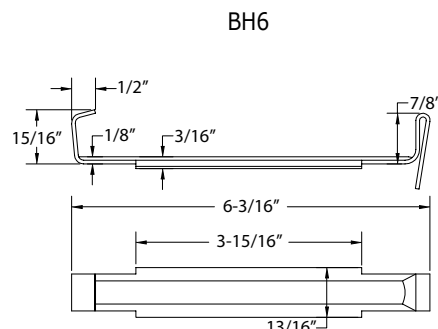
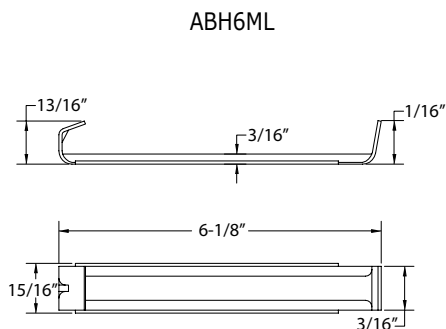
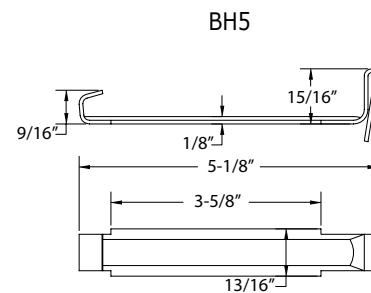
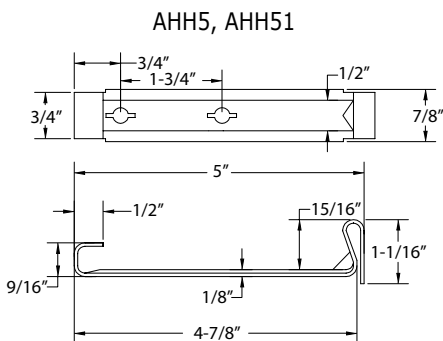
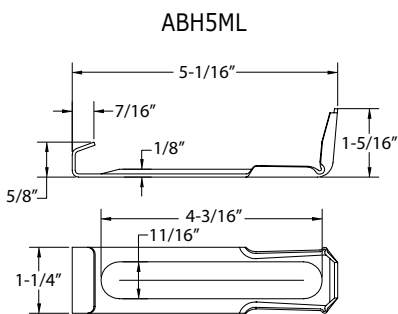
# NORANDEX™ Hangers

SHAWNEE PLANT

## Hidden Hangers



Part #	Description	Colors	Nom. Gauge/ Thickness	Piece Length	Pieces/ Box or Bag
ABH5ML	Aluminum 5" Backless Std. Bar Hanger	Mill	0.060	5-1/16"	400
AHH5ML	Aluminum 5" Hook Hanger with Clip	Mill	0.060	4-7/8"	500
AHH51ML	Aluminum 5" Hook Hanger with Clip	Mill	0.060	4-7/8"	100
AHT5ML	Aluminum 5" Hangtite Hanger without Clip	Mill	0.060	5"	1000
AHT51ML	Aluminum 5" Hangtite Hanger without Clip	Mill	0.060	5"	100
AHT5CML	Aluminum 5" Hangtite Hanger with Clip	Mill	0.060	5"	1000
AHH5NHML	Aluminum 5" Hook Hanger without Hole	Mill	0.060	5"	500
AHHK5NHML	Aluminum 5" Hook Hanger without Hole	Mill	0.060	5"	3000
AHU51ML	Aluminum 5" Ultra Hanger without Clip	Mill	0.048	5"	100
AHU5ML	Aluminum 5" Ultra Hanger without Clip	Mill	0.048	5"	1000
AHU51CML	Aluminum 5" Ultra Hanger with Clip	Mill	0.048	5"	100
AHU5CML	Aluminum 5" Ultra Hanger with Clip	Mill	0.048	5"	1000
ABH6ML	Aluminum 6" Backless Std. Bar Hanger	Mill	0.060	6-1/8"	750
AHH6ML	Aluminum 6" Hook Hanger with Clip	Mill	0.060	6"	250
AHHK6ML	Aluminum 6" Keg Hanger with Clip	Mill	0.060	6"	2500
AHT6ML	Aluminum 6" Hangtite Hanger without Clip	Mill	0.060	6"	1000
AHT6CML	Aluminum 6" Hangtite Hanger with Clip	Mill	0.060	6"	1000
AHU61ML	Aluminum 6" Ultra Hanger without Clip	Mill	0.048	6"	100
AHU6ML	Aluminum 6" Ultra Hanger without Clip	Mill	0.048	6"	1000
AHU61CML	Aluminum 6" Ultra Hanger with Clip	Mill	0.048	6"	100
AHU6CML	Aluminum 6" Ultra Hanger with Clip	Mill	0.048	6"	800
BH5	Brass 5" Hanger with Clip	Brass	0.115	5-1/8"	250
BH6	Brass 6" Hanger with Clip	Brass	0.115	6-3/16"	150
CH5	Copper 5" Hook Hanger	Copper	16 oz	5"	Order by the pc.
CH6	Copper 6" Hook Hanger	Copper	16 oz	6"	Order by the pc.



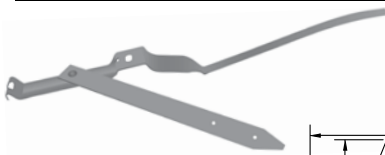




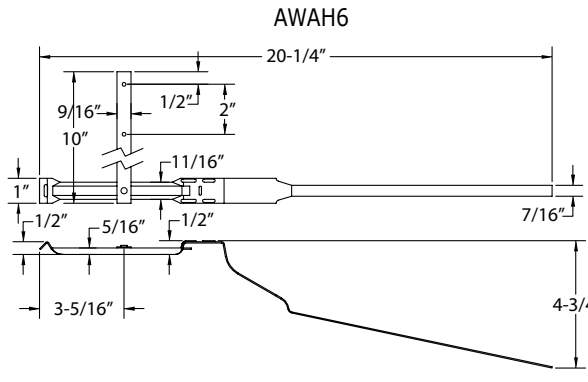
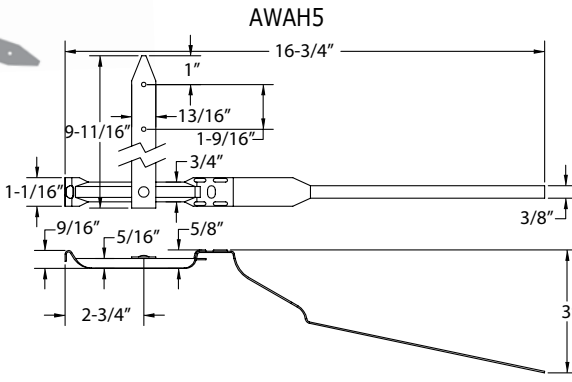
# NORANDEX™ Hangers

SHAWNEE PLANT

## Wrap Around Hangers



Part #	Description	Colors	Nom. Gauge/ Thickness	Piece Length	Pieces/ Box
AWAH5 - -	Aluminum 5" Wrap Around Hanger	RB, WH, 80	0.060	16-3/4"	100
AWAH6 - -	Aluminum 6" Wrap Around Hanger	RB, WH, 80	0.060	20-1/4"	50

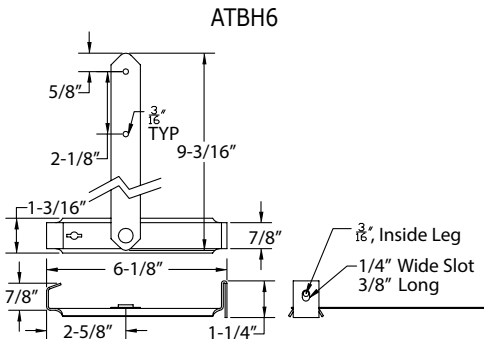
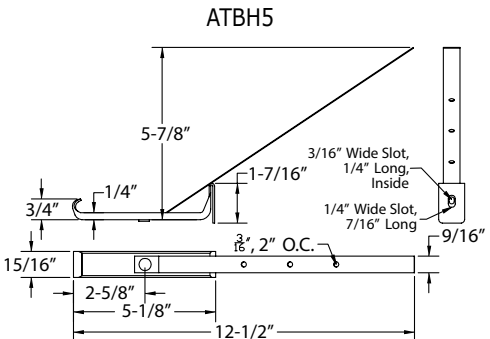


## T-Bar Hangers



Part #	Description	Colors	Nom. Gauge/ Thickness	Piece Length	Pieces/ Bag	Pieces/ Box
ATBH5 - -	Alum. 5" Painted T-Bar Strap Hanger	RB, WH	0.060	12-1/2"		100
ATBH5ML	Alum. 5" Painted T-Bar Strap Hanger	Mill	0.060	12-1/2"		100
ATBH6 - -	Alum. 6" Painted T-Bar Strap Hanger	WH	0.060	6-1/8"		100
ATBH6ML	Alum. 6" Painted T-Bar Strap Hanger	Mill	0.060	6-1/8"		100
ATS5ML	Alum. 5/8" T-Bar Strap only	Mill	0.032	9-7/8"	100	2000
★ ABHSST6ML	Alum./SS 6" T-Bar Hanger w/Clip	Mill	0.060	6-1/8"		100

★ "U" Status: Use up until gone.

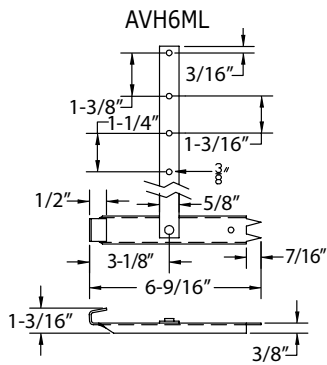
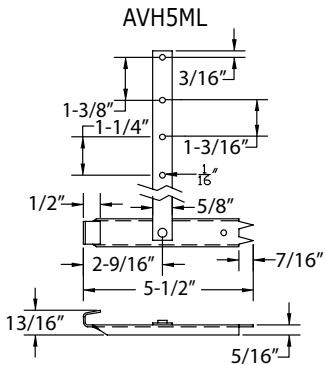


## Vampire Hangers



Part #	Description	Colors	Nom. Gauge/ Thickness	Piece Length	Pieces/ Box
AVH5ML	Aluminum 5" Vampire Hanger	Mill	0.060	5-1/2"	100
AVH6ML	Aluminum 6" Vampire Hanger	Mill	0.060	6-9/16"	100

**Note:** Proper installation requires the use of a Vampire Hanger tool manufactured by "Malco".



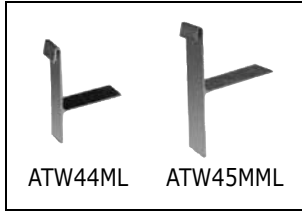
## Rainware Aluminum Colors:

COLOR	CODE	COLOR	CODE	COLOR	CODE
ROYAL BROWN	RB	WHITE	WH	80 WHITE	80



# NORANDEX™ Hangers & Rainware Accessories SHAWNEE PLANT

## T-Wedge

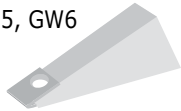


Part #	Description	Colors	Nom. Gauge/ Thickness	Pieces/ Bag
ATW44ML	Aluminum 5" T-Wedge 4400	Mill	0.070	50
ATW45MML	Aluminum 5"-6" T-Wedge 4500	Mill	0.070	50

A T-Wedge can be adjusted to keep the gutter level at various fascia board angles.

## Gutter Wedges

GW5, GW6



Part #	Description	Colors	Nom. Gauge/ Thickness	Pieces/ Box
GW5 - -	Aluminum 5" Wedge	RB, WH	0.027	100
GW6 - -	Aluminum 6" Wedge	RB, WH	0.027	50
CW5	Copper 5" Wedge	Copper	16 oz	Order by the pc.
CW6	Copper 6" Wedge	Copper	16 oz	Order by the pc.

## Hangers with Screws

AHFHS5ML, GHFHS5ML

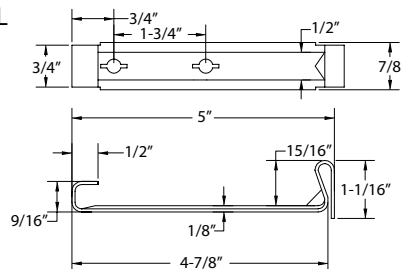


GHH5ML



Part #	Description	Colors	Nom. Gauge/ Thickness	Piece Length	Pieces/ Box	Pieces/ Pallet
AHFHS5ML	Alum. 5" Quick Screw Hidden Hanger w/Screw	Mill	0.060	5"	500	
AHFHS6ML	Alum. 6" Quick Screw Hidden Hanger w/Screw	Mill	0.060	6"	300	
AHFSS5ML	Alum. 5" Supreme Hanger w/Screw	Mill	0.060	5"	400	
AHFSS6ML	Alum. 6" Supreme Hanger w/Screw	Mill	0.060	6"	300	
AHUTS5CML	Alum. 5" Ultimate Hidden Hanger w/Screw & Clip	Mill	0.061	5"	400	
AHUTS6CML	Alum. 6" Ultimate Hidden Hanger w/Screw & Clip	Mill	0.061	6"	300	
AHFHS7ML	Alum. 7" Quick Screw Hidden Hanger w/Screw	Mill	0.060	7"	200	
GHFHS5ML	Galv. 5" Hang Fast w/Screw	Mill	18 ga	5"	300	
GHH5ML	Galv. 5" Hook Hanger w/Hole	Mill	18 ga	5"	250	26,250
GHH6ML	Galv. 6" Hook Hanger w/Hole	Mill	18 ga	6"	150	
BHFHS5	Brass 5" Hang Fast Hanger w/Screw	Brass	0.115	5"	Order by the pc.	
BHFHS6	Brass 6" Hang Fast Hanger w/Screw	Brass	0.115	6"	Order by the pc.	

GHH5ML



## Spikes



Part #	Description	Colors	Piece Length	Pieces/ Box
AS7WH	Aluminum 7" Painted Spike	WH	7"	500
AS7ML	Aluminum 7" Painted Spike	Mill	7"	500
AS8WH	Aluminum 8" Painted Spike	WH	8"	500
AS8ML	Aluminum 8" Painted Spike	Mill	8"	500
GS7ML	Galvanized 7" Ring Shank	Mill	7"	Approx 800 ct./50 lbs.

## Rainware Aluminum Colors:

COLOR	CODE	COLOR	CODE
ROYAL BROWN	RB	WHITE	WH



# NORANDEX™ Rainware Accessories

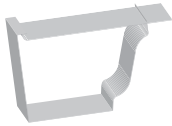
SHAWNEE PLANT

## Ferrules



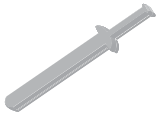
Part #	Description	Colors	Piece Length	Pieces/Box
AF5ML	Aluminum 5" Ferrule	Mill	5"	500
AF6ML	Aluminum 6" Ferrule	Mill	6"	500

## Fascia Brackets



Part #	Description	Colors	Nom. Gauge/Thickness	Pieces/Box
AFBH5 - -	Aluminum 5" Fascia Bracket	WH	0.060	100

## Drive Pins



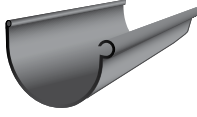
Part #	Description	Colors	Piece Length	Pieces/Box
GDP34	Galvanized 3/4" Masonry Fastener	Mill	3/4"	100
GDP10	Galvanized 1" Masonry Fastener	Mill	1"	100
GDP125	Galvanized 1-1/4" Masonry Fastener	Mill	1-1/4"	100
GDP150	Galvanized 1-1/2" Masonry Fastener	Mill	1-1/2"	100

### Rainware Aluminum Colors:

COLOR	CODE	COLOR	CODE
WHITE	WH	80 WHITE	80



# NORANDEX™ Round & Half Round Products SHAWNEE PLANT

Half Round Gutters		Part #	Description	Colors	Nom. Gauge/ Thickness	Piece Length	Pieces/ Box	Boxes/ Pallet
	AGUH610 - -	Alum. 6" Reverse Bead 10' Sections	(Listed Below)	0.027	10'	5	16	
	AGUH610M2	Alum. 6" Reverse Bead 10' Sections	M2 (Premium Color)	0.027	10'	5	16	
	AGUH620 - -	Alum. 6" Reverse Bead 20' Sections	(Listed Below)	0.027	20'	5	16	
	AGUH620M2	Alum. 6" Reverse Bead 20' Sections	M2 (Premium Color)	0.027	20'	5	16	
	LGUH610	Glum. 6" Reverse Bead 10' Sections	Mill	26 ga	10'	5	16	
	LGUH620	Glum. 6" Reverse Bead 20' Sections	Mill	26 ga	20'	5	16	
CGUH610	Copper 6" Reverse Bead 10' Sections	Copper	10 oz	10'	5			
CGUH620	Copper 6" Reverse Bead 20' Sections	Copper	10 oz	20'	5			

**Sold in 5-count cartons only.**

Round Downspouts		Part #	Description	Colors	Nom. Gauge/ Thickness	Piece Length	Pieces/ Box	Boxes/ Pallet
	ADSR310 - -	Alum. 3" Round x 10', Smooth	(Listed Below)	0.019	10'	5	30	
	ADSR310M2	Alum. 3" Round x 10', Smooth	M2 (Premium Color)	0.019	10'	5	30	
	ADSR410 - -	Alum. 4" Round x 10', Smooth	(Listed Below)	0.019	10'	5	20	
	ADSR410M2	Alum. 4" Round x 10', Smooth	M2 (Premium Color)	0.019	10'	5	20	
	GDSR410 - -	Galv. 4" Round x 10'	(Listed Below)	26 ga	10'	5	30	
	GDSR410ML	Galv. 4" Round x 10'	Mill	26 ga	10'	5	30	
LDSR310	Glum. 3" Round x 10', Plain	Mill	26 ga	10'	5	28		
LDSR410	Glum. 4" Round x 10', Plain	Mill	26 ga	10'	5	28		
CDSR310	Copper 3" Round x 10', Smooth	Copper	10 oz	10'	Order by the pc.			
CDSR410	Copper 4" Round x 10', Smooth	Copper	10 oz	10'	Order by the pc.			

## Rainware & Accessories Aluminum Colors

COLOR	CODE	COLOR	CODE	COLOR	CODE	COLOR	CODE	COLOR	CODE
ALMOND	AL	CAMEO	CA	■ MUSKET BROWN	MB	★ ■ RUSTIC COPPER	M2	VICTORIAN GREY	VG
BEAVER BROWN	BB	CHARCOAL GREY	CG	PEBBLESTONE CLAY	PC	SANDTONE	ST	WICKER	WI
BLACK	BK	CLASSIC CREAM	CC	PG METALLIC	M3	NX SIERRA CLAY	SI	■ 30 WHITE	WH
■ BRONZE	BZ	■ COPPER PENNY	CP	ROYAL BROWN	RB	TERRA BRONZE	TB	80 WHITE	80
BUCKSKIN	BU	HARBOR GREY	HG						

■ Stocked half-round colors. Balance of colors available with extended lead-time.

★ Rustic Copper is a PREMIUM color. NOTE: Rustic Copper (M2) accessories, including miters and end caps, may display paint finish variations due to the metallic painting process, which may affect matching components.

## Rainware Steel Colors:

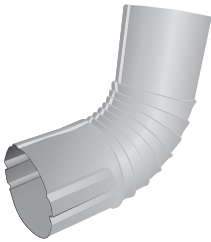
COLOR	CODE	COLOR	CODE	COLOR	CODE	COLOR	CODE	COLOR	CODE
BEAVER BROWN	BB	CLASSIC CREAM	CC	EVERGREEN	EG	PEBBLESTONE CLAY	PC	TAHOE BLUE	TA
BLACK	BK	COUNTRY BLUE	CU	HARBOR GREY	HG	PRIME	PR	VICTORIAN GREY	VG
BRONZE	BZ	DESERT SAND	DS	HARVEST BROWN	HV	REDWOOD	RW	WICKER	WI
CHARCOAL GREY	CG	EGGSHELL	ES	MUSKET BROWN	MB	ROYAL BROWN	RB	30 WHITE	WH



# NORANDEX™ Round Products

SHAWNEE PLANT

## Round Elbows



Part #	Description	Colors	Nom. Gauge/ Thickness	Pieces/ Box	Boxes/ Pallet
AER3 - -	Aluminum 3" Round 75°	(Listed Below)	0.019	30	16
AER3M2	Aluminum 3" Round 75°	M2 (Premium Color)	0.019	30	16
AER4 - -	Aluminum 4" Round 75°	(Listed Below)	0.019	30	16
AER4M2	Aluminum 4" Round 75°	M2 (Premium Color)	0.019	30	16
GER430ML	Galvanized 4" Round 30°	Mill	26 ga	20	24
GER445 - -	Galvanized 4" Round 45°	(Listed Below)	26 ga	20	24
GER445ML	Galvanized 4" Round 45°	Mill	26 ga	20	24
GER475 - -	Galvanized 4" Round 75°	(Listed Below)	26 ga	20	24
GER475ML	Galvanized 4" Round 75°	Mill	26 ga	20	24
LER3	Galvalume 3" Round 75°	Mill	26 ga	10	32
LER445	Galvalume 4" Round 45°	Mill	26 ga	10	32
LER4	Galvalume 4" Round 75°	Mill	26 ga	10	32
CER330	Copper 3" Round 30°	Copper	10 oz	Order by the pc.	
CER3	Copper 3" Round 75°	Copper	10 oz	Order by the pc.	
CER430	Copper 4" Round 30°	Copper	10 oz	Order by the pc.	
CER4	Copper 4" Round 75°	Copper	10 oz	Order by the pc.	

## Round Offsets



Part #	Description	Colors	Nom. Gauge/ Thickness	Pieces/ Box
ABO12R3 - -	Aluminum 2" Offset 3" Round	(Listed Below)	0.019	20
ABO12R3M2	Aluminum 2" Offset 3" Round	M2 (Premium Color)	0.019	20
ABO14R3 - -	Aluminum 4" Offset 3" Round	(Listed Below)	0.019	20
ABO14R3M2	Aluminum 4" Offset 3" Round	M2 (Premium Color)	0.019	20
ABO12R4 - -	Aluminum 2" Offset 4" Round	(Listed Below)	0.019	20
ABO12R4M2	Aluminum 2" Offset 4" Round	M2 (Premium Color)	0.019	20
ABO14R4 - -	Aluminum 4" Offset 4" Round	(Listed Below)	0.019	20
ABO14R4M2	Aluminum 4" Offset 4" Round	M2 (Premium Color)	0.019	20
ABO16R4 - -	Aluminum 6" Offset 4" Round	(Listed Below)	0.019	20
CBO12R3	Copper 2" Offset 3" Round	Copper	10 oz	Order by the pc.
CBO14R3	Copper 4" Offset 3" Round	Copper	10 oz	Order by the pc.
CBO12R4	Copper 2" Offset 4" Round	Copper	10 oz	Order by the pc.
CBO14R4	Copper 4" Offset 4" Round	Copper	10 oz	Order by the pc.
CBO16R4	Copper 6" Offset 4" Round	Copper	10 oz	Order by the pc.

## Rainware & Accessories Aluminum Colors

COLOR	CODE	COLOR	CODE	COLOR	CODE	COLOR	CODE	COLOR	CODE
ALMOND	AL	CAMEO	CA	MUSKET BROWN	MB	* ■ RUSTIC COPPER	M2	VICTORIAN GREY	VG
BEAVER BROWN	BB	CHARCOAL GREY	CG	PEBBLESTONE CLAY	PC	SANDTONE	ST	WICKER	WI
BLACK	BK	CLASSIC CREAM	CC	PG METALLIC	M3	NX SIERRA CLAY	SI	■ 30 WHITE	WH
■ BRONZE	BZ	■ COPPER PENNY	CP	ROYAL BROWN	RB	TERRA BRONZE	TB	80 WHITE	80
BUCKSKIN	BU	HARBOR GREY	HG						

■ Stocked half-round colors. Balance of colors available with extended lead-time.

\*Rustic Copper is a PREMIUM color. NOTE: Rustic Copper (M2) accessories, including miters and end caps, may display paint finish variations due to the metallic painting process, which may affect matching components.

## Rainware Steel Colors:

COLOR	CODE	COLOR	CODE	COLOR	CODE	COLOR	CODE	COLOR	CODE
BEAVER BROWN	BB	CLASSIC CREAM	CC	EVERGREEN	EG	PEBBLESTONE CLAY	PC	TAHOE BLUE	TA
BLACK	BK	COUNTRY BLUE	CU	HARBOR GREY	HG	PRIME	PR	VICTORIAN GREY	VG
BRONZE	BZ	DESERT SAND	DS	HARVEST BROWN	HV	REDWOOD	RW	WICKER	WI
CHARCOAL GREY	CG	EGGSHELL	ES	MUSKET BROWN	MB	ROYAL BROWN	RB	30 WHITE	WH



# NORANDEX™ Half Round Products

SHAWNEE PLANT

Half Round Outlets		Part #	Description	Colors	Nom. Gauge/ Thickness	Pieces/ Box
	AOROH63ML	Aluminum 3" Round x 6" HR Outlet	*	0.019	50	
	AOROH64ML	Aluminum 4" Round x 6" HR Outlet	*	0.019	50	
	GOROH63	Galvanized 3" Round x 6" HR Outlet	*	26 ga	Order by the pc.	
	GOROH64	Galvanized 4" Round x 6" HR Outlet	*	26 ga	Order by the pc.	
	COROH63	Copper 3" Round x 6" HR Outlet	Copper	10 oz	Order by the pc.	
	COROH64	Copper 4" Round x 6" HR Outlet	Copper	10 oz	Order by the pc.	

**\*NOTE:** Aluminum outlets made with mill or painted finish per manufacturer's discretion.

Half Round Miters		Part #	Description	Colors	Nom. Gauge/ Thickness	Pieces/ Box
	ASMH61 - -	Aluminum 6" 90°, Strip, Inside	(Listed Below)	0.027	20	
	ASMH61M2	Aluminum 6" 90°, Strip, Inside	M2 (Premium Color)	0.027	20	
	ASMH60 - -	Aluminum 6" 90°, Strip, Outside	(Listed Below)	0.027	20	
	ASMH60M2	Aluminum 6" 90°, Strip, Outside	M2 (Premium Color)	0.027	20	
	ABYH61 - -	Aluminum 6" 45°, Bay, Inside	(Listed Below)	0.027	20	
	ABYH61M2	Aluminum 6" 45°, Bay, Inside	M2 (Premium Color)	0.027	20	
	ABYH60 - -	Aluminum 6" 45°, Bay, Outside	(Listed Below)	0.027	20	
	ABYH60M2	Aluminum 6" 45°, Bay, Outside	M2 (Premium Color)	0.027	20	
	LSMH61	Galvalume 6" 90°, Strip, Inside	Mill	26 ga	20	
	LSMH60	Galvalume 6" 90°, Strip, Outside	Mill	26 ga	20	
	CSMH61	Copper 6" 90°, Strip, Inside	Copper	10 oz	20	
	CSMH60	Copper 6" 90°, Strip, Outside	Copper	10 oz	20	

Half Round Slip Joints		Part #	Description	Colors	Nom. Gauge/ Thickness	Pieces/ Box
	ASJCH6WH	Aluminum 6" HR Slip Joint	WH	0.019	Order by the pc.	
	LSJCH6WH	Galvalume 6" HR Slip Joint	WH	26 ga	Order by the pc.	

Half Round End Caps		Part #	Description	Colors	Nom. Gauge/ Thickness	Pieces/ Box
	AECH6 - -	Aluminum 6" HR Universal End Cap	(Listed Below)	0.019	20	
	AECH6M2	Aluminum 6" HR Universal End Cap	M2 (Premium Color)	0.019	20	
	LECH6	Galvalume 6" HR Universal End Cap	Mill	26 ga	20	
	CECH6	Copper 6" HR Universal End Cap	Mill	26 ga	20	

## Rainware & Accessories Aluminum Colors

COLOR	CODE	COLOR	CODE	COLOR	CODE	COLOR	CODE	COLOR	CODE
ALMOND	AL	CAMEO	CA	■ MUSKET BROWN	MB	★ ■ RUSTIC COPPER	M2	VICTORIAN GREY	VG
BEAVER BROWN	BB	CHARCOAL GREY	CG	PEBBLESTONE CLAY	PC	SANDTONE	ST	WICKER	WI
BLACK	BK	CLASSIC CREAM	CC	PG METALLIC	M3	NX SIERRA CLAY	SI	■ 30 WHITE	WH
■ BRONZE	BZ	■ COPPER PENNY	CP	ROYAL BROWN	RB	TERRA BRONZE	TB	80 WHITE	80
BUCKSKIN	BU	HARBOR GREY	HG						

■ Stocked half-round colors. Balance of colors available with extended lead-time.



★ Rustic Copper is a PREMIUM color. NOTE: Rustic Copper (M2) accessories, including miters and end caps, may display paint finish variations due to the metallic painting process, which may affect matching components.



# NORANDEX™ Half Round Products

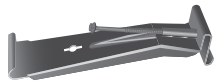
SHAWNEE PLANT

## Half Round Brackets

	Part #	Description	Colors	Pieces/ Box
	ACC10H6 - -	Aluminum 6" HR Combo Cir/Shk w/Clip Hanger	BZ, MB, 80	Order by the pc.
	ACC10H6ML	Aluminum 6" HR Combo Cir/Shk w/Clip Hanger	Mill	Order by the pc.
	AHRFH6 - -	Aluminum 6" HR Fascia Hanger	BZ, MB, WH	Order by the pc.
	GCC10H6	Galvanized 6" HR Combo Cir/Shk w/Clip Hanger	Mill	Order by the pc.
	*GSC10H6	Galvanized 6" 10# Spring Clip Combo	Mill	50
	LHRFH6	Galvalume 6" HR Fascia Hanger	Mill	Order by the pc.
	CCC10H6	Copper 6" HR Combo Cir/Shk w/Clip Hanger	Copper	Order by the pc.
	**BSC10H6	Brass 6" 10# Spring Clip Combo	Brass	50
	CHRFH6	Copper 6" HR Fascia Hanger	Copper	20

\*For use with part GCC10H6.  
\*\*For use with part CCC10H6.

## Half Round Hidden Hangers



Part #	Description	Colors	Pieces/ Box
AHHHR6ML	Aluminum 6" HR Hook Hanger	Mill	100
AHHSR6ML	Aluminum 6" HR Hidden Clip Hanger w/Screw	Mill	100
SHHHR6ML	Stainless Steel 6" HR Hook Hanger	Mill	100

**Note: Only for reverse bead half round gutters**

## Half Round T-Wedge Hangers



Part #	Description	Colors	Nom. Gauge/ Thickness	Pieces/ Bag
ATWHR49ML	Aluminum HR T-Wedge 4900	Mill	0.070	50

A T-Wedge can be adjusted to keep the gutter level at various fascia board angles.

### Rainware Aluminum Colors:

COLOR	CODE	COLOR	CODE	COLOR	CODE	COLOR	CODE
BRONZE	BZ	MUSKET BROWN	MB	WHITE	WH	80 WHITE	80





## Screen Systems

Part #	Description	Color	Nom. Gauge/ Thickness	Piece Length	Pieces/ Box	Feet/ Box
--------	-------------	-------	--------------------------	-----------------	----------------	--------------



### NEW NX Premium Stainless Steel Micro Mesh

**The ultimate in gutter protection!** This tightly woven, heavy gauge stainless steel micro mesh gutter guard, with its corrosion-resistant properties, is a significant debris deterrent. It installs easily under the shingles and fastens to the front gutter hem with provided screws, while self-adjusting to various roof pitches.

ALGP5SPML	Aluminum 5" Premium SS Micro Mesh	Mill	14 ga	4'	25	100'
ALGP6SPML	Aluminum 6" Premium SS Micro Mesh	Mill	14 ga	4'	25	100'



### NX Drop-In

The front attachment provides a firm hold to the front of the gutter and has a wide mounting flange for a permanent install. The mill finish aluminum screen is micro crimped for enhanced durability.

ALGP5DIML	Aluminum 5" Drop-In	Mill	0.025	4'	50	200'
ALGP6DIML	Aluminum 6" Drop-In	Mill	0.025	4'	50	200'



### NX Lock Small Hole

The small hole screen system installs quickly without disturbing the shingles with its front and back snap lock system.

GGP5LSHBK	Galvanized 5" Lock Small Hole	BK	28 ga	4'	25	100'
GGP6LSHBK	Galvanized 6" Lock Small Hole	BK	28 ga	4'	25	100'
GGP7LSHBK	Galvanized 7" Lock Small Hole	BK	28 ga	4'	25	100'



### NX Lock Regular Hole

The regular hole screen system installs quickly without disturbing the shingles with its front and back snap lock system.

GGP5LRHBK	Galvanized 5" Lock Regular Hole	BK	28 ga	4'	25	100'
GGP6LRHBK	Galvanized 6" Lock Regular Hole	BK	28 ga	4'	25	100'



### NX Step Down

The small hole screen incorporates a raised snap-in system in the back of the gutter to seal off the void between the shingles and the screen. Step Down installs quickly without the use of screws or disturbing the shingles.

GGP5SDBK	Galvanized 5" Step Down	BK	28 ga	4'	25	100'
GGP6SDBK	Galvanized 6" Step Down	BK	28 ga	4'	25	100'



### NX Premium Lock

The tiny holes keeps out small debris, while allowing water to flow through the screen. Two stiffening beads run down the center of the screen for added strength. Installation is quick and easy without disturbing the shingles. The screen locks into place with a raised back and front-tiered mounting system.

ALGP5PLBK	Aluminum 5" Premium Lock (screen tiny holes)	BK	0.032	4'	25	100'
ALGP6PLBK	Aluminum 6" Premium Lock (screen tiny holes)	BK	0.032	4'	25	100'



### NX Deluxe Half Round

Spring tension design holds this gutter screen in place. Snaps in and out of half round gutters for easy cleaning. 28 gauge steel stands tough under a full load of wet leaves without collapsing. Installs with a slope toward the front to help debris slide off.

GLGEZ6DH	Galvanized 6.5" Deluxe Half Round	BK	28 ga	4'	25	100'
----------	-----------------------------------	----	-------	----	----	------

### Gutter Screen System Color:

COLOR	CODE	COLOR	CODE
BLACK	BK	MILL	ML



# NORANDEX™ Gutter Protection

SHAWNEE PLANT

## Perforated & Dome

Part #	Description	Colors	Nom. Gauge/ Thickness	Piece Length	Pieces/ Box	Feet/ Box
--------	-------------	--------	--------------------------	-----------------	----------------	--------------

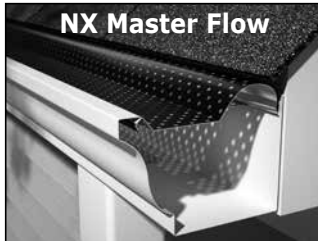


NX Smooth Flow

### NX Smooth Flow

The perforated cover installs easily without disturbing the shingles. Product is factory notched for easy overlapping. Dual center ribbed bends provide extra rigidity against expansion and contraction. Six 50-count bags of #6 hex head 3/8 stainless steel painted screws are included.

ALGP5SF - -	5" Smooth Flow	BK, WH	0.019	6'	40	240'
ALGP5SFML	5" Smooth Flow	Mill	0.019	6'	40	240'
ALGP510SF -	5" Smooth Flow	B, W	0.019	10'	25	250'
ALGP510SFM	5" Smooth Flow	Mill	0.019	10'	25	250'
ALGP6SF - -	6" Smooth Flow	BK, WH	0.019	6'	40	240'
ALGP6SFML	6" Smooth Flow	Mill	0.019	6'	40	240'
ALGP610SF -	6" Smooth Flow	B, W	0.019	10'	25	250'
ALGP610SFM	6" Smooth Flow	Mill	0.019	10'	25	250'



NX Master Flow

### NX Master Flow

The snap in perforated panels are installed without disturbing the shingles and without the use of screws. The patented curved back portion keeps the contoured front mounting system in place, provides a gentle transition of rainwater on to the panel, blocks debris from depositing in the back of the gutter, and is not obstructed by screw hangers.

ALGP5MFBK	Aluminum 5" Master Flow	BK	0.019	4'	25	100'
ALGP6MFBK	Aluminum 6" Master Flow	BK	0.019	4'	25	100'



NX Snap-In Dome

### NX Snap-In Dome Cover

This unique solid dome cover is designed for maximum debris load and is one of the easiest dome cover systems to install. The dome cover snaps in without the use of brackets or screws and doesn't disturb the shingles. Snap-In Dome is available in several colors to enhance the curb appeal of your home by blending in with the roof line.

ALGP5SD - -	Aluminum 5" Snap-In Dome	BK, RB, TB, WH	0.028	4'	14	56'
ALGP6SD - -	Aluminum 6" Snap-In Dome	BK, RB, TB, WH	0.028	4'	14	56'



NX Solid

### NX Solid Cover

This solid guard allows the water to track around the front (by surface tension) and into the gutter, while forcing debris to fly off. It also features a perforated bend line where the metal meets the roof.

ALGEZ5SO - -	Aluminum 5" Solid	BK, RB, TB, WH	0.019	4'	25	100'
ALGEZ6SO - -	Aluminum 6" Solid	BK, RB, TB, WH	0.019	4'	25	100'



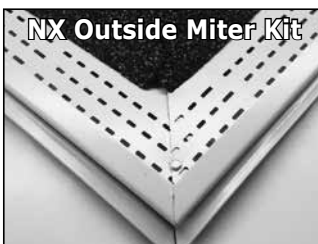
NX Inside Miter Kit

### NX Inside Miter Kit

A5SDIMK - -	Alum. 5" 1 Rt Panel, 1 Lft Panel & 4' Rain Diverter	BK, RB, TB, WH	0.027	4'	1 pair/box	
A6SDIMK - -	Alum. 6" 1 Rt Panel, 1 Lft Panel & 4' Rain Diverter	BK, RB, TB, WH	0.027	4'	1 pair/box	

### NX Outside Miter Kit

A5SDOMK - -	Aluminum 5" 1 Right Panel & 1 Left Panel	BK, RB, TB, WH	0.027	4'	1 pair/box	
A6SDOMK - -	Aluminum 6" 1 Right Panel & 1 Left Panel	BK, RB, TB, WH	0.027	4'	1 pair/box	



NX Outside Miter Kit

### NX Universal End Caps

A5SDUEC - -	Aluminum 5" Universal End Caps	BK, RB, TB, WH	0.019		10/Bag	
A6SDUEC - -	Aluminum 6" Universal End Caps	BK, RB, TB, WH	0.019		10/Bag	



NX Universal End Cap

### Gutter Protection Colors:

COLOR	CODE	COLOR	CODE	COLOR	CODE	COLOR	CODE	COLOR	CODE
BLACK	BK	ROYAL BROWN	RB	TERRA BRONZE	TB	WHITE		MILL	ML



# Gutter Protection

SHAWNEE PLANT

Gutter Protection		Part #	Description	Colors	Nom. Gauge/ Thickness	Piece Length	Pieces/ Box
<b>Gutter Protection</b>							
ALGLFH55	- -	Aluminum 5"/6" Perforated High-Flow Gutter Cover with Screws 4'	AL, BK, CC, CL, DB, EG, IV, MB, PL, RB, S1, TB, TX, WH	0.024	4'	25	
ALGLFH5M2		Aluminum 5"/6" Perforated High-Flow Gutter Cover with Screws 4'	M2	0.024	4'	5	
ALGLFS5	- -	Aluminum 5"/6" Standard Solid Gutter Cover with Screws 4'	AL, BK, CC, CL, DB, EG, IV, MB, PL, RB, S1, TB, TX, WH	0.024	4'	25	
ALGLFS5M2		Aluminum 5"/6" Standard Solid Gutter Cover with Screws 4'	M2	0.024	4'	25	
ALGRX5	- -	Aluminum 5" Drop-In Cover 6'	DB, WH	0.019	6'	50	
ALGRX6	- -	Aluminum 6" Drop-In Cover 6'	DB, WH	0.019	6'	50	
ALGP5CS	- -	Aluminum 5" Clean Sweep 7-1/2'	BK, WH	0.019	7'6"	40	
ALGP6CS	- -	Aluminum 6" Clean Sweep 7-1/2'	BK, WH	0.019	7'6"	40	



ALGLFH55 Perforated High-Flow



ALGLFS5 Solid



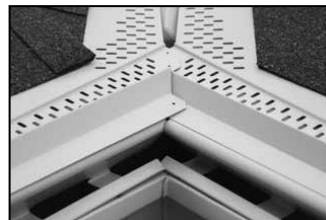
ALGRX5 Drop-In



ALGP5CSWH Clean Sweep

## Gutter Protection Accessories

ALGLFM5	- -	Miters (set - 1 Left & 1 Right)	AL, BK, CC, CL, DB, EG, IV, MB, PL, RB, S1, TB, TX, WH	0.024		10
ALGLFM5M2		Miters (set - 1 Left & 1 Right)	M2	0.024		10
ALGLFE5R	- -	End Caps (Right)	AL, BK, CC, CL, DB, EG, IV, MB, PL, RB, S1, TB, TX, WH	0.024	5"	25
ALGLFE5RM2		End Caps (Right)	M2	0.024	5"	25
ALGLFE5L	- -	End Caps (Left)	AL, BK, CC, CL, DB, EG, IV, MB, PL, RB, S1, TB, TX, WH	0.024	5"	25
ALGLFE5LM2		End Caps (Left)	M2	0.024	5"	25



ALGLFM5 Miters



ALGLFE5 R/L End Caps

## Gutter Protection Colors:

COLOR	CODE	COLOR	CODE	COLOR	CODE	COLOR	CODE	COLOR	CODE
ALMOND	AL	CLAY	CL	IVORY	IV	ROYAL BROWN	RB	TERRA BRONZE	TB
BLACK	BK	DARK BRONZE	DB	MUSKET BROWN	MB	*RUSTIC COPPER	M2	TUXEDO GRAY	TX
CLASSIC CREAM	CC	EVERGREEN	EG	PEARL GRAY	PL	SAND	S1	30 WHITE	WH

\*Rustic Copper is a PREMIUM color. NOTE: Rustic Copper (M2) accessories, including miters and end caps, may display paint finish variations due to the metallic painting process, which may affect matching components.

# Trim Coil Offering

SHAWNEE PLANT

Trim Coil	Description	Piece Length	Pieces/Box	Boxes/Pallet	Pieces/Pallet	Rolls/Truck
	.019 Aluminum Trim Coil	50'	1	48	48	1248

*Unless otherwise stated, all Smooth and Wood Grain trim coil is white (W1) on the opposite side.*

NORANDEX™	Smooth ATCS24 --	Woodgrain ATCW24 --	PVC ATCP24 --	Rainware Comparable
Acadia Green	G19	G19	N/A	N/A
Almond	D49	D49	D49	AD
Beige	D52	D52	D52	N/A
Beaver Brown	B5	B5	N/A	BB
Beaver Brown (19")	ATCS19B5	ATCW19B5	N/A	BB
Bronze	B13	B13	B13	N/A
Cactus	G16	G16	G16	N/A
Carbon	A29	A29	A29	N/A
Champagne	D53	D53	D53	CH
Cobblestone Clay	D56	D56	D56	N/A
Cream	D22	D22	D22	CC
Deep Water	L10	L10	L10	N/A
Dove Gray	A26	A26	A26	N/A
Dune	D54	D54	D54	CD
Fern	A24	A24	A24	N/A
Firebrick	R6	R6	R6	N/A
Geneva Blue	L9	L9	L9	N/A
Granite	A19	A19	A19	GG
Graphite	A25	A25	N/A	N/A
Ivy Green	G13	G13	G13	N/A
Jamestown Blue	L2	L2	L2	N/A
Khaki	D59	D59	N/A	N/A
Linen	W10	W10	W10	LN
Maverick Brown	B20	B20	B20	N/A
Mocha	D58	D58	D58	N/A
Musket Brown	B1	B1	B1	MB
Myrtle	G17	G17	G17	N/A
Norwegian Wood	D26	D26	N/A	NW
Olive	G14	G14	G14	N/A
Royal Brown	B6	B6	B6	RB
Russet	B18	B18	B18	RT
Rustic Cedar	D65	D65	N/A	N/A
Sand	D51	D51	D51	SD
Sand Stone	D46	D46	D46	SS
Seaport	A22	A22	A22	N/A
Sierra	D47	D47	D47	SI
Silver	A3	A3	A3	SG
Smoke	A21	A21	A21	N/A
Steel Blue	L8	L8	L8	N/A
Tan	D48	D48	D48	TN
Tumbleweed Tan	D55	D55	D55	N/A
Vintage Grey	A9	A9	A9	N/A
Wedgewood Blue	L7	L7	L7	N/A
Wheat	D50	D50	D50	N/A
White	W1	W1	W1	WH
Yellow	Y4	Y4	N/A	N/A

MASTIC	Smooth ATCS24 --	Woodgrain ATCW24 --	PVC ATCP24 --	Rainware Comparable
Almond	D14	D14	D14	AL
Autumn Harvest	B11	B11	N/A	N/A
Black	A17	A17	N/A	BK
Brookstone	D21	D21	D21	BS
Buckskin	D27	D27	N/A	BU
Cameo	W2	W2	W2	CA
Charcoal Grey	A8	A8	N/A	CG
Classic Cream	D22	D22	D22	CC
Corn Silk	D24	D24	N/A	N/A
Country Blue	L3	L3	N/A	CU
Dark Bronze	B13	B13	B13	N/A
Deep Granite	A9	A9	N/A	N/A
Desert Sand	D34	D34	D34	DS
English Wedgewood	A11	A11	N/A	N/A
Everest	A15	A15	N/A	EV
Evergreen	G6	G6	G6	EG
Harbor Grey	A2	A2	A2	HG
Lakeshore Fern	G2	G2	N/A	N/A
Linen	D4	D4	D4	LI
London Brown	B5	B5	N/A	BB
Misty Shadow	A10	A10	N/A	N/A
Montana Suede	D44	D44	D44	MS
Musket Brown	B1	B1	B1	MB
Natural Slate (Solar Def.)	A23	A23	N/A	N/A
Newport Bay (Solar Def.)	L2	L2	L2	N/A
Pebblestone Clay	D5	D5	D5	PC
Portsmouth Blue	L6	L6	N/A	N/A
Quiet Willow	G12	G12	N/A	N/A
Redwood	R3	R3	N/A	RW
Royal Brown	B6	B6	B6	RB
Rugged Canyon	B9	B9	N/A	N/A
Russet Red	R4	R4	N/A	N/A
Sage	D25	D25	N/A	SA
Sandtone	D6	D6	D6	ST
Scottish Thistle	G9	G9	G9	N/A
Silver Grey	A3	A3	A3	SG
Terra Bronze	B12	B12	B12	TB
Victorian Grey	A5	A5	A5	VG
Village Green	G11	G11	N/A	VI
Vineyard Grove	G7	G7	N/A	N/A
Vintage Brick	R1	R1	R1	N/A
White	W1	W1	W1	WH
Wicker	D8	D8	D8	WI
Woodland Retreat (Sol. Def.)	A29	A29	A29	N/A

TEXTURED	Textured ATCT24 --	NOTE: Textured Trim Coil is painted white on reverse side.
Clay	D39	
Tan	D38	
White	W4	

SPECIALTY COILS	Smooth Part #	Wood Grain Part #	Description	Piece Length	Nom. Ga.	Rolls/Pallet
Black/Royal Brown	ATCS7B14	ATCW7B14	Alum. 7"	50'	0.019	48
Black/Royal Brown	ATCS14B14	ATCW14B14	Alum. 14"	50'	0.019	48
Black/Royal Brown	ATCS24B14	ATCW24B14	Alum. 24"	50'	0.019	48
Black/Royal Brown	ATCS224B14	ATCW224B14	Alum. 24"	50'	0.024	32
Mastic White	ATCS14W1	ATCW14W1	Alum. 14"	50'	0.019	48
Mastic White	ATCS224W1	ATCW224W1	Alum. 24"	50'	0.024	32
Musket Brown	ATCS224B1	ATCW224B1	Alum. 24"	50'	0.024	32
Pebblestone Clay/White	ATCS224D5W	ATCW224D5W	Alum. 24"	50'	0.024	32
Victorian Grey	ATCS14A5	ATCW14A5	Alum. 14"	50'	0.019	48
Any Smooth TC Color	ATCS415 --	ATCW415 --	Alum. 24"	150'	0.019	18



# Trim Coil Offering

SHAWNEE PLANT

Trim Coil	Description	Piece Length	Pieces/Box	Boxes/Pallet	Pieces/Pallet	Rolls/Truck
	.019 Aluminum Trim Coil	50'	1	48	48	1248

*Unless otherwise stated, all Smooth and Wood Grain trim coil is white (W1) on the opposite side.*

CERTAINTEED	Smooth ATCS24 --	Woodgrain ATCW24 --	PVC ATCP24 --	Rainware Comparable
Buckskin	D23	D23	N/A	N/A
Charcoal Gray	A9	A9	N/A	N/A
Cypress	G1	G1	G1	N/A
Desert Tan	D13	D13	D13	N/A
Flagstone	A12	A12	N/A	N/A
Granite Gray	A2	A2	A2	N/A
Hearthstone	B10	B10	N/A	N/A
Heritage Cream	Y1	Y1	Y1	N/A
Herringbone	D37	D37	D37	N/A
Light Maple	D12	D12	D12	N/A
Musket Brown	B2	B2	B2	N/A
Natural Clay	D47	D47	D47	SI
Oxford Blue	L1	L1	L1	N/A
Sable Brown	B20	B20	B20	N/A
Sand Piper	D35	D35	N/A	N/A
Sandstone Beige	D18	D18	D18	N/A
Silver Ash	D19	D19	N/A	N/A
Slate	A29	A29	A29	N/A
Spruce	G5	G5	N/A	N/A
Sterling Gray	A14	A14	A14	N/A

EXTERIOR PORTFOLIO	Smooth ATCS24 --	Woodgrain ATCW24 --	PVC ATCP24 --	Rainware Comparable
Aspen White	W1	W1	W1	WH
Bone	D37	D37	D37	N/A
Clay	D47	D47	D47	SI
Country Beige	D46	D46	D46	N/A
Cypress	G1	G1	G1	N/A
Driftwood	A28	A28	A28	N/A
Espresso	B12	B12	B12	N/A
Graphite	A10	A10	N/A	N/A
Greystone	A2	A2	A2	HG
Honey Oak	D23	D23	N/A	N/A
Ivory	D10	D10	D10	N/A
Lighthouse Red	R1	R1	R1	N/A
Metropolitan Gray	A9	A9	N/A	N/A
Mocha	D7	D7	D7	N/A
Oceanside	A22	A22	A22	N/A
Olive	G2	G2	N/A	N/A
Pearl	W2	W2	W2	CA
Peppercorn	C14	C14	N/A	N/A
Regatta Blue	L2	L2	L2	N/A
Rye	D21	D21	D21	BS
Saddle	D6	D6	D6	ST
Slate	L10	L10	L10	N/A
Spruce	G17	G17	G17	N/A
Wheat	Y1	Y1	Y1	N/A
Wicker	D8	D8	D8	WI

VARIFORM	Smooth ATCS24 --	Woodgrain ATCW24 --	PVC ATCP24 --	Rainware Comparable
Autumn Beige	D31	D31	N/A	N/A
Briarwood	B9	B9	N/A	N/A
Classic Cream	D22	D22	D22	CC
Delray Sand	Y1	Y1	Y1	N/A
Flint	A7	A7	N/A	N/A
Georgian Gray	A4	A4	A4	N/A
Irish Thistle	A1	A1	A1	N/A
Island Pearl	W2	W2	W2	CA
Mediterranean Palm	G2	G2	N/A	N/A
Natural Almond	D13	D13	D13	N/A
Sagebrook	G12	G12	N/A	N/A
Sandtone	D6	D6	D6	ST
Sandy Tan	D33	D33	D33	N/A
Silver Mist	D37	D37	D37	N/A
Stone Mountain Clay	D47	D47	D47	SI
Twilight Shadow	A10	A10	N/A	N/A
Wedgewood	A11	A11	N/A	N/A

ROYAL	Smooth ATCS24 --	Woodgrain ATCW24 --	PVC ATCP24 --	Rainware Comparable
Beige	D10	D10	D10	N/A
Clay	D21	D21	D21	BS
Cypress	G1	G1	G1	N/A
Driftwood	D37	D37	N/A	N/A
Flagstone	A1	A1	A1	N/A
Granite	A25	A25	N/A	N/A
Harvard Slate	A2	A2	A2	HG
Heather	G8	G8	G8	N/A
Linen	D4	D4	D4	LI
Midnight Surf	L10	L10	L10	N/A
Musket Brown	B1	B1	B1	MB
Pebble Clay/Brownstone	D5	D5	D5	PC
Rockslide	A9	A9	N/A	N/A
Sand	D7	D7	D7	N/A
Soft Maple	D12	D12	D12	N/A
Sterling	A3	A3	A3	SG
Storm	A22	A22	A22	N/A
Urban Bronze	C14	C14	N/A	N/A
Vintage Cream	D30	D30	D30	N/A
Wicker	D8	D8	D8	WI

JAMES HARDIE	Smooth ATCS24 --	Woodgrain ATCW24 --	PVC ATCP24 --
Aged Pewter / Deep Ocean	C12	C12	N/A
Arctic White / Woodstock Brown	C2	C2	N/A
Chestnut Brown / Evening Blue	C8	C8	N/A
Cobblestone / Autumn Tan	C6	C6	N/A
Heathered Moss / Boothbay Blue	C9	C9	N/A
Iron Gray / Countrylane Red	C7	C7	N/A
Khaki Brown / Sail Cloth	C1	C1	N/A
Monterey Taupe / Sandstone Beige	C11	C11	N/A
Mountain Sage / Light Mist	C10	C10	N/A
Navajo Beige / Timber Bark	C5	C5	N/A
Night Gray / Pearl Gray	C13	C13	N/A
Rich Espresso / Gray Slate	C14	C14	N/A
Sandstone Beige (PVC only)	N/A	N/A	D15

PROUDLY FINISHED WITH  
**SHERWIN-WILLIAMS.**  
 Coil Coatings

# Trim Coil Offering

SHAWNEE PLANT

Trim Coil	Description	Piece Length	Pieces/Box	Boxes/Pallet	Pieces/Pallet	Rolls/Truck
	.019 Aluminum Trim Coil	50'	1	48	48	1248

*Unless otherwise stated, all Smooth and Wood Grain trim coil is white (W1) on the opposite side.*

ALLURA'S COLORMAX®	Smooth ATCS24 --	Woodgrain ATCW24 --	PVC ATCP24 --	Rainware Comparable
Ashen	C6	C6	N/A	N/A
Autumn Red	R6	R6	N/A	N/A
Bark	C14	C14	N/A	N/A
Cool Charcoal	C12	C12	N/A	N/A
Desert Tan	D13	D13	D13	N/A
Flagstone	A22	A22	A22	N/A
Granite Gray	A2	A2	A2	N/A
Hearthstone	B10	B10	N/A	N/A
Linen	D7	D7	D7	N/A
Natural Clay	D26	D26	N/A	N/A
Pacific Blue	L8	L8	L8	N/A
Rock Cliffs	C6	C6	N/A	N/A
Sable Brown	B20	B20	B20	N/A
Savannah Wicker	D8	D8	D8	N/A
Snow	W1	W1	W1	WH
Sterling Gray	A28	A28	A28	N/A
Taupe	D47	D47	D47	SI

EXTREME WINDOWS BY NORANDEX™	Smooth ATCS24 --	Woodgrain ATCW24 --	PVC ATCP24 --	Rainware Comparable
Almond	D62	D62	D62	N/A
Brick Red	R3	R3	N/A	RW
Bronze	B13	B13	N/A	N/A
Clay	D56	D56	D56	N/A
Dark Chocolate	B2	B2	B2	N/A
Hunter Green	G20	G20	N/A	N/A
Tan	D33	D33	D33	N/A
Terratone	C5	C5	N/A	N/A
White	W11	W11	N/A	N/A

PERFEXION BY NORANDEX™	Smooth ATCS24 --	Woodgrain ATCW24 --	PVC ATCP24 --	Textured ATCT24 --	Rainware Comparable
Black	A17	A17	N/A	N/A	BK
Brick	R3	R3	N/A	N/A	RW
Bronze	B13	B13	N/A	N/A	N/A
Chocolate	B6	B6	B6	N/A	RB
Cream	D14	D14	D14	N/A	AL
Driftwood	G20	G20	N/A	N/A	N/A
Extruded Driftwood	G8	G8	G8	N/A	N/A
Extruded Tan	N/A	N/A	N/A	D38	N/A
Extruded White	W1	W1	W1	N/A	WH
Pine	G18	G18	G18	N/A	N/A
Tan	N/A	N/A	N/A	D38	N/A

LP® SIDING SMARTSIDE®	Smooth ATCS24 --	Woodgrain ATCW24 --	PVC ATCP24 --	Rainware Comparable
Abyss Black	A27	A27	A27	N/A
Canyon Brown	C8	C8	N/A	N/A
Cavern Steel	C13	C13	N/A	N/A
Desert Stone	C6	C6	N/A	N/A
Garden Sage	G2	G2	N/A	N/A
Harvest Honey	D23	D23	N/A	N/A
Midnight Shadow	A23	A23	N/A	N/A
Prairie Clay	D47	D47	D47	SI
Quarry Gray	A31	A31	N/A	N/A
Rapids Blue	L11	L11	N/A	N/A
Redwood Red	R8	R8	N/A	N/A
Sand Dunes	D48	D48	D48	TN
Snowscape White	W6	W6	W6	N/A
Summit Blue	C9	C9	N/A	N/A
Terra Brown	C1	C1	N/A	N/A
Timberland Suede	C2	C2	N/A	N/A
Tundra Gray	C12	C12	N/A	N/A

PELLA® WINDOW	Smooth ATCS24 --	Woodgrain ATCW24 --	PVC ATCP24 --	Rainware Comparable
Almond	D62	D62	D62	N/A
Black	A27	A27	A17	N/A
Brick Red	R7	R7	R7	N/A
Brown	B22	B22	B22	N/A
Hartford Green	G18	G18	G18	N/A
Morning Sky	A28	A28	A28	N/A
Poplar White	D61	D61	D61	N/A
Portobello	B23	B23	B23	N/A
Putty	D63	D63	D63	N/A
Tan	D64	D64	D64	N/A
White	W6	W6	W6	N/A

EVERLAST®	Smooth ATCS24 --	Woodgrain ATCW24 --	PVC ATCP24 --	Textured ATCT24 --	Rainware Comparable
Antique Ivory	D22	D22	D22	N/A	CC
Blue Spruce	L10	L10	L10	N/A	N/A
Chestnut	B9	B9	N/A	N/A	N/A
Flagstone	A22	A22	A22	N/A	N/A
Misty Taupe	D47	D47	D47	N/A	SI
Natural White	N/A	N/A	N/A	W4	N/A
Saddle Wood	C14	C14	N/A	N/A	N/A
Sand Dune	C6	C6	N/A	N/A	N/A
Seaside Grey	N/A	N/A	N/A	M1	N/A
Slate	A19	A19	A19	N/A	GG
Spanish Moss	G12	G12	N/A	N/A	N/A
Storm Grey	L10	L10	L10	N/A	N/A
Willow	G1	G1	G1	N/A	N/A

ANDERSEN® WINDOWS	Smooth ATCS24 --	Woodgrain ATCW24 --	PVC ATCP24 --	Rainware Comparable
Black	A30	A30	N/A	N/A
Canvas	W12	W12	N/A	N/A
Cocoa Bean	B26	B26	N/A	N/A
Dark Bronze	B25	B25	N/A	N/A
Forest Green	G20	G20	N/A	N/A
Sandtone	D66	D66	N/A	N/A
Terratone	B24	B24	N/A	N/A
White	W11	W11	N/A	N/A

*All Andersen® trim coil is white (W11) on the opposite side.*

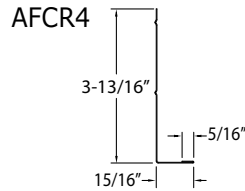
PROUDLY FINISHED WITH  
**SHERWIN-WILLIAMS.**  
Coil Coatings



## 4" Fascia



Part #	Description	Colors	Nom. Gauge/ Thickness	Piece Length	Pieces/ Box	Boxes/ Pallet	Pieces/ Pallet
AFCR4 - -	Aluminum 4" Ribbed Fascia	BZ, DS, EG, LI, MB, PC, RB, ST, TB, WH, WI	0.024	12'	25	24	600

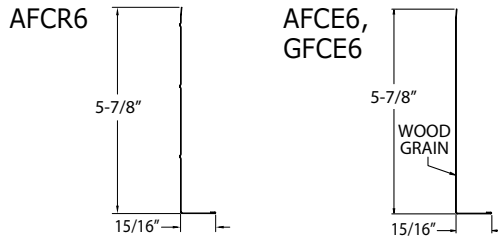


## 6" Fascia



Part #	Description	Colors	Nom. Gauge/ Thickness	Piece Length	Pieces/ Box	Boxes/ Pallet	Pieces/ Pallet
AFCS6 - -	Aluminum 6" Smooth Fascia	(Listed Below)	0.024	12'	25	24	600
AFCR6 - -	Aluminum 6" Ribbed Fascia	(Listed Below)	0.024	12'	25	24	600
AFCE6 - -	Aluminum 6" No. Pine Wood Grain	(Listed Below)	0.024	12'	25	24	600
GFCE6 - -	Galvanized 6" No. Pine Wood Grain	TB, WH	26 ga	12'	10	24	240

**Note:** Aluminum coil will not match steel fascia due to a different coating process.

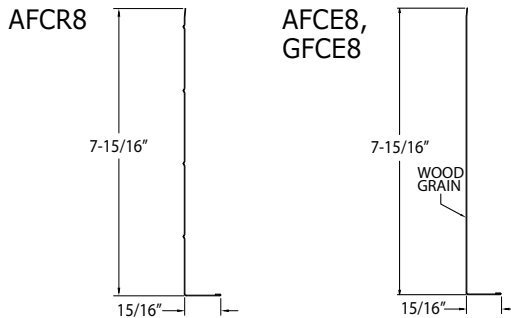


## 8" Fascia



Part #	Description	Colors	Nom. Gauge/ Thickness	Piece Length	Pieces/ Box	Boxes/ Pallet	Pieces/ Pallet
AFCS8 - -	Aluminum 8" Smooth Fascia	(Listed Below)	0.024	12'	25	20	500
AFCR8 - -	Aluminum 8" Ribbed Fascia	(Listed Below)	0.024	12'	25	20	500
AFCE8 - -	Aluminum 8" No. Pine Wood Grain	(Listed Below)	0.024	12'	25	20	500
GFCE8 - -	Galvanized 8" No. Pine Wood Grain	RB, WH	26 ga	12'	10	20	200

**Note:** Aluminum coil will not match steel fascia due to a different coating process.



### Fascia Colors | ●=Color-Thru System™

COLOR	CODE	COLOR	CODE	COLOR	CODE	COLOR	CODE	COLOR	CODE
● NX ALMOND	D49	● CHARCOAL GREY	CG	● LAKESHORE FERN	XLF	● REDWOOD	RW	● SANDTONE	ST
● ALMOND	AL	● CLASSIC CREAM	CC	● NX LINEN	W10	● ROYAL BROWN	RB	● NX SIERRA CLAY	D47
● BEAVER BROWN	BB	● COUNTRY BLUE	CU	● LINEN	LI	● NX RUSSET	B18	● SILVER	SG
● BLACK	BK	● DESERT SAND	DS	● MONTANA SUEDE	XMS	● SAGE	SA	● NX TAN	D48
● BRONZE	BZ	● NX DUNE	D54	● MUSKET BROWN	MB	★ NX SAND	D51	● TERRA BRONZE	TB
● BROOKSTONE	BS	● EVEREST	EV	● NORWEGIAN WOOD	NW	● NX SAND STONE	D46	● VICTORIAN GREY	VG
● BUCKSKIN	BU	● EVERGREEN	EG	● PEBBLESTONE CLAY	PC			● WHITE	WH
● CAMEO	CA	● NX GRANITE	A19					● WICKER	WI
● NX CHAMPAGNE	D53	● HARBOR GREY	HG						
		● JEFFERSON TAN	JT						





# NORANDEX™ Fascia

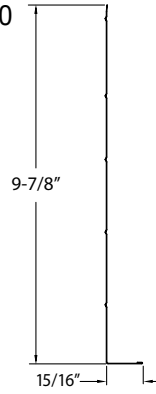
SHAWNEE PLANT

## 10" Fascia

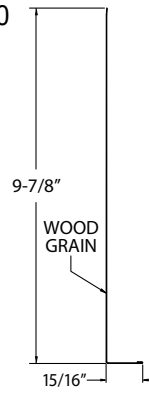
Part #	Description	Colors	Nom. Gauge/ Thickness	Piece Length	Pieces/ Box	Boxes/ Pallet	Pieces/ Pallet
AFCS10WH	Aluminum 10" Smooth Fascia	WH	0.024	12'	25	8	200
AFCR10WH	Aluminum 10" Ribbed Fascia	WH	0.024	12'	25	8	200
AFCE10WH	Aluminum 10" No. Pine Wood Grain	WH	0.024	12'	25	8	200



AFCR10

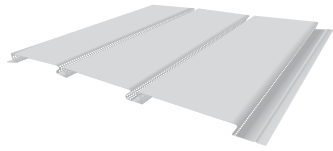


AFCE10



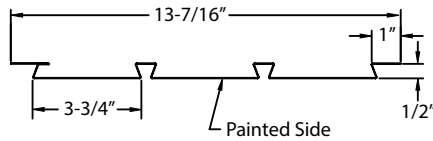


## 12" Hidden Vent Soffit

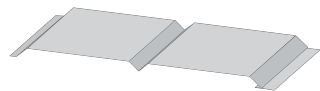


Part #	Description	Colors	Nom. Gauge/ Thickness	Piece Length	Pieces/ Box	Boxes/ Pallet	Pieces/ Pallet
AST12HV --	Alum. 12" Hidden Vent	AL, BK, BZ, CA, DS, HG, MB, PC, RB, ST, TB, VG, WH, WI	0.019	12'	16	24	384

**NOTE:** Requires 1/2" J- or F-Channel for installation. **Hidden Vent Soffit NFA 10.3 sq. in. / sq. ft.**

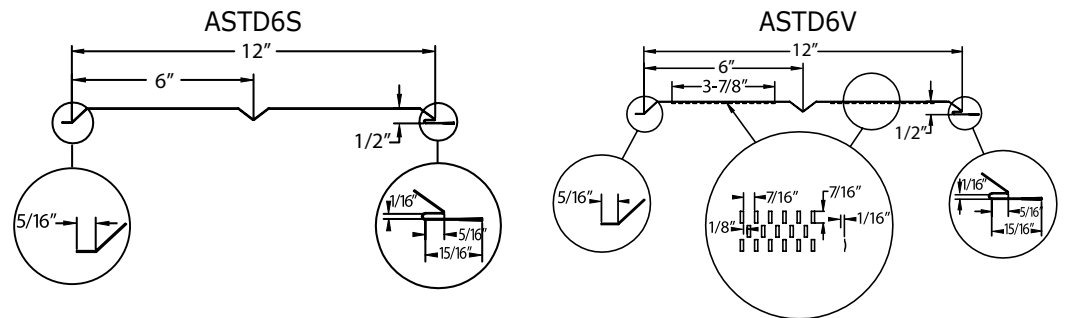


## 12" Double 6 - D6 Soffit

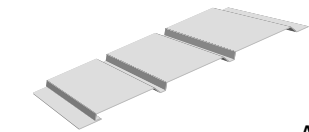


Part #	Description	Colors	Nom. Gauge/ Thickness	Piece Length	Pieces/ Box	Boxes/ Pallet	Pieces/ Pallet
ASTD6S --	Aluminum Solid	MB, PC, RB, D46, D47, TB, WH, WI	0.019	12'	16	24	384
ASTD6V --	Aluminum Full Vent	MB, PC, RB, D46, D47, TB, WH, WI	0.019	12'	16	24	384

**NOTE:** Requires 1/2" J- or F-Channel for installation. **D6 Soffit NFA 10.37 sq. in. / sq. ft.**

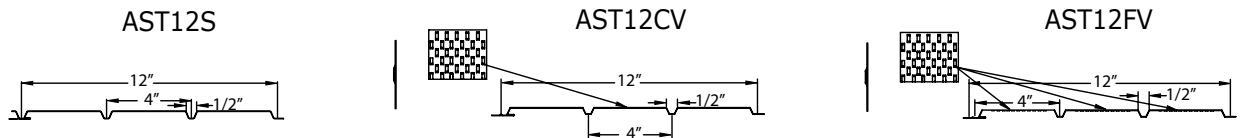


## 12" Soffit

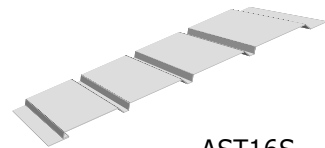


Part #	Description	Colors	Nom. Gauge/ Thickness	Piece Length	Pieces/ Box	Boxes/ Pallet	Pieces/ Pallet
AST12S --	Aluminum Solid	(Listed Below)	0.019	12'	20	15	300
AST12CV --	Aluminum Center Vent	(Listed Below)	0.019	12'	20	15	300
AST12FV --	Aluminum Full Vent	(Listed Below)	0.019	12'	20	15	300

**NOTE:** Requires 3/8" accessory channels. **Full Vent NFA 17.93 sq. in. / sq. ft. Center Vent NFA 6.19 sq. in. / sq. ft.**

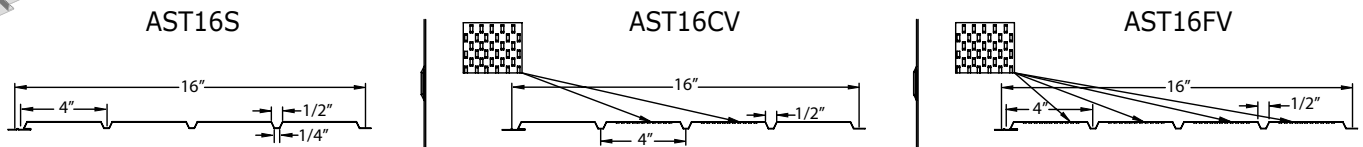


## 16" Soffit



Part #	Description	Colors	Nom. Gauge/ Thickness	Piece Length	Pieces/ Box	Boxes/ Pallet	Pieces/ Pallet
AST16S --	Aluminum Solid	*(Listed Below)	0.019	12'	10	20	200
AST16CV --	Aluminum Center Vent	*(Listed Below)	0.019	12'	10	20	200
AST16FV --	Aluminum Full Vent	*(Listed Below)	0.019	12'	10	20	200

**NOTE:** Requires 3/8" accessory channels. **Full Vent NFA 17.98 sq. in. / sq. ft. Center Vent NFA 8.99 sq. in. / sq. ft.**  
\*16" Soffit not available in XHW.



### Soffit Colors | ● = Color-Thru System™

COLOR	CODE	COLOR	CODE	COLOR	CODE	COLOR	CODE	COLOR	CODE
● NX ALMOND	D49	● NX CHAMPAGNE	D53	● HARBOR GREY	HG	● PEBBLESTONE CLAY	PC	● SANDTONE	ST
● ALMOND	AL	● CHARCOAL GREY	CG	● LAKESHORE FERN	XLF	● REDWOOD	RW	● NX SIERRA CLAY	D47
● BEAVER BROWN	BB	● CLASSIC CREAM	CC	● NX LINEN	W10	● ROYAL BROWN	RB	● SILVER	SG
● BLACK	BK	● COUNTRY BLUE	CU	● LINEN	LI	● NX RUSSET	B18	● NX TAN	D48
● BRONZE	BZ	● DESERT SAND	DS	● MONTANA SUEDE	XMS	● SAGE	SA	● TERRA BRONZE	TB
● BROOKSTONE	BS	● NX DUNE	D54	● MUSKET BROWN	MB	● NX SAND	D51	● VICTORIAN GREY	VG
● BUCKSKIN	BU	● EVEREST	EV	● NORWEGIAN WOOD	NW	● NX SAND STONE	D46	● WHITE	WH
● CAMEO	CA	● EVERGREEN	EG					● WICKER	WI
		● NX GRANITE	A19						



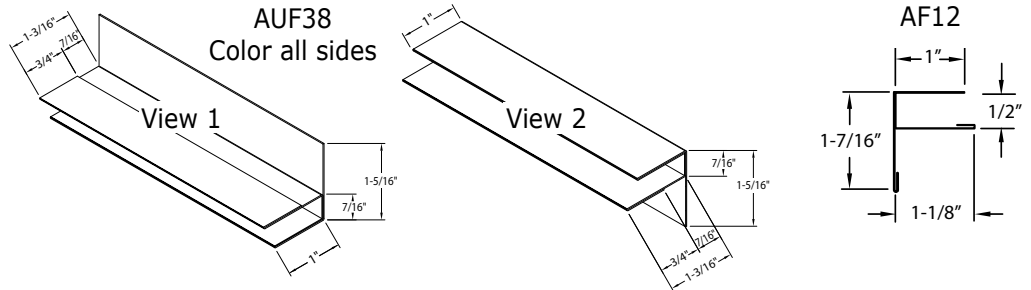
# NORANDEX™ Siding Accessories

SHAWNEE PLANT

## F-Channel



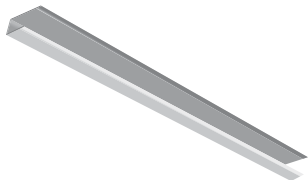
Part #	Description	Colors	Nom. Gauge/ Thickness	Piece Length	Pieces/ Box	Boxes/ Pallet	Pieces/ Pallet
AUF38 - -	Alum. 3/8" Universal F-Channel	(Listed Below)	0.019	12'	25	24	600
AF12 - -	Alum. 1/2" F-Channel	AL, BK, BZ, CA, DS, HG, MB, D46, D47, PC, RB, ST, TB, VG, WH, WI	0.019	12'	25	24	600
AF58 - -	Alum. 5/8" F-Channel	PC, WH	0.019	12'	30	20	600



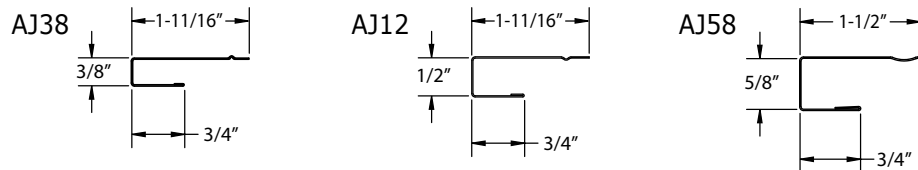
### F-Channel Colors: | ● = Color-Thru System™

COLOR	CODE	COLOR	CODE	COLOR	CODE	COLOR	CODE	COLOR	CODE
● NX ALMOND	D49	● NX CHAMPAGNE	D53	EVEREST	EV	● PEBBLESTONE CLAY	PC	● SANDTONE	ST
● ALMOND	AL	● CHARCOAL GREY	CG	● EVERGREEN	EG	● REDWOOD	RW	● NX SIERRA	D47
● BEAVER BROWN	BB	● CLASSIC CREAM	CC	● NX GRANITE	A19	● ROYAL BROWN	RB	● SILVER	SG
● BLACK	BK	● CLAY	CL	● HARBOR GREY	HG	● NX RUSSET	B18	● NX TAN	D48
● BRONZE	BZ	● COBBLESTONE	HCS	● NX LINEN	W10	SAGE	SA	● TERRA BRONZE	TB
● BROOKSTONE	BS	● COUNTRY BLUE	CU	● LINEN	LI	● NX SAND	D51	● VICTORIAN GREY	VG
● BUCKSKIN	BU	● DESERT SAND	DS	● MUSKET BROWN	MB	● NX SAND STONE	D46	● WICKER	WI
● CAMEO	CA	● NX DUNE	D5	● NORWEGIAN WOOD	NW	SANDSTONE BEIGE	HSB	● WHITE	WH

## J-Channel



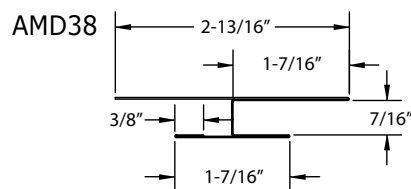
Part #	Description	Colors	Nom. Gauge/ Thickness	Piece Length	Pieces/ Box	Boxes/ Pallet	Pieces/ Pallet
AJ38 - -	Alum. 3/8" J-Channel	(Listed Below)	0.019	12'	25	24	600
AJ12 - -	Alum. 1/2" J-Channel	AL, BK, BZ, CA, DS, HG, MB, D46, D47, PC, RB, ST, TB, VG, WH, WI	0.019	12'	25	24	600
AJ58 - -	Alum. 5/8" J-Channel	PC, WH	0.019	12'	25	24	600



## Miter Divider



Part #	Description	Colors	Nom. Gauge/ Thickness	Piece Length	Pieces/ Box	Boxes/ Pallet
AMD38 - -	Alum. 3/8" Miter Divider	(Listed Below)	0.019	10'	10	24



### J-Channel & Miter Divider Colors | ● = Color-Thru System™

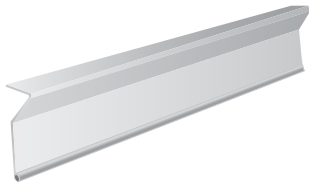
COLOR	CODE	COLOR	CODE	COLOR	CODE	COLOR	CODE	COLOR	CODE
● NX ALMOND	D49	● NX CHAMPAGNE	D53	● HARBOR GREY	HG	● PEBBLESTONE CLAY	PC	● SANDTONE	ST
● ALMOND	AL	● CHARCOAL GREY	CG	● LAKESHORE FERN	XLF	● REDWOOD	RW	● NX SIERRA CLAY	D47
● BEAVER BROWN	BB	● CLASSIC CREAM	CC	● NX LINEN	W10	● ROYAL BROWN	RB	● SILVER	SG
● BLACK	BK	● COUNTRY BLUE	CU	● LINEN	LI	● NX RUSSET	B18	● NX TAN	D48
● BRONZE	BZ	● DESERT SAND	DS	● MONTANA SUEDE	XMS	SAGE	SA	● TERRA BRONZE	TB
● BROOKSTONE	BS	● NX DUNE	D54	● MUSKET BROWN	MB	● NX SAND	D51	● VICTORIAN GREY	VG
● BUCKSKIN	BU	EVEREST	EV	● NORWEGIAN WOOD	NW	● NX SAND STONE	D46	● WHITE	WH
● CAMEO	CA	● EVERGREEN	EG					● WICKER	WI
		● NX GRANITE	A19						



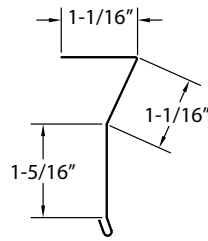
# NORANDEX™ Siding Accessories

SHAWNEE PLANT

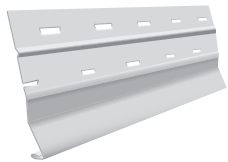
Siders Edge	Part #	Description	Colors	Nom. Gauge/ Thickness	Piece Length	Pieces/ Box	Boxes/ Pallet
-------------	--------	-------------	--------	-----------------------	--------------	-------------	---------------



ASE310 - -	Aluminum 3" Siders Edge	(Listed Below)	0.019	10'	25	24
------------	-------------------------	----------------	-------	-----	----	----



Starter Strip	Part #	Description	Colors	Nom. Gauge/ Thickness	Piece Length	Pieces/ Box	Boxes/ Pallet	Pieces/ Pallet
---------------	--------	-------------	--------	-----------------------	--------------	-------------	---------------	----------------

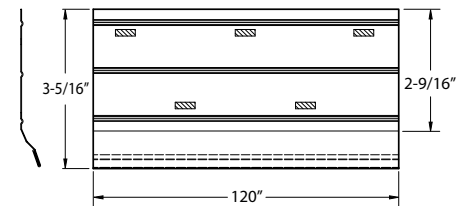
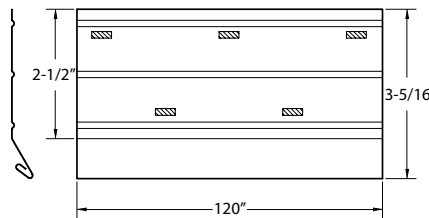
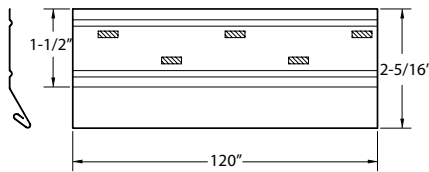


ASS25ML	Aluminum 2-1/2" Starter Strip	Mill	0.019	10'	50	24	1200
ASS35ML	Aluminum 3-1/2" Starter Strip	Mill	0.019	10'	25	24	600
GSS25ML	Galv. 2-1/2" Starter Strip	Mill	28 ga	10'	50	24	1200
GSS35ML	Galv. 3-1/2" Starter Strip	Mill	28 ga	10'	25	24	600
GSSS35	Galv. 3-1/2" Norandex Shake Starter Strip	Mill	28 ga	10'	25	24	600

ASS25ML, GSS25ML

ASS35ML, GSS35ML

GSSS35

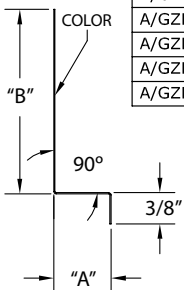


Z-Flashing	Part #	Description	Colors	Nom. Gauge/ Thickness	Piece Length	Pieces/ Box	Boxes/ Pallet
------------	--------	-------------	--------	-----------------------	--------------	-------------	---------------



Z Flashing

Part No.	"A"	"B"
A/GZF38	3/8"	2-1/4"
A/GZF44	7/16"	2-1/8"
A/GZF50	1/2"	2-1/16"
A/GZF62	5/8"	2"
A/GZF75	3/4"	1-7/8"



AZF38 - -	Aluminum 3/8" Z-Flashing	(Listed Below)	0.019	10'	25	500
AZF38ML	Aluminum 3/8" Z-Flashing	Mill	0.019	10'	25	500
AZF44 - -	Aluminum 7/16" Z-Flashing	(Listed Below)	0.019	10'	25	500
AZF44ML	Aluminum 7/16" Z-Flashing	Mill	0.019	10'	25	500
AZF50 - -	Aluminum 1/2" Z-Flashing	(Listed Below)	0.019	10'	25	500
AZF50ML	Aluminum 1/2" Z-Flashing	Mill	0.019	10'	25	500
AZF62 - -	Aluminum 5/8" Z-Flashing	(Listed Below)	0.019	10'	25	500
AZF62ML	Aluminum 5/8" Z-Flashing	Mill	0.019	10'	25	500
AZF75 - -	Aluminum 3/4" Z-Flashing	(Listed Below)	0.019	10'	25	500
AZF75ML	Aluminum 3/4" Z-Flashing	Mill	0.019	10'	25	500
GZF38 - -	Galvanized 3/8" Z-Flashing	BK, RB, TB, WH	28 ga	10'	25	500
GZF38ML	Galvanized 3/8" Z-Flashing	Mill	28 ga	10'	25	500
GZF44ML	Galvanized 7/16" Z-Flashing	Mill	28 ga	10'	25	500
GZF50 - -	Galvanized 1/2" Z-Flashing	BK, RB, TB, WH	28 ga	10'	25	500
GZF50ML	Galvanized 1/2" Z-Flashing	Mill	28 ga	10'	25	500
GZF62 - -	Galvanized 5/8" Z-Flashing	BK, RB, TB, WH	28 ga	10'	25	500
GZF62ML	Galvanized 5/8" Z-Flashing	Mill	28 ga	10'	25	500
GZF75 - -	Galvanized 3/4" Z-Flashing	BK, RB, TB, WH	28 ga	10'	25	500
GZF75ML	Galvanized 3/4" Z-Flashing	Mill	28 ga	10'	25	500

## Siding Accessories Colors | ● = Color-Thru System™

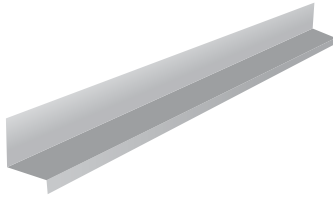
COLOR	CODE	COLOR	CODE	COLOR	CODE	COLOR	CODE	COLOR	CODE
● NX ALMOND	D49	● CHARCOAL GREY	CG	HAZEL WOOD	XHW	PORTSMOUTH BLUE	XPB	● NX SIERRA CLAY	D47
● ALMOND	AL	● CLASSIC CREAM	CC	LAKESHORE FERN	XLF	● REDWOOD	RW	● SILVER	SG
● BEAVER BROWN	BB	● COUNTRY BLUE	CU	● LINEN	LI	● ROYAL BROWN	RB	● NX TAN	D48
● BLACK	BK	● DESERT SAND	DS	● NX LINEN	W10	● NX RUSSET	B18	● TERRA BRONZE	TB
● BRONZE	BZ	● NX DUNE	D54	● MONTANA SUEDE	XMS	SAGE	SA	● VICTORIAN GREY	VG
BROOKSTONE	BS	EVEREST	EV	● MUSKET BROWN	MB	● NX SAND	D51	VINTAGE BRICK	XVB
● BUCKSKIN	BU	● EVERGREEN	EG	● NORWEGIAN WOOD	NW	● NX SAND STONE	D46	● WHITE	WH
● CAMEO	CA	● NX GRANITE	A19	● PEBBLESTONE CLAY	PC	● SANDTONE	ST	● WICKER	WI
● NX CHAMPAGNE	D53	● HARBOR GREY	HG						



# NORANDEX™ Siding Accessories

SHAWNEE PLANT

## Drip Cap



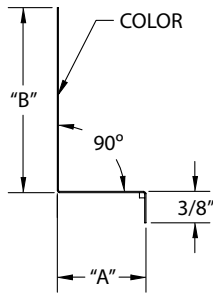
Part #	Description	Colors	Nom. Gauge/Thickness	Piece Length	Pieces/Box	Pieces/Pallet
--------	-------------	--------	----------------------	--------------	------------	---------------

### 90° Drip Cap

ADC078 - -	Aluminum 7/8" Drip Cap 90°	(Listed Below)	0.019	10'	25	1125
ADC100 - -	Aluminum 1" Drip Cap 90°	(Listed Below)	0.019	10'	25	500
ADC100ML	Aluminum 1" Drip Cap 90°	Mill	0.019	10'	25	500
ADC118 - -	Aluminum 1-1/8" Drip Cap 90°	(Listed Below)	0.019	10'	25	500
ADC118ML	Aluminum 1-1/8" Drip Cap 90°	Mill	0.019	10'	25	500
ADC125 - -	Aluminum 1-1/4" Drip Cap 90°	(Listed Below)	0.019	10'	25	500
ADC125ML	Aluminum 1-1/4" Drip Cap 90°	Mill	0.019	10'	25	500
ADC138 - -	Aluminum 1-3/8" Drip Cap 90°	(Listed Below)	0.019	10'	25	500
ADC150 - -	Aluminum 1-1/2" Drip Cap 90°	(Listed Below)	0.019	10'	25	500
ADC150ML	Aluminum 1-1/2" Drip Cap 90°	Mill	0.019	10'	25	500
ADC158 - -	Aluminum 1-5/8" Drip Cap 90°	(Listed Below)	0.019	10'	25	500
ADC175 - -	Aluminum 1-3/4" Drip Cap 90°	(Listed Below)	0.019	10'	25	500
ADC175ML	Aluminum 1-3/4" Drip Cap 90°	Mill	0.019	10'	25	500
ADC200 - -	Aluminum 2" Drip Cap 90°	(Listed Below)	0.019	10'	25	500
GDC078ML	Galvanized 7/8" Drip Cap 90°	Mill	28 ga	10'	25	500
GDC100 - -	Galvanized 1" Drip Cap 90°	BK, RB, TB, WH	28 ga	10'	25	500
GDC100ML	Galvanized 1" Drip Cap 90°	Mill	28 ga	10'	25	500
GDC125ML	Galvanized 1-1/4" Drip Cap 90°	Mill	28 ga	10'	25	500
GDC138 - -	Galvanized 1-3/8" Drip Cap 90°	BK, TB, WH	28 ga	10'	25	500
GDC138ML	Galvanized 1-3/8" Drip Cap 90°	Mill	28 ga	10'	25	500
GDC150 - -	Galvanized 1-1/2" Drip Cap 90°	BK, RB, TB, WH	28 ga	10'	25	500
GDC150ML	Galvanized 1-1/2" Drip Cap 90°	Mill	28 ga	10'	25	500
GDC158 - -	Galvanized 1-5/8" Drip Cap 90°	BK, RB, TB, WH	28 ga	10'	25	500
GDC158ML	Galvanized 1-5/8" Drip Cap 90°	Mill	28 ga	10'	25	500
GDC175ML	Galvanized 1-3/4" Drip Cap 90°	Mill	28 ga	10'	25	500
GDC200 - -	Galvanized 2" Drip Cap 90°	BK, RB, TB	28 ga	10'	25	500
GDC200ML	Galvanized 2" Drip Cap 90°	Mill	28 ga	10'	25	500

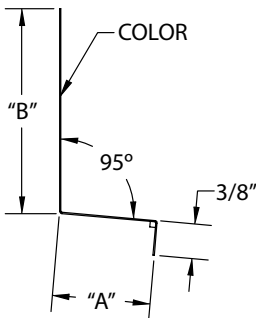
### Drip Cap 90°

Part No.	ALUM		GALV	
	"A"	"B"	"A"	"B"
A/GDC078	7/8"	1-5/8"	1-5/8"	
A/GDC100	1"	1-9/16"	1-9/16"	
ADC118	1-1/8"	1-7/16"	1-7/16"	
A/GDC125	1-1/4"	1-5/16"	1-5/16"	
A/GDC138	1-3/8"	1-1/8"	1-1/8"	
A/GDC150	1-1/2"	1-1/16"	1-1/16"	
A/GDC158	1-5/8"	2-7/8"	2"	
A/GDC175	1-3/4"	2-3/4"	1-7/8"	
A/GDC200	2"	2-1/2"	1-5/8"	



### Drip Cap 95°

Part No.	"A"	"B"
A/GDC95118	1-1/8"	1-7/16"
A/GDC95125	1-1/4"	1-5/16"
A/GDC95200	2"	2-5/8"



### 95° Drip Cap

ADC95100 - -	Aluminum 1" Drip Cap 95°	(Listed Below)	0.019	10'	25	500
ADC95118 - -	Aluminum 1-1/8" Drip Cap 95°	(Listed Below)	0.019	10'	25	500
ADC95125 - -	Aluminum 1-1/4" Drip Cap 95°	(Listed Below)	0.019	10'	25	500
ADC95138 - -	Aluminum 1-3/8" Drip Cap 95°	(Listed Below)	0.019	10'	25	500
ADC95150 - -	Aluminum 1-1/2" Drip Cap 95°	(Listed Below)	0.019	10'	25	500
ADC95175 - -	Aluminum 1-3/4" Drip Cap 95°	(Listed Below)	0.019	10'	25	500
ADC95200 - -	Aluminum 2" Drip Cap 95°	(Listed Below)	0.019	10'	25	500

## Siding Accessories Colors | ● = Color-Thru System™

COLOR	CODE	COLOR	CODE	COLOR	CODE	COLOR	CODE	COLOR	CODE
● NX ALMOND	D49	● CHARCOAL GREY	CG	HAZEL WOOD	XHW	PORTSMOUTH BLUE	XPB	● NX SIERRA CLAY	D47
● ALMOND	AL	● CLASSIC CREAM	CC	LAKESHORE FERN	XLF	● REDWOOD	RW	● SILVER	SG
● BEAVER BROWN	BB	● COUNTRY BLUE	CU	● LINEN	LI	● ROYAL BROWN	RB	● NX TAN	D48
● BLACK	BK	● DESERT SAND	DS	● NX LINEN	W10	● NX RUSSET	B18	● TERRA BRONZE	TB
● BRONZE	BZ	● NX DUNE	D54	MONTANA SUEDE	XMS	SAGE	SA	● VICTORIAN GREY	VG
BROOKSTONE	BS	EVEREST	EV	● MUSKET BROWN	MB	● NX SAND	D51	VINTAGE BRICK	XVB
● BUCKSKIN	BU	● EVERGREEN	EG	● NORWEGIAN WOOD	NW	● NX SAND STONE	D46	● WHITE	WH
● CAMEO	CA	● NX GRANITE	A19	● PEBBLESTONE CLAY	PC	● SANDTONE	ST	● WICKER	WI
● NX CHAMPAGNE	D53	● HARBOR GREY	HG						



## ALUMINUM RAINWARE, SIDING ACCESSORIES, SOFFIT, FASCIA & TRIM COIL



### **Buy Norandex™ products with confidence knowing that:**

- Norandex™ aluminum products carry a limited lifetime warranty.
- Material and Labor is covered.
- Transferrable at no charge.
- Doesn't require registration.

Norandex™ manufactures Aluminum Soffit, Aluminum Siding & Soffit Accessories, Aluminum Trim Coil, Aluminum Fascia (the "Products"), Aluminum Gutter Coil, and Rainware Accessories in accordance with high standards and tight quality controls. The Products will not rust, burn or support combustion, or split or crack due to cold weather because they are made of aluminum.

#### **WHAT DOES THIS WARRANTY COVER?**

Norandex™ warrants to you, the owner of the property at the time the Products were installed, that the Products are free from defects in material and workmanship in the course of manufacture, and that the finish on the Products will not chip, peel, flake or blister under conditions of ordinary wear, if installed according to local building codes and industry specifications. This Warranty is limited to the terms and conditions, exclusions and limitations, requirements and legal rights stated in this Warranty.

#### **HOW LONG DOES THE COVERAGE LAST?**

If you are an individual, this Limited Lifetime Warranty lasts for the life of the property on which the Products were originally applied ("Property") for as long as you own the Property. If you are not an individual (e.g., you are a corporation, condominium, cooperative housing arrangement, unincorporated association, school, church, government or public entity, etc.), the warranty period will be 50 years from the date of original installation of the Products on the Property, prorated as outlined in the Warranty Coverage Schedule contained within. This Limited Lifetime Warranty may be transferred with the Property. However, upon the transfer, the warranty period will be no more than 50 years from the date of original installation of the Products on the Property, prorated in accordance with the Warranty Coverage Schedule contained within.

#### **WHAT WILL WE DO?**

You must notify us in accordance with the notice requirements outlined below, and we must validate the complaint. In the event the manufacturer is denied access for an inspection, this warranty is null and void. Upon the notification and validation, we will undertake the following:

We will repair, replace or refund the purchase and installation price of the defective portion of our product that blisters, checks, crazes, flakes, peels or weathers unevenly due to a defect in our manufacturing process. Our obligations under this warranty will in no event exceed the purchase price of the originally installed Products found to be warrantable and the cost of the labor involved in the original installation of such defective Products. Any additional costs and expenses beyond these amounts are your responsibility. Norandex™ will not pay or be responsible for any costs associated with or related to anything else affixed to the material or building's roof, including but not limited to solar panels, television antennas, moisture sensors, etc.

In the event of repair, replacement or refinishing under this Warranty, the Warranty applicable to the replacement material or to the repaired or refinished Products will extend only for the time remaining under the original Warranty.

If we elect to repair or replace Product under this warranty, we will also cover the reasonable labor costs for the applicable area, as determined by us.

#### **WHAT DOESN'T THIS WARRANTY COVER?**

This Warranty does not cover damage of any kind resulting from:

- buckling or rippling of gutters and fascia;
- product that is stored in situations where standing water is covering the surface for prolonged period of time;
- faulty or improper contractor fabrication or installation, including "oil canning" waving, buckling, or other distortions;
- installation of our Product in direct contact with dissimilar materials as discussed in the final section of this warranty;
- cracking or crazing of the Product's paint surface due to field forming of Products in cold temperatures; or
- changes in surface color resulting from chalking, fading, soiling or staining. Exposure to the elements may cause these changes over time; the degree to which weathering occurs will vary depending on air quality,

the building's location and other local conditions over which we have no control;

- accidental damage;
- settlement;
- structural shrinkage or distortion of the property structure;
- fire;
- lightning, hurricane, tornado, windstorm, earthquake, volcanoes, hail, or other acts of God;
- harmful chemicals (including harmful cleaning compounds and pesticides);
- fumes, volcanic smog, or vapors; Warranty does not cover material within 30 miles of volcano.
- surface deterioration due to air pollution or seacoast environment (no coverage if product installation is within 1500 feet of seacoast);
- misuse or abuse;
- vandalism;
- airborne stains, mold and mildew accumulation;
- tiger striping or atmospheric dirt accumulation is a naturally occurring phenomenon that is not covered under the finish warranty;
- your failure (or the failure of subsequent Property owners) to provide reasonable and necessary maintenance of the Products (see "Care and Maintenance Instructions");
- impact of foreign objects;
- warping or distortion due to exposure to excessive heat sources (e.g., barbecue grills) or exposure to unusual or excessive reflective heat sources (e.g., window reflection);
- products that have been painted or whose surface has been altered in any way will void the paint finish warranty;
- any other causes beyond our reasonable control; or
- corrosion caused by contact with dissimilar materials, treated lumber, or direct salt spray.

#### **OTHER LIMITATIONS**

1. This Warranty covers only genuine Norandex™, Aluminum Soffit, Aluminum Siding & Soffit Accessories, select Aluminum Trim Coil, Aluminum Fascia, and Aluminum Gutter Coil & Rainware Accessories. It is your responsibility to verify that the soffit, fascia, and accessories installed are our Products. For Trim Coil, we require written proof it is Norandex™ product. Our products are warranted in the continental United States, Hawaii, and Alaska.

2. Products that are designed and intended for rainware and trim applications should not be used as roofing material or metal dome gutter protection.

3. Due to normal weathering, replacement Products may differ in gloss and color from Products originally installed on the Property.

4. We reserve the right to discontinue or change any design or color of any of our products at any time and without notice or liability. If, for any reason, Products of the type originally installed are no longer available from us at the time you make a warranty claim, we may substitute another product determined by us to be of comparable quality and price.

5. There are no warranties on these Products other than as set forth in this Warranty. We are not liable to you for a breach of any other written or oral express warranties, such as those, if any, given to you by dealers, contractors, applicators, or distributors of the Products.

6. WE EXCLUDE AND ARE NOT RESPONSIBLE FOR ANY CONSEQUENTIAL OR INCIDENTAL DAMAGES ARISING OUT OF ANY BREACH OF THIS EXPRESSED WARRANTY, OR ANY OTHER ORAL, WRITTEN OR IMPLIED WARRANTY THAT MAY APPLY TO YOUR PURCHASE, AS IT RELATES TO OUR PRODUCTS.

THIS IS YOUR EXCLUSIVE WARRANTY AND IS IN LIEU OF ALL OTHER WARRANTIES, EXPRESSED OR IMPLIED, INCLUDING BUT NOT LIMITED TO IMPLIED WARRANTIES OF MERCHANTABILITY AND FITNESS FOR A PARTICULAR PURPOSE.

7. This Warranty gives you specific legal rights. You may also have other rights which vary from state to state. SOME STATES DO NOT ALLOW THE EXCLUSION OR LIMITATION OF INCIDENTAL OR CONSEQUENTIAL DAMAGES, SO THE ABOVE LIMITATION OR EXCLUSION MAY NOT APPLY TO YOU.





## STEEL RAINWARE AND ACCESSORIES



### **Buy Norandex™ products with confidence knowing that:**

- Norandex™ steel rainware products carry a limited lifetime warranty.
- Material and Labor is covered.
- Doesn't require registration.

Norandex™ manufactures Steel Rainware & Accessories including Gutter Coil in accordance with high standards and tight quality controls. The Products will not burn or support combustion, or split or crack due to cold weather because they are made of steel.

#### **WHAT DOES THIS WARRANTY COVER?**

Norandex™ warrants to you, the owner of the property at the time the Products were installed, that the Products are free from defects in material and workmanship in the course of manufacture, and that the finish on the Products will not chip, peel, flake or blister under conditions of ordinary wear, if installed according to local building codes and industry specifications. This warranty excludes any areas of the material that are within 3/4" of any edge that has been cut subsequent to the application of the paint to the substrate. This Warranty is limited to the terms and conditions, exclusions and limitations, requirements and legal rights stated in this Warranty.

#### **HOW LONG DOES THE COVERAGE LAST?**

If you are an individual, this Limited Lifetime Warranty lasts for the life of the property on which the Products were originally applied ("Property") for as long as you own the Property. If you are not an individual (e.g., you are a corporation, condominium, cooperative housing arrangement, unincorporated association, school, church, government or public entity, etc.), the warranty period will be 50 years from the date of original installation of the Products on the Property, prorated as outlined in the Warranty Coverage Schedule contained within. This Limited Lifetime Warranty is limited to the original owner. Coverage will be 100% for ten years after the installation and prorated after that period. See Warranty Coverage Schedule section for details of prorated coverage.

#### **WHAT WILL WE DO?**

You must notify us in accordance with the notice requirements outlined below, and we must validate the complaint. In the event the manufacturer is denied access for an inspection, this warranty is null and void. Upon the notification and validation, we will undertake the following:

We will repair, replace or refund the purchase and installation price of the defective portion of our product that blisters, checks, crazes, flakes, peels or weathers unevenly due to a defect in our manufacturing process. Our obligations under this warranty will in no event exceed the purchase price of the originally installed Products found to be warrantable and the cost of the labor involved in the original installation of such defective Products. Any additional costs and expenses beyond these amounts are your responsibility. Norandex™ will not pay or be responsible for any costs associated with or related to anything else affixed to the material or building's roof, including but not limited to solar panels, or television antennas, moisture sensors, etc.

In the event of repair, replacement or refinishing under this Warranty, the Warranty applicable to the replacement material or to the repaired or refinished Products will extend only for the time remaining under the original Warranty.

If we elect to repair or replace Product under this warranty, we will also cover the reasonable labor costs for the applicable area, as determined by us.

#### **WHAT DOESN'T THIS WARRANTY COVER?**

This Warranty does not cover damage of any kind resulting from:

- Product that is stored in situations where standing water is covering the surface for prolonged period of time;
- Faulty or improper installation, including "oil canning" waving, buckling, or other distortions;
- Installation of our Product in direct contact with dissimilar materials as discussed in the final section of this warranty;
- Cracking or crazing of the Product's paint surface due to field forming of Products in cold temperatures; or material that has bends less than 2T for a sheet thickness of 0.0299" and thinner and bends less than 4T for a sheet thickness of 0.0300" and thicker.
- Changes in surface color resulting from chalking, fading, soiling or staining. Exposure to the elements may cause these changes over time;

the degree to which weathering occurs will vary depending on air quality, the building's location and other local conditions over which we have no control;

- accidental damage;
- settlement;
- structural shrinkage or distortion of the property structure;
- fire;
- lightning, hurricane, tornado, windstorm, earthquake, hail, or other acts of God;
- harmful chemicals (including harmful cleaning compounds and pesticides);
- fumes, volcanic smog, or vapors; Warranty for material is not given within 30 miles of volcano.
- surface deterioration due to air pollution or seacoast environment; (no Warranty if installed product is within 1 mile of seacoast.)
- misuse or abuse;
- vandalism;
- airborne stains, mold and mildew accumulation;
- Tiger striping or atmospheric dirt accumulation is a naturally occurring phenomenon that is not covered under the finish warranty;
- your failure (or the failure of subsequent Property owners) to provide reasonable and necessary maintenance of the Products (see "Care and Maintenance Instructions");
- impact of foreign objects;
- warping or distortion due to exposure to excessive heat sources (e.g., barbecue grills) or exposure to unusual or excessive reflective heat sources (e.g., window reflection);
- Products that have been painted or whose surface has been altered in any way will void the paint finish warranty;
- any other causes beyond our reasonable control; or
- Corrosion caused by contact with dissimilar materials, treated lumber, or direct salt spray.

#### **OTHER LIMITATIONS**

1. This Warranty covers only genuine Norandex™ Steel Rainware and Accessories, including Gutter Coil. It is your responsibility to verify that the rainware and accessories installed are our Products. Our products are warranted in the continental United States, Hawaii, and Alaska.

2. Products that are designed and intended for rainware and trim applications should not be used as roofing material or metal dome gutter protection.

3. Due to normal weathering, replacement Products may differ in gloss and color from Products originally installed on the Property.

4. We reserve the right to discontinue or change any design or color of any of our products at any time and without notice or liability. If, for any reason, Products of the type originally installed are no longer available from us at the time you make a warranty claim, we may substitute another product determined by us to be of comparable quality and price.

5. There are no warranties on these Products other than as set forth in this Warranty. We are not liable to you for a breach of any other written or oral express warranties, such as those, if any, given to you by dealers, contractors, applicators, or distributors of the Products.

6. WE EXCLUDE AND ARE NOT RESPONSIBLE FOR ANY CONSEQUENTIAL OR INCIDENTAL DAMAGES ARISING OUT OF ANY BREACH OF THIS EXPRESSED WARRANTY, OR ANY OTHER ORAL, WRITTEN OR IMPLIED WARRANTY THAT MAY APPLY TO YOUR PURCHASE, AS IT RELATES TO OUR PRODUCTS.

THIS IS YOUR EXCLUSIVE WARRANTY AND IS IN LIEU OF ALL OTHER WARRANTIES, EXPRESSED OR IMPLIED, INCLUDING BUT NOT LIMITED TO IMPLIED WARRANTIES OF MERCHANTABILITY AND FITNESS FOR A PARTICULAR PURPOSE.

7. This Warranty gives you specific legal rights. You may also have other rights which vary from state to state. SOME STATES DO NOT ALLOW THE EXCLUSION OR LIMITATION OF INCIDENTAL OR CONSEQUENTIAL DAMAGES, SO THE ABOVE LIMITATION OR EXCLUSION MAY NOT APPLY TO YOU.





# NORANDEX™

EXTERIOR PRODUCTS FOR YOUR HOME

## Norandex™ Trim Coil Colors

<b>W1</b> WHITE 280	<b>W10</b> LINEN	<b>D52</b> BEIGE	<b>D53</b> CHAMPAGNE	<b>D49</b> ALMOND	<b>D22</b> CREAM	<b>Y4</b> *YELLOW
<b>D54</b> DUNE	<b>D48</b> TAN	<b>D50</b> WHEAT	<b>D51</b> SAND	<b>D46</b> SAND STONE	<b>D55</b> TUMBLEWEED TAN	<b>D47</b> SIERRA CLAY
<b>D58</b> MOCHA	<b>D56</b> COBBLESTONE CLAY	<b>D59</b> KHAKI	<b>B18</b> RUSSET	<b>D65</b> RUSTIC CEDAR	<b>B6</b> ROYAL BROWN	<b>B1</b> MUSKET BROWN
<b>B20</b> *MAVERICK BROWN	<b>A29</b> CARBON	<b>R6</b> FIREBRICK	<b>G16</b> CACTUS	<b>G13</b> IVY GREEN	<b>A24</b> FERN	<b>G14</b> OLIVE
<b>G19</b> ACADIA GREEN	<b>G17</b> MYRTLE	<b>A25</b> *GRAPHITE	<b>A21</b> SMOKE	<b>A19</b> GRANITE	<b>A26</b> DOVE GREY	<b>A3</b> SILVER
<b>A22</b> SEAPORT	<b>L9</b> GENEVA BLUE	<b>L10</b> DEEP WATER	<b>L2</b> JAMESTOWN BLUE	<b>L8</b> STEEL BLUE	<b>L7</b> WEDGEWOOD BLUE	

**★ NEWLY ADDED TRIM COIL COLORS**

*\*Not available in PVC.*

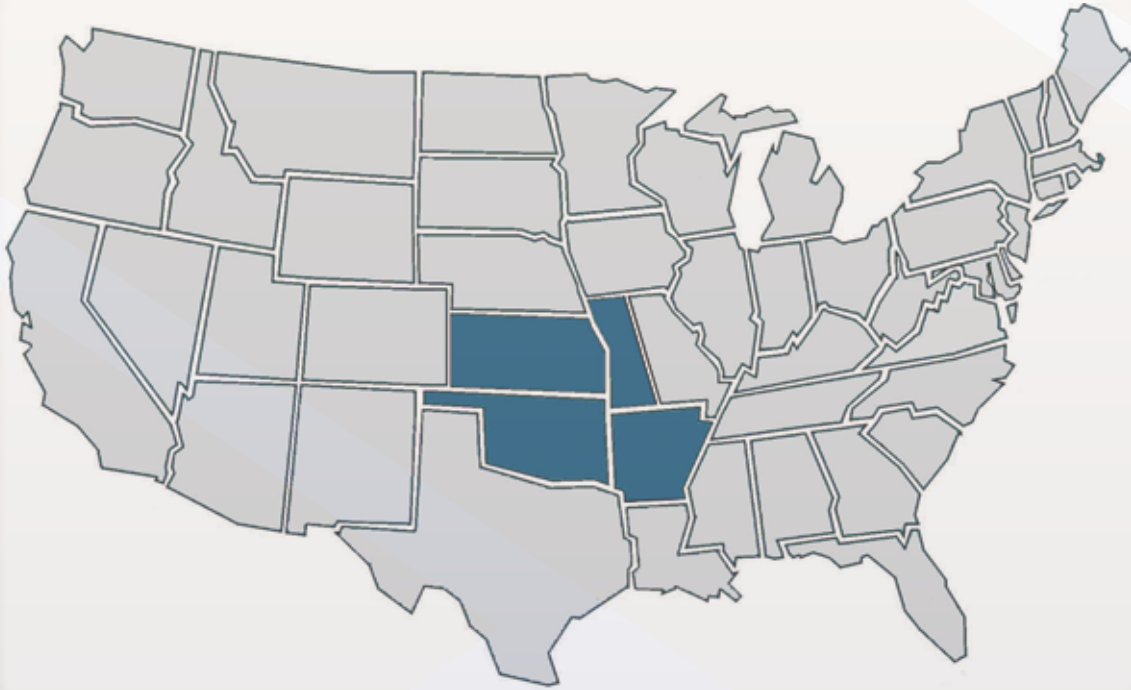
*Note: Please refer to metal color swatches for color accuracy.*

PROUDLY FINISHED WITH  
**SHERWIN-WILLIAMS.**  
Coil Coatings



# NORANDEX™

EXTERIOR PRODUCTS FOR YOUR HOME



*Shawnee Plant Serves Central Plains Region*

Customer Service: Ph 877-279-5096 • Fax 608-365-0493  
[www.acm-metals.com](http://www.acm-metals.com)