



NORANDEX™

EXTERIOR PRODUCTS FOR YOUR HOME

*See NEW Premium
Stainless Steel Micro
Mesh Gutter Screen
Pg 24*

**RAINWARE, TRIM COIL
& SIDING ACCESSORIES**

Beloit Plant

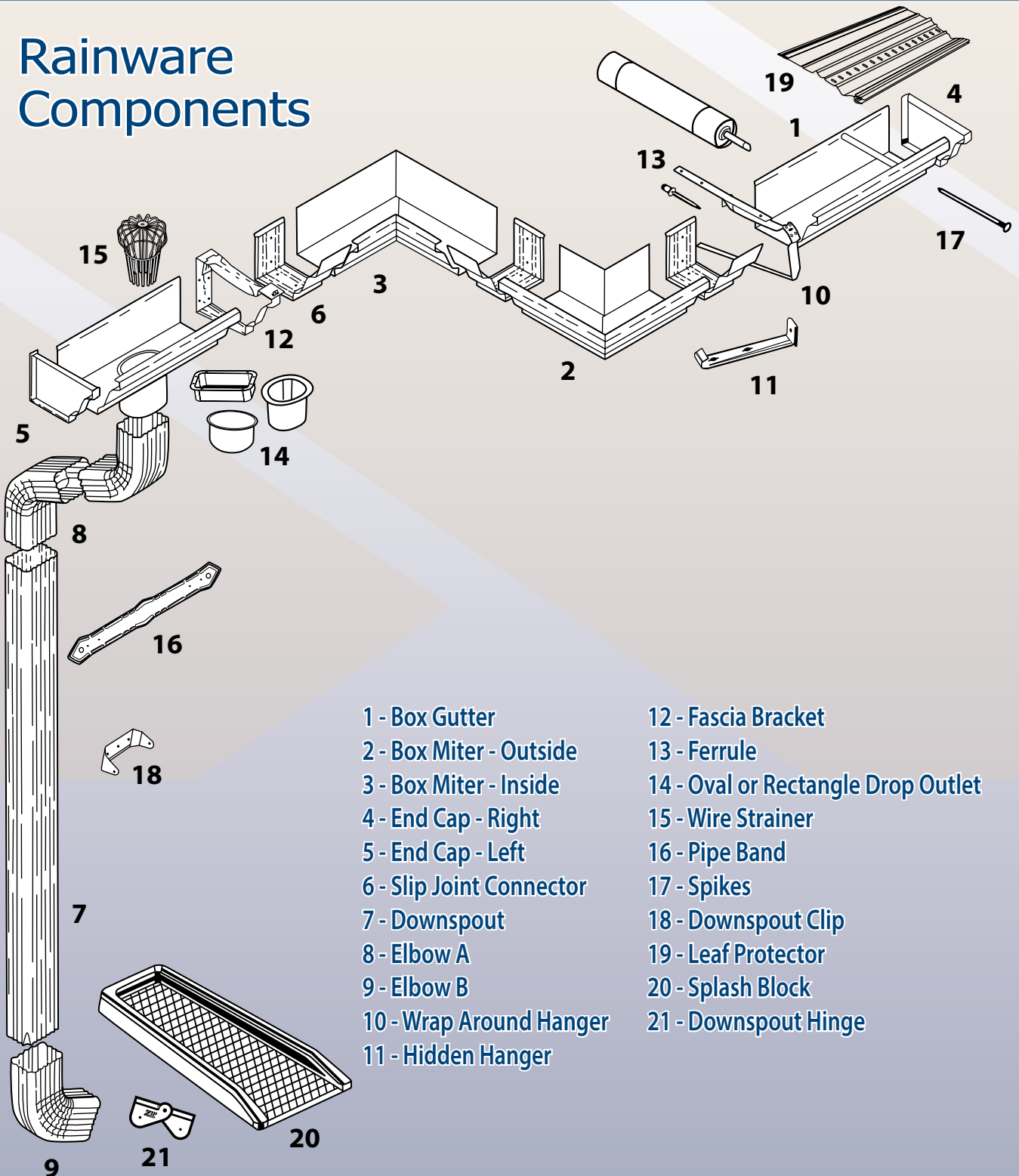
www.acm-metals.com



NORANDEX™

EXTERIOR PRODUCTS FOR YOUR HOME

Rainware Components



- | | |
|--------------------------|------------------------------------|
| 1 - Box Gutter | 12 - Fascia Bracket |
| 2 - Box Miter - Outside | 13 - Ferrule |
| 3 - Box Miter - Inside | 14 - Oval or Rectangle Drop Outlet |
| 4 - End Cap - Right | 15 - Wire Strainer |
| 5 - End Cap - Left | 16 - Pipe Band |
| 6 - Slip Joint Connector | 17 - Spikes |
| 7 - Downspout | 18 - Downspout Clip |
| 8 - Elbow A | 19 - Leaf Protector |
| 9 - Elbow B | 20 - Splash Block |
| 10 - Wrap Around Hanger | 21 - Downspout Hinge |
| 11 - Hidden Hanger | |



Table of Contents

Gutter Coil Conversion Chart	2	Round/Half Round Products	21-23
Gutters	3-4	Half Round Brackets	23
Gutter Coil	3	Half Round Hidden Hangers	23
Spin Down Gutter Coil	4	Half Round T-Wedge Hangers	23
Downspouts	5	Gutter Protection	24-25
Elbows	6-7	Gutter Protection Screen Systems	24
Variable Degree Elbows	8	Gutter Protection Perforated	25
Offsets	9-10	& Cover Systems	
Conductor Heads	10	Gutter Protection & Accessories.....	26
Downspout Accessories	11-12	Trim Coil Offering	27-28
Outlets	11	Norandex™	27
Wire Strainers	11	Mastic Comparable	27
PVC Adapters	11	Textured, Mar-Resistant Window Trim Coil	27
Y Adapters	11	Specialty Coils	27
Y Diverters	11	Certaiteed Comparable.....	28
Funnels	12	Exterior Portfolio Comparable	28
Downspout Bands	12	Variform Comparable.....	28
Downspout Clips	12	Royal Comparable	28
Downspout Cleats	12	James Hardie Comparable	28
Downspout Hinges	12	Allura™ ColorMax® Comparable	29
Splash Blocks	12	LP® Siding SmartSide® Comparable	29
Miters	13	Everlast® by Norandex™	29
Extreme™ Miters	13	Extreme Windows by Norandex™	29
Box Miters.....	13	Perfexion by Norandex™	29
Bay Miters.....	13	Pella® Window Comparable.....	29
Strip Miters & Joints	14	Andersen® Windows Comparable.....	29
Strip Miters	14	Fascia	30-31
Expansion Joints	14	4" Fascia	30
Slip Joints	14	6" Fascia	30
End Caps	15	8" Fascia.....	31
Hangers	16-18	10" Fascia	31
Hidden	16	Soffit	32
Wrap Around	17	12" Premium Hidden Vent Soffit	32
T-Bar.....	17	12" Double 6 D6 Soffit	32
Vampire.....	17	12" Soffit	32
Hangers with Screws	18	16" Soffit	32
Rainware Accessories	18-19	Siding Accessories	33-35
T-Wedges & Gutter Wedges	18	F-Channel	33
Spikes	18	J-Channel	33
Ferrules	19	Miter Divider	33
Fascia Brackets.....	19	Siders Edge.....	34
Drive Pins	19	Starter Strip.....	34
Round/Half Round Products	20	Z-Flashing.....	34
Half Round Gutters.....	20	Drip Cap.....	35
Round Downspouts.....	20	Norandex™ Aluminum Warranty	36
Round/Half Round Products	21-23	Norandex™ Steel Warranty	37
Round Elbows.....	21	Norandex™ Trim Coil Color Swatches	39
Round Offsets.....	21		
Half Round Outlets	22	PROUDLY FINISHED WITH	
Half Round Miters.....	22	SHERWIN-WILLIAMS.	
Half Round Slip Joints	22	Coil Coatings	
Half Round End Caps	22		

To place orders for metal products, please call:
 Beloit Plant Customer Service: **Ph 877-279-5096 • Fax 608-365-0493**
www.acm-metals.com

For siding and window inquiries, please call Norandex™ Corporate Customer Service at **800-528-0942**



Gutter Coil Conversion Factors

(Determining Feet to Weight)

Coil Width	Nominal Thickness	Conversion Multiplier Formula			
11-3/4"	.027" Alum.	lin. ft. _____	X	.377 = _____	# lbs.
11-7/8"	.027" Alum.	lin. ft. _____	X	.380 = _____	# lbs.
14"	.027" Alum.	lin. ft. _____	X	.453 = _____	# lbs.
15"	.027" Alum.	lin. ft. _____	X	.476 = _____	# lbs.
11-3/4"	.032" Alum.	lin. ft. _____	X	.446 = _____	# lbs.
11-7/8"	.032" Alum.	lin. ft. _____	X	.450 = _____	# lbs.
13"	.032" Alum.	lin. ft. _____	X	.500 = _____	# lbs.
15"	.032" Alum.	lin. ft. _____	X	.571 = _____	# lbs.
18"	.032" Alum.	lin. ft. _____	X	.678 = _____	# lbs.
11-7/8"	26 ga. Steel	lin. ft. _____	X	.768 = _____	# lbs.
12"	26 ga. Steel	lin. ft. _____	X	.775 = _____	# lbs.
13"	26 ga. Steel	lin. ft. _____	X	.839 = _____	# lbs.
14"	26 ga. Steel	lin. ft. _____	X	.904 = _____	# lbs.
15"	26 ga. Steel	lin. ft. _____	X	.969 = _____	# lbs.
19"	26 ga. Steel	lin. ft. _____	X	1.23 = _____	# lbs.
11-7/8"	26 ga. Galvalume	lin. ft. _____	X	.72 = _____	# lbs.
15"	26 ga. Galvalume	lin. ft. _____	X	.90 = _____	# lbs.
11-7/8"	16 oz. Copper	lin. ft. _____	X	.99 = _____	# lbs.
15"	16 oz. Copper	lin. ft. _____	X	1.25 = _____	# lbs.

To process an order for a spin down quantity, determine the number of pounds based on the requested footage by the contractor. Enter the number of pounds on the ticket noting the required footage. After spinning down the required coil footage, re-weigh the coil to verify the actual pounds of coil taken out of inventory. Note the actual weight in shipped column of the ticket. Update the tickets to adjust the invoice accordingly. This process ensures proper invoicing and accurate inventory levels.

These coils are cut from master coils which are slightly thicker in the middle to avoid oil canning during the painting process. The gauge can vary slightly depending on where the coil was cut from the master coil. Inventory will vary if the product is sold by footage and not weight. Remember, product is purchased by the pound. Re-weighing is necessary for accuracy.

A NOTE ABOUT COLOR SELECTION

NORANDEX™ provides color chip cards which show a close representation of the color. The purpose of color chip cards is to narrow down the homeowner choice of colors. Depending upon the substrate, the final selection should always be based on either an aluminum or steel color tile fan deck, viewed in full sunlight.

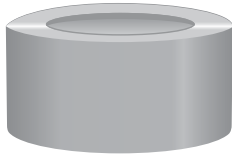
Metallic colors, such as Copper Penny (CP), Bronze (BZ), Rustic Copper (M2), and Weathered Bronze (WB), have mica (refractive) or aluminum (reflective) flakes added to the paint finish. The color of different products may be the same (as measured on a colorimeter), but the visual appearance may look slightly different when viewed from different angles and varying amount of sunlight. This is a normal occurring phenomenon and is due the chance positioning of the mica and aluminum flakes when added to the paint finish.



NORANDEX™ Gutters

BELOIT PLANT

Gutter Coil



Part #	Description	Colors	Nom. Gauge/ Thickness	Rolls/ Pallet
AGC21134 - -	Aluminum 11'3/4" Coil	(Listed Below)	0.027	3
AGC21134M2	Aluminum 11'3/4" Coil	M2 (Premium Color)	0.027	3
AGC21178 - -	Aluminum 11'7/8" Coil	(Listed Below)	0.027	3
AGC21178M2	Aluminum 11'7/8" Coil	M2 (Premium Color)	0.027	3
AGC215 - -	Aluminum 15" Coil	(Listed Below)	0.027	2
AGC215M2	Aluminum 15" Coil	M2 (Premium Color)	0.027	2
AGC31134 - -	Aluminum 11'3/4" Coil	(Listed Below)	0.032	3
AGC31134M2	Aluminum 11'3/4" Coil	M2 (Premium Color)	0.032	3
AGC31178 - -	Aluminum 11'7/8" Coil	(Listed Below)	0.032	3
AGC31178M2	Aluminum 11'7/8" Coil	M2 (Premium Color)	0.032	3
AGC315 - -	Aluminum 15" Coil	(Listed Below)	0.032	2
AGC315M2	Aluminum 15" Coil	M2 (Premium Color)	0.032	2
*AGC318 - - - -	Aluminum 18" Coil	BZ/FR, RB/WH	0.032	2
<i>*18" Gutter Coil cannot be sold in spin down quantities.</i>				
GGC114 - -	Galv. 11'7/8" Coil	PR, WH	26 ga	2
GGC114 - - - -	Galv. 11'7/8" Coil	BB/WH, CC/WH, CG/HG, DS/WH, EG/WH, ES/BZ, HV/WH, MB/WH, PC/WH, RB/WH, RW/BK, TA/CU, VG/WH, WI/WH	26 ga	2
GGC154 - -	Galv.15" Coil	PR, WH	26 ga	2
GGC154 - - - -	Galv.15" Coil	BB/WH, CC/WH, CG/HG, DS/WH, EG/WH, ES/BZ, HV/WH, MB/WH, PC/WH, RB/WH, RW/BK, TA/CU, VG/WH, WI/WH	26 ga	2

NOTE: Rustic Copper (M2) accessories, including miters and end caps, may display paint finish variations due to the metallic painting process, which may affect matching components.

Rainware & Accessories Aluminum Colors | ●=Color-Thru System™

COLOR	CODE	COLOR	CODE	COLOR	CODE	COLOR	CODE	COLOR	CODE
● NX ALMOND	AD	● CLASSIC CREAM	CC	● NX GRANITE	GG	PG METALLIC*	M3	● NX SIERRA CLAY	SI
● ALMOND	AL	● COPPER PENNY	CP	● HARBOR GREY	HG	● REDWOOD	RW	● NX SILVER/SILVER GREY	SG
● BEAVER BROWN	BB	● COUNTRY BLUE	CU	● JEFFERSON TAN	JT	● ROYAL BROWN	RB	● NX TAN	TN
● BLACK	BK	● DESERT SAND	DS	● NX LINEN	LN	● NX RUSSET	RT	● TERRA BRONZE	TB
● BRONZE	BZ	● NX DUNE	CD	● LINEN	LI	★ RUSTIC COPPER	M2	● VICTORIAN GREY	VG
● BROOKSTONE	BS	EGG SHELL*	ES	● MONTANA SUEDE	MS	SAGE*	SA	● VILLAGE GREEN	VI
● BUCKSKIN	BU	EVEREST	EV	● MUSKET BROWN	MB	● NX SAND	SD	● WICKER	WI
● CAMEO	CA	● EVERGREEN	EG	● NORWEGIAN WOOD	NW	● NX SAND STONE	SS	● 30 WHITE	WH
● NX CHAMPAGNE	CH	FROST	FR	● PEBBLESTONE CLAY	PC	● SANDTONE	ST	● 80 WHITE	80
● CHARCOAL GREY	CG								

***Not available - .027:** ●11'3/4" M3 ●11'7/8" SA, ES ●15" SA
.032: ●11'3/4" AD, ES, M3, SA ●11'7/8" M3 ●15" M3

***Rustic Copper is a PREMIUM color. NOTE:** Rustic Copper (M2) accessories, including miters and end caps, may display paint finish variations due to the metallic painting process, which may affect matching components.


Rainware Steel Colors:

COLOR	CODE	COLOR	CODE	COLOR	CODE	COLOR	CODE	COLOR	CODE
BEAVER BROWN	BB	CLASSIC CREAM	CC	EVERGREEN	EG	PEBBLESTONE CLAY	PC	TAHOE BLUE	TA
BLACK	BK	COUNTRY BLUE	CU	HARBOR GREY	HG	PRIME	PR	VICTORIAN GREY	VG
BRONZE	BZ	DESERT SAND	DS	HARVEST BROWN	HV	REDWOOD	RW	WICKER	WI
CHARCOAL GREY	CG	EGGSHELL	ES	MUSKET BROWN	MB	ROYAL BROWN	RB	30 WHITE	WH



NORANDEX™ Gutters

BELOIT PLANT

Spin Down Gutter Coil		Part #	Description	Colors	Nom. Gauge/ Thickness	Pieces/ Pound
	ASC21134	--	Aluminum 11'3/4" Coil	(Listed Below)	0.027	Order by the lb.
	ASC21178	--	Aluminum 11'7/8" Coil	(Listed Below)	0.027	Order by the lb.
	ASC21178M2		Aluminum 11'7/8" Coil	M2 (Premium Color)	0.027	Order by the lb.
	ASC215	--	Aluminum 15" Coil	(Listed Below)	0.027	Order by the lb.
	ASC215M2		Aluminum 15" Coil	M2 (Premium Color)	0.027	Order by the lb.
	ASC31134	--	Aluminum 11'3/4" Coil	(Listed Below)	0.032	Order by the lb.
	ASC31178	--	Aluminum 11'7/8" Coil	(Listed Below)	0.032	Order by the lb.
	ASC315	--	Aluminum 15" Coil	(Listed Below)	0.032	Order by the lb.
	GSC61178WH		Galvanized 11'7/8" Coil	WH	26 ga	Order by the lb.
	GSC61178PR		Galvanized 11'7/8" Coil	PR	26 ga	Order by the lb.
GSC611	----	Galvanized 11'7/8" Coil	BB/WH, CC/WH, CG/HG, DS/WH, EG/WH, ES/BZ, HV/WH, MB/WH, PC/WH, RB/WH, RW/BK, TA/CU, VG/WH, WI/WH	26 ga	Order by the lb.	
GSC154	--	Galvanized 15" Coil	PR, WH	26 ga	Order by the lb.	
GSC154	----	Galvanized 15" Coil	BB/WH, CC/WH, CG/HG, DS/WH, EG/WH, ES/BZ, HV/WH, MB/WH, PC/WH, RB/WH, RW/BK, TA/CU, VG/WH, WI/WH	26 ga	Order by the lb.	
LSC61178		Galvalume 11'7/8" Coil	Mill	26 ga	Order by the lb.	
LSC615		Galvalume 15" Coil	Mill	26 ga	Order by the lb.	
CSC21178		Copper 11'7/8" Coil	Copper	16 oz	Order by the lb.	
CSC215		Copper 15" Coil	Copper	16 oz	Order by the lb.	

Note: Min. of 25 lbs./Max. of 150 lbs.

As an extra service, we'll spin down small quantities of a slow moving color on a special order basis. Minimum quantity is 25 lbs.

Please note, once order is activated, no returns or changes can be made.

Rainware & Accessories Aluminum Colors | ● = Color-Thru System™

COLOR	CODE	COLOR	CODE	COLOR	CODE	COLOR	CODE	COLOR	CODE
● NX ALMOND	AD	● CLASSIC CREAM	CC	● NX GRANITE	GG	PG METALLIC*	M3	● NX SIERRA CLAY	SI
● ALMOND	AL	● COPPER PENNY	CP	● HARBOR GREY	HG	● REDWOOD	RW	● NX SILVER/SILVER GREY	SG
● BEAVER BROWN	BB	● COUNTRY BLUE	CU	● JEFFERSON TAN	JT	● ROYAL BROWN	RB	● NX TAN	TN
● BLACK	BK	● DESERT SAND	DS	● NX LINEN	LN	● NX RUSSET	RT	● TERRA BRONZE	TB
● BRONZE	BZ	● NX DUNE	CD	● LINEN	LI	★RUSTIC COPPER	M2	● VICTORIAN GREY	VG
● BROOKSTONE	BS	● EGG SHELL*	ES	● MONTANA SUEDE	MS	● SAGE*	SA	● VILLAGE GREEN	VI
● BUCKSKIN	BU	● EVEREST	EV	● MUSKET BROWN	MB	● NX SAND	SD	● WICKER	WI
● CAMEO	CA	● EVERGREEN	EG	● NORWEGIAN WOOD	NW	● NX SAND STONE	SS	● 30 WHITE	WH
● NX CHAMPAGNE	CH	● FROST	FR	● PEBBLESTONE CLAY	PC	● SANDTONE	ST	● 80 WHITE	80
● CHARCOAL GREY	CG								

*Not available - **.027:** ●11'3/4" M3 ●11'7/8" SA, ES ●15" SA
.032: ●11'3/4" AD, ES, M3, SA ●11'7/8" M3 ●15" M3

★Rustic Copper is a PREMIUM color. NOTE: Rustic Copper (M2) accessories, including miters and end caps, may display paint finish variations due to the metallic painting process, which may affect matching components.

Rainware Steel Colors:

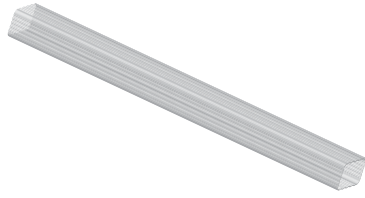
COLOR	CODE	COLOR	CODE	COLOR	CODE	COLOR	CODE	COLOR	CODE
BEAVER BROWN	BB	CLASSIC CREAM	CC	EVERGREEN	EG	PEBBLESTONE CLAY	PC	TAHOE BLUE	TA
BLACK	BK	COUNTRY BLUE	CU	HARBOR GREY	HG	PRIME	PR	VICTORIAN GREY	VG
BRONZE	BZ	DESERT SAND	DS	HARVEST BROWN	HV	REDWOOD	RW	WICKER	WI
CHARCOAL GREY	CG	EGGSHELL	ES	MUSKET BROWN	MB	ROYAL BROWN	RB	30 WHITE	WH



NORANDEX™ Downspouts

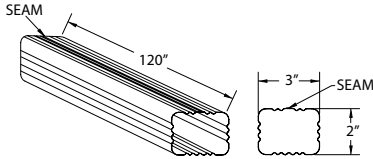
BELOIT PLANT

Downspouts

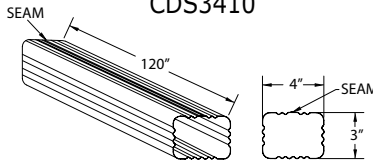


Part #	Description	Colors	Nom. Gauge/ Thickness	Piece Length	Pieces/ Box	Boxes/ Pallet
ADS238 - -	Aluminum 2 x 3 x 8' DS	(Listed Below)	0.019	8'	10	28
ADS238M2	Aluminum 2 x 3 x 8' DS	M2 (Premium Color)	0.019	8'	10	28
ADS2310 - -	Aluminum 2 x 3 x 10' DS	(Listed Below)	0.019	10'	10	28
ADS2310M2	Aluminum 2 x 3 x 10' DS	M2 (Premium Color)	0.019	10'	10	28
ADS2311 - -	Aluminum 2 x 3 x 11' DS	(Listed Below)	0.019	11'	10	28
ADS348 - -	Aluminum 3 x 4 x 8' DS	(Listed Below)	0.019	8'	10	15
ADS348M2	Aluminum 3 x 4 x 8' DS	M2 (Premium Color)	0.019	8'	10	15
ADS3410 - -	Aluminum 3 x 4 x 10' DS	(Listed Below)	0.019	10'	10	15
ADS3410M2	Aluminum 3 x 4 x 10' DS	M2 (Premium Color)	0.019	10'	10	15
ADS23410 - -	Aluminum 3 x 4 x 10' DS	AL, BK, BZ, CA, CG, CC, EG, FR, MB, NW, PC, RW, RB, SI, TB, WH, 80, WI	0.024	10'	10	15
ADS24510 - -	Aluminum 4 x 5 x 10' DS	AL, AI, BK, BZ, CC, CG, ES, FR, MB, RB, ST, SI, TB, WH, 80, WI	0.027	10'	6	15

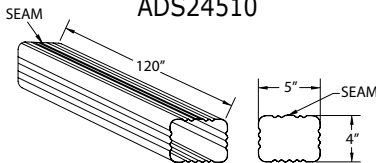
ADS2310, CDS2310



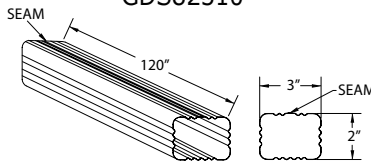
ADS3410, ADS23410, CDS3410



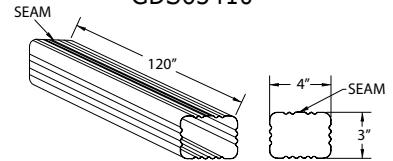
ADS24510



GDS82310



GDS63410



GDS8238 - -	Galvanized 2 x 3 x 8' Corrugated	(Steel Colors)	28 ga	8'	10	
GDS8238PR	Galvanized 2 x 3 x 8' Corrugated	Prime	28 ga	8'	10	
GDS82310 - -	Galvanized 2 x 3 x 10' Corrugated	(Steel Colors)	28 ga	10'	10	
GDS82310PR	Galvanized 2 x 3 x 10' Corrugated	Prime	28 ga	10'	10	
GDS82310ML	Galvanized 2 x 3 x 10' Corrugated	Mill	28 ga	10'	10	
GDS63410 - -	Galvanized 3 x 4 Corrugated	(Steel Colors)	26 ga	10'	5	
GDS63410PR	Galvanized 3 x 4 Corrugated	Prime	26 ga	10'	5	
GDS63410ML	Galvanized 3 x 4 Corrugated	Mill	26 ga	10'	5	
LDS238	Galvalume 2 x 3 x 8' DS	Mill	26 ga	10'	10	
LDS2310	Galvalume 2 x 3 x 10' DS	Mill	26 ga	10'	10	
LDS348	Galvalume 3 x 4 x 8' DS	Mill	26 ga	10'	10	
LDS3410	Galvalume 3 x 4 x 10' DS	Mill	26 ga	10'	5	
CDS2310	Copper 2 x 3 x 10' DS	Copper	10 oz	10'		Order by the pc.
CDS3410	Copper 3 x 4 x 10' DS	Copper	10 oz	10'		Order by the pc.

Rainware & Accessories Aluminum Colors | ●=Color-Thru System™

COLOR	CODE	COLOR	CODE	COLOR	CODE	COLOR	CODE	COLOR	CODE
● NX ALMOND	AD	● CLASSIC CREAM	CC	● NX GRANITE	GG	PG METALLIC*	M3	● NX SIERRA CLAY	SI
● ALMOND	AL	● COPPER PENNY	CP	● HARBOR GREY	HG	● REDWOOD	RW	● NX SILVER/SILVER GREY	SG
● BEAVER BROWN	BB	● COUNTRY BLUE	CU	● JEFFERSON TAN	JT	● ROYAL BROWN	RB	● NX TAN	TN
● BLACK	BK	● DESERT SAND	DS	● NX LINEN	LN	● NX RUSSET	RT	● TERRA BRONZE	TB
● BRONZE	BZ	● NX DUNE	CD	● LINEN	LI	★RUSTIC COPPER	M2	● VICTORIAN GREY	VG
● BROOKSTONE	BS	EGG SHELL*	ES	● MONTANA SUEDE	MS	SAGE*	SA	● VILLAGE GREEN	VI
● BUCKSKIN	BU	● EVEREST	EV	● MUSKET BROWN	MB	● NX SAND	SD	● WICKER	WI
● CAMEO	CA	● EVERGREEN	EG	● NORWEGIAN WOOD	NW	● NX SAND STONE	SS	● 30 WHITE	WH
● NX CHAMPAGNE	CH	FROST	FR	● PEBBLESTONE CLAY	PC	● SANDTONE	ST	● 80 WHITE	80
● CHARCOAL GREY	CG								

★Rustic Copper is a PREMIUM color. NOTE: Rustic Copper (M2) accessories, including miters and end caps, may display paint finish variations due to the metallic painting process, which may affect matching components.

Rainware Steel Colors:

COLOR	CODE	COLOR	CODE	COLOR	CODE	COLOR	CODE	COLOR	CODE
BEAVER BROWN	BB	CLASSIC CREAM	CC	EVERGREEN	EG	PEBBLESTONE CLAY	PC	TAHOE BLUE	TA
BLACK	BK	COUNTRY BLUE	CU	HARBOR GREY	HG	PRIME	PR	VICTORIAN GREY	VG
BRONZE	BZ	DESERT SAND	DS	HARVEST BROWN	HV	REDWOOD	RW	WICKER	WI
CHARCOAL GREY	CG	EGGSHELL	ES	MUSKET BROWN	MB	ROYAL BROWN	RB	30 WHITE	WH

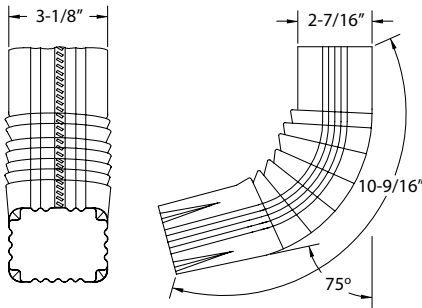


NORANDEX™ Elbows

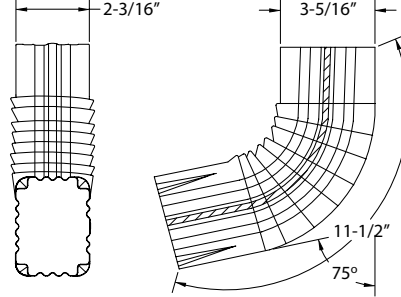
BELOIT PLANT

Elbows	Part #	Description	Colors	Nom. Gauge/ Thickness	Piece Length	Pieces/ Box	Boxes/ Pallet
	AAE23 - -	Aluminum 2 x 3 A's	(Listed Below)	0.019	10-9/16"	30	32
	AAE23M2	Aluminum 2 x 3 A's	M2 (Premium Color)	0.019	10-9/16"	30	32
	ABE23 - -	Aluminum 2 x 3 B's	(Listed Below)	0.019	11-1/2"	30	32
	ABE23M2	Aluminum 2 x 3 B's	M2 (Premium Color)	0.019	11-1/2"	30	32
	AAE34 - -	Aluminum 3 x 4 A's	(Listed Below)	0.019	12-3/4"	30	16
	AAE34M2	Aluminum 3 x 4 A's	M2 (Premium Color)	0.019	12-3/4"	30	16
	ABE34 - -	Aluminum 3 x 4 B's	(Listed Below)	0.019	15"	30	16
	ABE34M2	Aluminum 3 x 4 B's	M2 (Premium Color)	0.019	15"	30	16
	AAE234 - -	Aluminum 3 x 4 A's	AL, BK, BZ, CA, CG, CC, EG, FR, MB, NW, PC, RW, RB, SI, TB, WH, 80, WI	0.024	12-3/4"	30	16
	ABE234 - -	Aluminum 3 x 4 B's	AL, BK, BZ, CA, CG, CC, EG, FR, MB, NW, PC, RW, RB, SI, TB, WH, 80, WI	0.024	15"	30	16
AAE245 - -	Aluminum 4 x 5 A's	AL, AI, BK, BZ, CC, CG, ES, FR, MB, RB, ST, SI, TB, WH, 80, WI	0.027	15-1/2"	9	12	
ABE245 - -	Aluminum 4 x 5 B's	AL, AI, BK, BZ, CC, CG, ES, FR, MB, RB, ST, SI, TB, WH, 80, WI	0.027	15-3/4"	9	12	

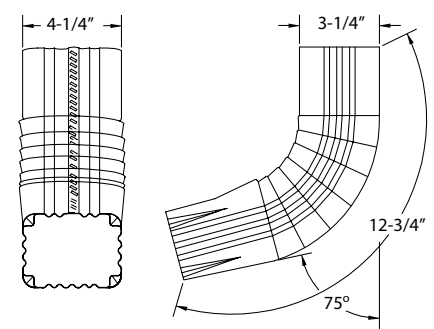
AAE23 A-Elbow



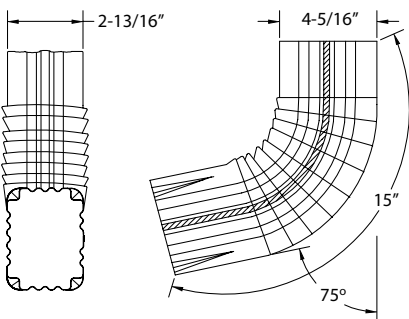
ABE23 B-Elbow



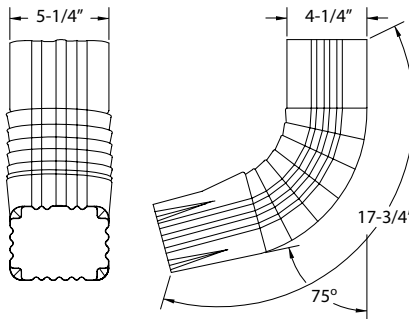
AAE34, AAE234 A-Elbow



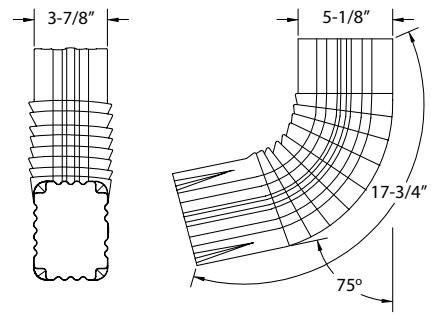
ABE34, ABE234 B-Elbow



AAE245 A-Elbow



ABE245 B-Elbow



Rainware & Accessories Aluminum Colors | ● = Color-Thru System™

COLOR	CODE	COLOR	CODE	COLOR	CODE	COLOR	CODE	COLOR	CODE
● NX ALMOND	AD	● CLASSIC CREAM	CC	● NX GRANITE	GG	PG METALLIC*	M3	● NX SIERRA CLAY	SI
● ALMOND	AL	● COPPER PENNY	CP	● HARBOR GREY	HG	● REDWOOD	RW	● NX SILVER/SILVER GREY	SG
● BEAVER BROWN	BB	● COUNTRY BLUE	CU	● JEFFERSON TAN	JT	● ROYAL BROWN	RB	● NX TAN	TN
● BLACK	BK	● DESERT SAND	DS	● NX LINEN	LN	● NX RUSSET	RT	● TERRA BRONZE	TB
● BRONZE	BZ	● NX DUNE	CD	● LINEN	LI	★RUSTIC COPPER	M2	● VICTORIAN GREY	VG
● BROOKSTONE	BS	● EGG SHELL*	ES	● MONTANA SUEDE	MS	● SAGE*	SA	● VILLAGE GREEN	VI
● BUCKSKIN	BU	● EVEREST	EV	● MUSKET BROWN	MB	● NX SAND	SD	● WICKER	WI
● CAMEO	CA	● EVERGREEN	EG	● NORWEGIAN WOOD	NW	● NX SAND STONE	SS	● 30 WHITE	WH
● NX CHAMPAGNE	CH	● FROST	FR	● PEBBLESTONE CLAY	PC	● SANDTONE	ST	● 80 WHITE	80
● CHARCOAL GREY	CG								

★Rustic Copper is a PREMIUM color. NOTE: Rustic Copper (M2) accessories, including miters and end caps, may display paint finish variations due to the metallic painting process, which may affect matching components.



NORANDEX™ Elbows

BELOIT PLANT

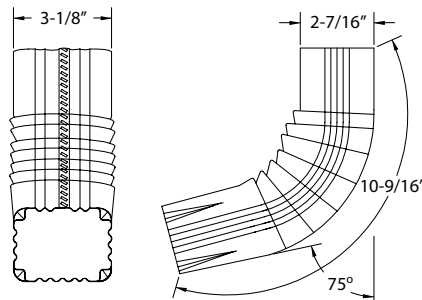
Elbows cont.



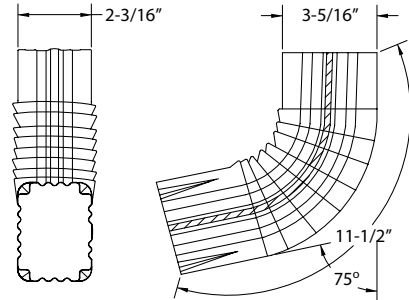
Part #	Description	Colors	Nom. Gauge/ Thickness	Piece Length	Pieces/ Box	Boxes/ Pallet
GAE823 - -	Galv. 2 x 3 A Corrugated	(Steel Colors)	28 ga	10-9/16"	30	32
GBE823 - -	Galv. 2 x 3 B Corrugated	(Steel Colors)	28 ga	11-1/2"	30	32
GAE823PR	Galv. 2 x 3 A Corrugated	Prime	28 ga	10-9/16"	30	32
GBE823PR	Galv. 2 x 3 B Corrugated	Prime	28 ga	11-1/2"	30	32
GAE823ML	Galv. 2 x 3 A Corrugated	Mill	28 ga	10-9/16"	30	32
GBE823ML	Galv. 2 x 3 B Corrugated	Mill	28 ga	11-1/2"	30	32
GAE634 - -	Galv. 3 x 4 A Corrugated	(Steel Colors)	26 ga	12-3/4"	30	16
GBE634 - -	Galv. 3 x 4 B Corrugated	(Steel Colors)	26 ga	15"	30	16
GAE634PR	Galv. 3 x 4 A Corrugated	Prime	26 ga	12-3/4"	30	16
GBE634PR	Galv. 3 x 4 B Corrugated	Prime	26 ga	15"	30	16
GAE634ML	Galv. 3 x 4 A Corrugated	Mill	26 ga	12-3/4"	30	16
GBE634ML	Galv. 3 x 4 B Corrugated	Mill	26 ga	15"	30	16
LAE23	Galvalume 2 x 3 A's	Mill	26 ga	12-3/4"	30	16
LBE23	Galvalume 2 x 3 B's	Mill	26 ga	15"	30	16
LAE34	Galvalume 3 x 4 A's	Mill	26 ga	12-3/4"	30	16
LBE34	Galvalume 3 x 4 B's	Mill	26 ga	15"	30	16
CAE23	Copper 2 x 3 A's	Copper	10 oz	10-9/16"	Order by the pc.	
CBE23	Copper 2 x 3 B's	Copper	10 oz	11-1/2"	Order by the pc.	
CAE34	Copper 3 x 4 A's	Copper	10 oz	12-3/4"	Order by the pc.	
CBE34	Copper 3 x 4 B's	Copper	10 oz	15"	Order by the pc.	

NOTE: Rustic Copper (M2) accessories, including miters and end caps, may display paint finish variations due to the metallic painting process, which may affect matching components.

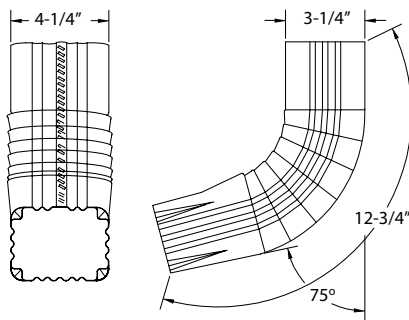
GAE823, CAE23 A-Elbow



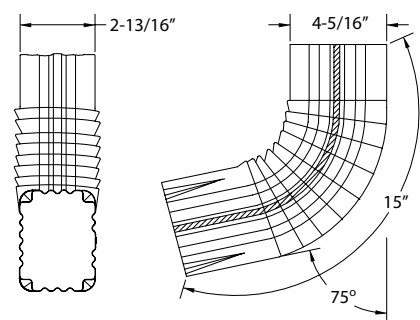
GBE823, CAE23 B-Elbow



GAE634, CAE34 A-Elbow



GBE634, CBE34 B-Elbow



Rainware Steel Colors:

COLOR	CODE	COLOR	CODE	COLOR	CODE	COLOR	CODE	COLOR	CODE
BEAVER BROWN	BB	CLASSIC CREAM	CC	EVERGREEN	EG	PEBBLESTONE CLAY	PC	TAHOE BLUE	TA
BLACK	BK	COUNTRY BLUE	CU	HARBOR GREY	HG	PRIME	PR	VICTORIAN GREY	VG
BRONZE	BZ	DESERT SAND	DS	HARVEST BROWN	HV	REDWOOD	RW	WICKER	WI
CHARCOAL GREY	CG	EGGSHELL	ES	MUSKET BROWN	MB	ROYAL BROWN	RB	30 WHITE	WH



NORANDEX™ Variable Degree Elbows

BELOIT PLANT

Variable Degree Elbows

This chart shows the roof pitch paired to the approximate variable degree elbow.

ROOF PITCH	DEGREE	CRIMP QTY.
Mansard	15°	1
18/12	22°	2
16/12	22°	2
14/12	22°	2
12/12	30°	3
10/12	45°	4
8/12	45°	4
6/12	45°	4
4/12	75°	7

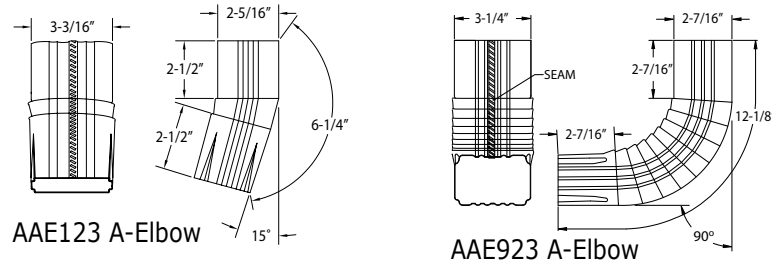
Variable degree elbows are used to go around obstructions (ledge jumpers) or transition to the slope of the roof. Number of crimps to create angle can vary with manufacturer.

Part #	Description	Colors	Nom. Gauge/ Thickness	Pieces/ Box	Boxes/ Pallet
AAE123 - -	Aluminum 2 x 3 A's 15°	*(Listed Below)	0.019	30	32
AAE2223 - -	Aluminum 2 x 3 A's 22°	*(Listed Below)	0.019	30	16
AAE323 - -	Aluminum 2 x 3 A's 30°	*(Listed Below)	0.019	30	16
AAE423 - -	Aluminum 2 x 3 A's 45°	*(Listed Below)	0.019	30	16
AAE923 - -	Aluminum 2 x 3 A's 90°	*(Listed Below)	0.019	30	16
AAE134 - -	Aluminum 3 x 4 A's 15°	*(Listed Below)	0.019	30	6
AAE2234 - -	Aluminum 3 x 4 A's 22°	*(Listed Below)	0.019	30	16
AAE334 - -	Aluminum 3 x 4 A's 30°	*(Listed Below)	0.019	30	8
AAE434 - -	Aluminum 3 x 4 A's 45°	*(Listed Below)	0.019	30	16
AAE934 - -	Aluminum 3 x 4 A's 90°	*(Listed Below)	0.019	30	16
AAE2445 - -	Aluminum 4 x 5 A's 45°	*(Listed Below)	0.027	9	20
ABE123 - -	Aluminum 2 x 3 B's 15°	*(Listed Below)	0.019	30	32
ABE2223 - -	Aluminum 2 x 3 B's 22°	*(Listed Below)	0.019	30	16
ABE323 - -	Aluminum 2 x 3 B's 30°	*(Listed Below)	0.019	30	16
ABE423 - -	Aluminum 2 x 3 B's 45°	*(Listed Below)	0.019	30	16
ABE923 - -	Aluminum 2 x 3 B's 90°	*(Listed Below)	0.019	30	16
ABE134 - -	Aluminum 3 x 4 B's 15°	*(Listed Below)	0.019	30	6
ABE2234 - -	Aluminum 3 x 4 B's 22°	*(Listed Below)	0.019	30	16
ABE334 - -	Aluminum 3 x 4 B's 30°	*(Listed Below)	0.019	30	6
ABE434 - -	Aluminum 3 x 4 B's 45°	*(Listed Below)	0.019	30	16
ABE934 - -	Aluminum 3 x 4 B's 90°	*(Listed Below)	0.019	30	16
ABE2445 - -	Aluminum 4 x 5 B's 45°	*(Listed Below)	0.027	9	20
LAE334	Galvalume 3 x 4 A's 30°	Mill	26 ga	30	16
LAE434	Galvalume 3 x 4 A's 45°	Mill	26 ga	30	16

*Note: Also available in premium color Rustic Copper (M2).

Galvanized 15°, 22°, 30°, & 45° elbows also available in steel colors listed below. Please check color availability with our Customer Service team.

- Part #'s for "A" 2 x 3: 15° = GAE8123 - - 22° = GAE82223 - - 30° = GAE8323 - - 45° = GAE8423 - -
- Part #'s for "B" 2 x 3: 15° = GBE8123 - - 22° = GBE82223 - - 30° = GBE8323 - - 45° = GBE8423 - -
- Part #'s for "A" 3 x 4: 15° = GAE6134 - - 22° = GAE62234 - - 30° = GAE6334 - - 45° = GAE6434 - -
- Part #'s for "B" 3 x 4: 15° = GBE6134 - - 22° = GBE62234 - - 30° = GBE6334 - - 45° = GBE6434 - -



Rainware & Accessories Aluminum Colors | ● = Color-Thru System™

COLOR	CODE	COLOR	CODE	COLOR	CODE	COLOR	CODE	COLOR	CODE
● NX ALMOND	AD	● CLASSIC CREAM	CC	● NX GRANITE	GG	PG METALLIC*	M3	● NX SIERRA CLAY	SI
● ALMOND	AL	● COPPER PENNY	CP	● HARBOR GREY	HG	● REDWOOD	RW	● NX SILVER/SILVER GREY	SG
● BEAVER BROWN	BB	● COUNTRY BLUE	CU	● JEFFERSON TAN	JT	● ROYAL BROWN	RB	● NX TAN	TN
● BLACK	BK	● DESERT SAND	DS	● NX LINEN	LN	● NX RUSSET	RT	● TERRA BRONZE	TB
● BRONZE	BZ	● NX DUNE	CD	● LINEN	LI	★RUSTIC COPPER	M2	● VICTORIAN GREY	VG
● BROOKSTONE	BS	● EGG SHELL*	ES	● MONTANA SUEDE	MS	● SAGE*	SA	● VILLAGE GREEN	VI
● BUCKSKIN	BU	● EVEREST	EV	● MUSKET BROWN	MB	● NX SAND	SD	● WICKER	WI
● CAMEO	CA	● EVERGREEN	EG	● NORWEGIAN WOOD	NW	● NX SAND STONE	SS	● 30 WHITE	WH
● NX CHAMPAGNE	CH	● FROST	FR	● PEBBLESTONE CLAY	PC	● SANDTONE	ST	● 80 WHITE	80
● CHARCOAL GREY	CG								

*Rustic Copper is a PREMIUM color. NOTE: Rustic Copper (M2) accessories, including miters and end caps, may display paint finish variations due to the metallic painting process, which may affect matching components.

Rainware Steel Colors:

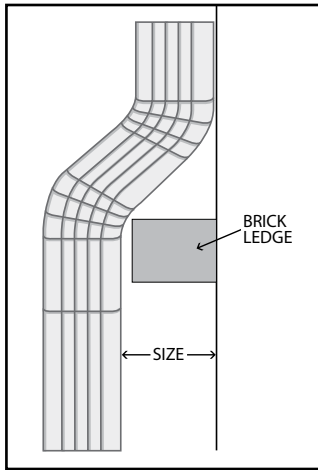
COLOR	CODE	COLOR	CODE	COLOR	CODE	COLOR	CODE	COLOR	CODE
BEAVER BROWN	BB	CLASSIC CREAM	CC	EVERGREEN	EG	PEBBLESTONE CLAY	PC	TAHOE BLUE	TA
BLACK	BK	COUNTRY BLUE	CU	HARBOR GREY	HG	PRIME	PR	VICTORIAN GREY	VG
BRONZE	BZ	DESERT SAND	DS	HARVEST BROWN	HV	REDWOOD	RW	WICKER	WI
CHARCOAL GREY	CG	EGGSHELL	ES	MUSKET BROWN	MB	ROYAL BROWN	RB	30 WHITE	WH



NORANDEX™ Offsets

BELOIT PLANT

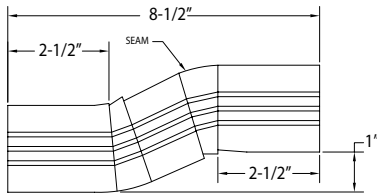
Offsets



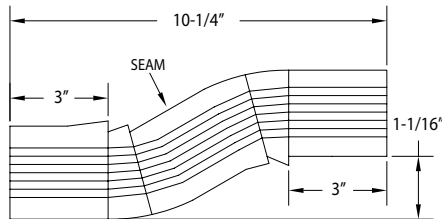
We have several varieties of offset downspout connections to transition gracefully over a brick ledge. You can eliminate the awkward look of a two-piece configuration with our choice of 1" to 6" away-from-the-wall options.

Part #	Description	Colors	Nom. Gauge/Thickness	Pieces/Box
ABO2A23A	Alum. Brickledge Offsets (2 pc.) 2 x 3 A's, 3 Crimps	(Listed Below)	0.019	18 sets
ABO2A23B	Alum. Brickledge Offsets (2 pc.) 2 x 3 B's, 3 Crimps	(Listed Below)	0.019	18 sets
ABO2A34A	Alum. Brickledge Offsets (2 pc.) 3 x 4 A's, 3 Crimps	*(Listed Below)	0.019	18 sets
ABO2A34B	Alum. Brickledge Offsets (2 pc.) 3 x 4 B's, 3 Crimps	*(Listed Below)	0.019	18 sets
ABO1123A	Aluminum 2 x 3 - 1" A's	(Listed Below)	0.019	24
ABO1123AM2	Aluminum 2 x 3 - 1" A's	M2 (Premium Color)	0.019	24
ABO1223A	Aluminum 2 x 3 - 2" A's	(Listed Below)	0.019	24
ABO1223AM2	Aluminum 2 x 3 - 2" A's	M2 (Premium Color)	0.019	24
ABO1323A	Aluminum 2 x 3 - 3" A's	(Listed Below)	0.019	24
ABO1323AM2	Aluminum 2 x 3 - 3" A's	M2 (Premium Color)	0.019	24
ABO1423A	Aluminum 2 x 3 - 4" A's	(Listed Below)	0.019	20
ABO1423AM2	Aluminum 2 x 3 - 4" A's	M2 (Premium Color)	0.019	20
ABO1523A	Aluminum 2 x 3 - 5" A's	(Listed Below)	0.019	20
ABO1623A	Aluminum 2 x 3 - 6" A's	(Listed Below)	0.019	20
ABO1134A	Aluminum 3 x 4 - 1" A's	(Listed Below)	0.019	24
ABO1134AM2	Aluminum 3 x 4 - 1" A's	M2 (Premium Color)	0.019	24
ABO1234A	Aluminum 3 x 4 - 2" A's	(Listed Below)	0.019	24
ABO1234AM2	Aluminum 3 x 4 - 2" A's	M2 (Premium Color)	0.019	24
ABO1334A	Aluminum 3 x 4 - 3" A's	(Listed Below)	0.019	24
ABO1334AM2	Aluminum 3 x 4 - 3" A's	M2 (Premium Color)	0.019	24
ABO1434A	Aluminum 3 x 4 - 4" A's	(Listed Below)	0.019	20
ABO1434AM2	Aluminum 3 x 4 - 4" A's	M2 (Premium Color)	0.019	20
ABO1534A	Aluminum 3 x 4 - 5" A's	(Listed Below)	0.019	20
ABO1634A	Aluminum 3 x 4 - 6" A's	(Listed Below)	0.019	20
ABO1634AM2	Aluminum 3 x 4 - 6" A's	M2 (Premium Color)	0.019	20
ABO1145A	Aluminum 4 x 5 - 1" A's	AL, AI, BK, BZ, CC, ES, FR, MB, RB, ST, SI, TB, WH, 80, WI	0.027	9
ABO1245A	Aluminum 4 x 5 - 2" A's	AL, AI, BK, BZ, CC, ES, FR, MB, RB, ST, SI, TB, WH, 80, WI	0.027	9
ABO1345A	Aluminum 4 x 5 - 3" A's	AL, AI, BK, BZ, CC, ES, FR, MB, RB, ST, SI, TB, WH, 80, WI	0.027	9
ABO1445A	Aluminum 4 x 5 - 4" A's	AL, AI, BK, BZ, CC, ES, FR, MB, RB, ST, SI, TB, WH, 80, WI	0.027	9
ABO1545A	Aluminum 4 x 5 - 5" A's	AL, AI, BK, BZ, CC, ES, FR, MB, RB, ST, SI, TB, WH, 80, WI	0.027	9
ABO1645A	Aluminum 4 x 5 - 6" A's	AL, AI, BK, BZ, CC, ES, FR, MB, RB, ST, SI, TB, WH, 80, WI	0.027	9

ABO1123A A-Offset



ABO1134A A-Offset



All "A" Offsets also available in "B" profiles.

*Note: ABO2A34A/B not available in SI.

Rainware & Accessories Aluminum Colors | ● = Color-Thru System™

COLOR	CODE	COLOR	CODE	COLOR	CODE	COLOR	CODE	COLOR	CODE
● NX ALMOND	AD	● CLASSIC CREAM	CC	● NX GRANITE	GG	PG METALLIC*	M3	● NX SIERRA CLAY	SI
● ALMOND	AL	● COPPER PENNY	CP	● HARBOR GREY	HG	● REDWOOD	RW	● NX SILVER/SILVER GREY	SG
● BEAVER BROWN	BB	● COUNTRY BLUE	CU	● JEFFERSON TAN	JT	● ROYAL BROWN	RB	● NX TAN	TN
● BLACK	BK	● DESERT SAND	DS	● NX LINEN	LN	● NX RUSSET	RT	● TERRA BRONZE	TB
● BRONZE	BZ	● NX DUNE	CD	● LINEN	LI	★RUSTIC COPPER	M2	● VICTORIAN GREY	VG
● BROOKSTONE	BS	● EGG SHELL*	ES	● MONTANA SUEDE	MS	● SAGE*	SA	● VILLAGE GREEN	VI
● BUCKSKIN	BU	● EVEREST	EV	● MUSKET BROWN	MB	● NX SAND	SD	● WICKER	WI
● CAMEO	CA	● EVERGREEN	EG	● NORWEGIAN WOOD	NW	● NX SAND STONE	SS	● 30 WHITE	WH
● NX CHAMPAGNE	CH	● FROST	FR	● PEBBLESTONE CLAY	PC	● SANDTONE	ST	● 80 WHITE	80
● CHARCOAL GREY	CG								

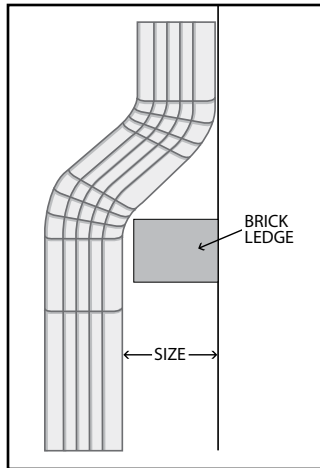
*Rustic Copper is a PREMIUM color. NOTE: Rustic Copper (M2) accessories, including miters and end caps, may display paint finish variations due to the metallic painting process, which may affect matching components.



NORANDEX™ Offsets & Conductor Heads

BELOIT PLANT

Offsets *cont.*



Part #	Description	Colors	Nom. Gauge/ Thickness	Pieces/ Box	Boxes/ Pallet
GBO1123A --	Galvanized 2 x 3 - 1" A's	(Steel Colors)	26 ga	24	32
GBO1223A --	Galvanized 2 x 3 - 2" A's	(Steel Colors)	26 ga	24	32
GBO1323A --	Galvanized 2 x 3 - 3" A's	(Steel Colors)	26 ga	24	32
GBO1423A --	Galvanized 2 x 3 - 4" A's	(Steel Colors)	26 ga	20	32
GBO1234A --	Galvanized 3 x 4 - 2" A's	(Steel Colors)	26 ga	24	32
GBO1334A --	Galvanized 3 x 4 - 3" A's	(Steel Colors)	26 ga	24	32
GBO1334APR	Galvanized 3 x 4 - 3" A's	Prime	26 ga	24	32
GBO1434A --	Galvanized 3 x 4 - 4" A's	(Steel Colors)	26 ga	20	32
GBO1434APR	Galvanized 3 x 4 - 4" A's	Prime	26 ga	20	32
LBO1123A	Galvalume 2 x 3 - 1" A's	Mill	26 ga	24	32
LBO1223A	Galvalume 2 x 3 - 2" A's	Mill	26 ga	24	32
LBO1323A	Galvalume 2 x 3 - 3" A's	Mill	26 ga	24	32
LBO1423A	Galvalume 2 x 3 - 4" A's	Mill	26 ga	24	32
LBO1623A	Galvalume 2 x 3 - 6" A's	Mill	26 ga	24	32
LBO1134A	Galvalume 3 x 4 - 1" A's	Mill	26 ga	24	32
LBO1234A	Galvalume 3 x 4 - 2" A's	Mill	26 ga	24	32
LBO1334A	Galvalume 3 x 4 - 3" A's	Mill	26 ga	24	32
LBO1434A	Galvalume 3 x 4 - 4" A's	Mill	26 ga	24	32
LBO1534A	Galvalume 3 x 4 - 5" A's	Mill	26 ga	24	32
LBO1634A	Galvalume 3 x 4 - 6" A's	Mill	26 ga	24	32
CBO1223A	Copper 2 x 3 - 2" A's	Copper	10 oz	Order by the pc.	
CBO1323A	Copper 2 x 3 - 3" A's	Copper	10 oz	Order by the pc.	
CBO1423A	Copper 2 x 3 - 4" A's	Copper	10 oz	Order by the pc.	
CBO1134A	Copper 3 x 4 - 1" A's	Copper	10 oz	Order by the pc.	
CBO1234A	Copper 3 x 4 - 2" A's	Copper	10 oz	Order by the pc.	
CBO1334A	Copper 3 x 4 - 3" A's	Copper	10 oz	Order by the pc.	
CBO1434A	Copper 3 x 4 - 4" A's	Copper	10 oz	Order by the pc.	
CBO1634A	Copper 3 x 4 - 6" A's	Copper	10 oz	Order by the pc.	

All "A" Offsets also available in "B" profiles.

Conductor Heads



Part #	Description	Colors	Pieces/ Box
ACH3 --	Aluminum 3" Conductor Head	RB, WH	Order by the pc.
ACH4 --	Aluminum 4" Conductor Head	RB, WH, 80	Order by the pc.
CCH3	Copper 3" Conductor Head	Copper	Order by the pc.

Rainware Aluminum Colors:

COLOR	CODE	COLOR	CODE	COLOR	CODE
ROYAL BROWN	RB	WHITE	WH	80 WHITE	80

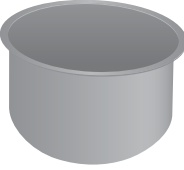
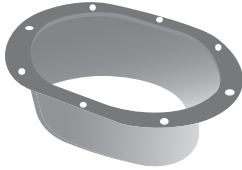
Rainware Steel Colors:

COLOR	CODE	COLOR	CODE	COLOR	CODE	COLOR	CODE	COLOR	CODE
BEAVER BROWN	BB	CLASSIC CREAM	CC	EVERGREEN	EG	PEBBLESTONE CLAY	PC	TAHOE BLUE	TA
BLACK	BK	COUNTRY BLUE	CU	HARBOR GREY	HG	PRIME	PR	VICTORIAN GREY	VG
BRONZE	BZ	DESERT SAND	DS	HARVEST BROWN	HV	REDWOOD	RW	WICKER	WI
CHARCOAL GREY	CG	EGGSHELL	ES	MUSKET BROWN	MB	ROYAL BROWN	RB	30 WHITE	WH




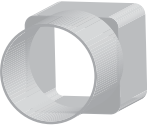
NORANDEX™ Downspout Accessories

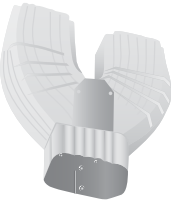
BELOIT PLANT

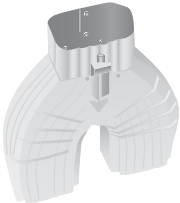
Outlets	Part #	Description	Colors	Nom. Gauge/ Thickness	Pieces/ Box
Round Outlet 	AORE23ML	Aluminum 2 x 3 Rectangle Outlet	*	0.019	30
	AORE34ML	Aluminum 3 x 4 Rectangle Outlet	*	0.019	50
	AEORE34ML	Aluminum 3 x 4 Econ. Rectangle Outlet	*	0.016	50
	AORE45ML	Aluminum 4 x 5 Rectangle Outlet	*	0.019	50
	AORO238ML	Aluminum 2-3/8" Round Outlet	*	0.019	250
	AORO234ML	Aluminum 2-3/4" Round Outlet	*	0.019	250
	AORO338ML	Aluminum 3-3/8" Round Outlet	*	0.019	100
	AOOV23ML	Aluminum 2 x 3 Oval Outlet	*	0.019	30
	AOOV34ML	Aluminum 3 x 4 Oval Outlet	*	0.019	50
	AOOVN34ML	Aluminum 3 x 4 Oval Narrow Flange Outlet	*	0.019	50
Oval Outlet 	GOOV3ML	Galvanized 3" Oval Drop Outlet	Mill	28 ga	50
	GOOV4ML	Galvanized 4" Oval Drop Outlet	Mill	28 ga	50
	CORE23	Copper 2 x 3 Rectangle Outlet	Copper	16 oz	Order by the pc.
	CORE34	Copper 3 x 4 Rectangle Outlet	Copper	16 oz	Order by the pc.

***NOTE:** Aluminum outlets made with mill or painted finish per manufacturer's discretion.

Wire Strainers	Part #	Description	Colors	Pieces/ Box
	GWS3	Galvanized 3" Wire Strainer	Mill	50
	GWS4	Galvanized 4" Wire Strainer	Mill	50

PVC Adapters	Part #	Description	Colors	Pieces/ Box
	APVC233WH	PVC 2 x 3 x 3 Flush Mount Adapter	WH	36
	APVC234WH	PVC 2 x 3 x 4 Flush Mount Adapter	WH	22
	APVC234BK	PVC 2 x 3 x 4 Flush Mount Adapter	BK	12
	APVC344WH	PVC 3 x 4 x 4 Flush Mount Adapter	WH	24
	APVC344BK	PVC 3 x 4 x 4 Flush Mount Adapter	BK	12

Y Adapters	Part #	Description	Colors	Nom. Gauge/ Thickness	Pieces/ Box
	AYA23 - -	Aluminum 2 x 3 Y Adapter	RB, WH	0.019	10
	AYA34 - -	Aluminum 3 x 4 Y Adapter	RB, WH	0.019	10

Y Diverters	Part #	Description	Colors	Nom. Gauge/ Thickness	Pieces/ Box
	AYD23 - -	Aluminum 2 x 3 Y Diverter	RB, WH	0.019	10
	AYD34 - -	Aluminum 3 x 4 Y Diverter	RB, WH	0.019	10


Rainware Aluminum Colors:


COLOR	CODE	COLOR	CODE	COLOR	CODE
BLACK	BK	ROYAL BROWN	RB	WHITE	WH




NORANDEX™ Downspout Accessories


BELOIT PLANT

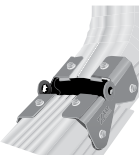
Funnels		Part #	Description	Colors	Nom. Gauge/ Thickness	Pieces/ Box
	AFN23 - -	Aluminum 2 x 3 Funnel	RB, WH	0.018	12	
	AFN34 - -	Aluminum 3 x 4 Funnel	RB, WH	0.018	12	

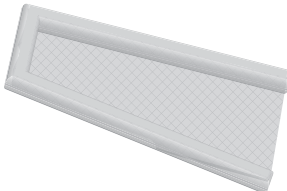
Downspout Bands		Part #	Description	Colors	Nom. Gauge/ Thickness	Pieces/ Box
	ADSPB34 - -	Alum. Universal 3 x 4 DS Band (Listed Below)	0.019	100		
	ADSPB34M2	Alum. Universal 3 x 4 DS Band M2 (Premium Color)	0.019	100		
	GDSPB23 - -	Galv. 2 x 3 Universal DS Band (Steel Colors)	28 ga	100		
	GDSPB34 - -	Galv. 3 x 4 Universal DS Band (Steel Colors)	28 ga	100		
	GDSPB34PR	Galv. 3 x 4 Universal DS Band	PR	28 ga	100	
	CDSPB34	Copper 3 x 4 DS Band	Copper	16 oz	Order by the pc.	

Downspout Clips		Part #	Description	Colors	Nom. Gauge/ Thickness	Pieces/ Box
	ADSCP23 - -	Aluminum 2 x 3 Clip	*(Listed Below)	0.032	100	
	ADSCP34 - -	Aluminum 3 x 4 Clip	(Listed Below)	0.032	50	
	ADSCP34M2	Aluminum 3 x 4 Clip	M2 (Premium Color)	0.032	50	
	CDSCP23	Copper 2 x 3 Clip	Copper	16 oz	Order by the pc.	

**Rustic Copper temporarily unavailable in 2 x 3 size DS clip.*

Downspout Cleats		Part #	Description	Colors	Nom. Gauge/ Thickness	Pieces/ Box
	APC1WH	Aluminum 2 x 3 Pipe Cleat	WH	0.019	100	

Downspout Hinges		Part #	Description	Colors	Pairs/ Bag	Bags/ Box	Pieces/ Box
	AZHHW	Aluminum 2 x 3 / 3 x 4 Zip Hinge	WH	12 pairs	20	240 pairs	
	GDHA23WH	Galvanized 2 x 3 A Hinge	WH			12	
	GDHA34WH	Galvanized 3 x 4 A Hinge	WH			12	
	GDHB23WH	Galvanized 2 x 3 B Hinge	WH			12	
	GDHB34WH	Galvanized 3 x 4 B Hinge	WH			12	

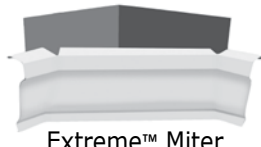
Splash Blocks		Part #	Description	Colors	Pieces/ Box
	SBGN	Splash Block - Green	GN	Order by the pc. 10 pcs./box	

Rainware & Accessories Aluminum Colors | ● = Color-Thru System™

COLOR	CODE	COLOR	CODE	COLOR	CODE	COLOR	CODE	COLOR	CODE
● NX ALMOND	AD	● CLASSIC CREAM	CC	● NX GRANITE	GG	PG METALLIC*	M3	● NX SIERRA CLAY	SI
● ALMOND	AL	● COPPER PENNY	CP	● HARBOR GREY	HG	● REDWOOD	RW	● NX SILVER/SILVER GREY	SG
● BEAVER BROWN	BB	● COUNTRY BLUE	CU	● JEFFERSON TAN	JT	● ROYAL BROWN	RB	● NX TAN	TN
● BLACK	BK	● DESERT SAND	DS	● NX LINEN	LN	● NX RUSSET	RT	● TERRA BRONZE	TB
● BRONZE	BZ	● NX DUNE	CD	● LINEN	LI	★RUSTIC COPPER	M2	● VICTORIAN GREY	VG
● BROOKSTONE	BS	EGG SHELL*	ES	● MONTANA SUEDE	MS	SAGE*	SA	● VILLAGE GREEN	VI
● BUCKSKIN	BU	EVEREST	EV	● MUSKET BROWN	MB	● NX SAND	SD	● WICKER	WI
● CAMEO	CA	● EVERGREEN	EG	● NORWEGIAN WOOD	NW	● NX SAND STONE	SS	● 30 WHITE	WH
● NX CHAMPAGNE	CH	FROST	FR	● PEBBLESTONE CLAY	PC	● SANDTONE	ST	● 80 WHITE	80
● CHARCOAL GREY	CG								

***Rustic Copper is a PREMIUM color. NOTE:** Rustic Copper (M2) accessories, including miters and end caps, may display paint finish variations due to the metallic painting process, which may affect matching components.

Extreme™ Miters



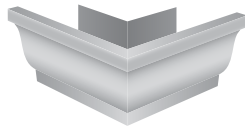
Extreme™ Miter

Part #	Description	Colors	Nom. Gauge/ Thickness	Pieces/ Box
AEM5 - -	Aluminum 5" Extreme™ Miter	RB, WH, 80	0.019	10
AEM6WH	Aluminum 6" Extreme™ Miter	WH	0.019	10

Box Miters



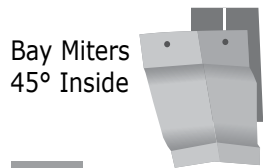
Box Miter Inside



Box Miter Outside

Part #	Description	Colors	Nom. Gauge/ Thickness	Pieces/ Box
ABM5I - -	Aluminum 5" Inside	(Listed Below)	0.019	20
ABM5IM2	Aluminum 5" Inside	M2 (Premium Color)	0.019	20
ABM5O - -	Aluminum 5" Outside	(Listed Below)	0.019	20
ABM5OM2	Aluminum 5" Outside	M2 (Premium Color)	0.019	20
ABM6I - -	Aluminum 6" Inside	(Listed Below)	0.019	20
ABM6IM2	Aluminum 6" Inside	M2 (Premium Color)	0.019	20
ABM6O - -	Aluminum 6" Outside	(Listed Below)	0.019	20
ABM6OM2	Aluminum 6" Outside	M2 (Premium Color)	0.019	20
GBM5I - -	Galvanized 5" Inside	(Steel Colors)	28 ga	20
GBM5IPR	Galvanized 5" Inside	Prime	28 ga	20
GBM5O - -	Galvanized 5" Outside	(Steel Colors)	28 ga	20
GBM5OPR	Galvanized 5" Outside	Prime	28 ga	20
GBM6I - -	Galvanized 6" Inside	RB, WH	28 ga	20
GBM6IPR	Galvanized 6" Inside	Prime	28 ga	20
GBM6O - -	Galvanized 6" Outside	RB, WH	28 ga	20
GBM6OPR	Galvanized 6" Outside	Prime	28 ga	20
LBM6I	Galvalume 6" Inside	Mill	26 ga	20
LBM6O	Galvalume 6" Outside	Mill	26 ga	20
CBM5I	Copper 5" Inside	Copper	16 oz	Order by the pc.
CBM5O	Copper 5" Outside	Copper	16 oz	Order by the pc.
CBM6I	Copper 6" Inside	Copper	16 oz	Order by the pc.
CBM6O	Copper 6" Outside	Copper	16 oz	Order by the pc.

Bay Miters



Bay Miters
45° Inside



Bay Miters
45° Outside

Part #	Description	Colors	Nom. Gauge/ Thickness	Pieces/ Box
ABY5I - -	Aluminum 5" Inside	(Listed Below)	0.019	20
ABY5IM2	Aluminum 5" Inside	M2 (Premium Color)	0.019	20
ABY5O - -	Aluminum 5" Outside	(Listed Below)	0.019	20
ABY5OM2	Aluminum 5" Outside	M2 (Premium Color)	0.019	20
ABY6I - -	Aluminum 6" Inside	(Listed Below)	0.019	20
ABY6IM2	Aluminum 6" Inside	M2 (Premium Color)	0.019	20
ABY6O - -	Aluminum 6" Outside	(Listed Below)	0.019	20
ABY6OM2	Aluminum 6" Outside	M2 (Premium Color)	0.019	20
ABY7I - -	Aluminum 7" Outside	BZ, CC, RB, ST, WH, 80	0.027	20
ABY7O - -	Aluminum 7" Outside	BZ, CC, RB, ST, WH, 80	0.027	20
LBY5I	Galvalume 5" Inside	Mill	26 ga	20
LBY5O	Galvalume 5" Outside	Mill	26 ga	20
LBY6I	Galvalume 6" Inside	Mill	26 ga	20
LBY6O	Galvalume 6" Outside	Mill	26 ga	20
CBY5I	Copper 5" Inside	Copper	16 oz	Order by the pc.
CBY5O	Copper 5" Outside	Copper	16 oz	Order by the pc.
CBY6I	Copper 6" Inside	Copper	16 oz	Order by the pc.
CBY6O	Copper 6" Outside	Copper	16 oz	Order by the pc.

Rainware & Accessories Aluminum Colors | ● = Color-Thru System™

COLOR	CODE	COLOR	CODE	COLOR	CODE	COLOR	CODE	COLOR	CODE
● NX ALMOND	AD	● CLASSIC CREAM	CC	● NX GRANITE	GG	PG METALLIC*	M3	● NX SIERRA CLAY	SI
● ALMOND	AL	● COPPER PENNY	CP	● HARBOR GREY	HG	● REDWOOD	RW	● NX SILVER/SILVER GREY	SG
● BEAVER BROWN	BB	● COUNTRY BLUE	CU	● JEFFERSON TAN	JT	● ROYAL BROWN	RB	● NX TAN	TN
● BLACK	BK	● DESERT SAND	DS	● NX LINEN	LN	● NX RUSSET	RT	● TERRA BRONZE	TB
● BRONZE	BZ	● NX DUNE	CD	● LINEN	LI	★ RUSTIC COPPER	M2	● VICTORIAN GREY	VG
● BROOKSTONE	BS	● EGG SHELL*	ES	● MONTANA SUEDE	MS	● SAGE*	SA	● VILLAGE GREEN	VI
● BUCKSKIN	BU	● EVEREST	EV	● MUSKET BROWN	MB	● NX SAND	SD	● WICKER	WI
● CAMEO	CA	● EVERGREEN	EG	● NORWEGIAN WOOD	NW	● NX SAND STONE	SS	● 30 WHITE	WH
● NX CHAMPAGNE	CH	● FROST	FR	● PEBBLESTONE CLAY	PC	● SANDTONE	ST	● 80 WHITE	80
● CHARCOAL GREY	CG								

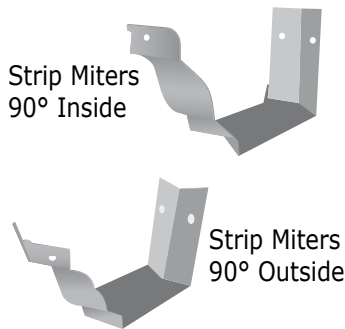
*Rustic Copper is a PREMIUM color. NOTE: Rustic Copper (M2) accessories, including miters and end caps, may display paint finish variations due to the metallic painting process, which may affect matching components.



NORANDEX™ Strip Miters & Joints

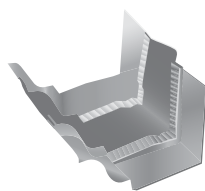
BELOIT PLANT

Strip Miters

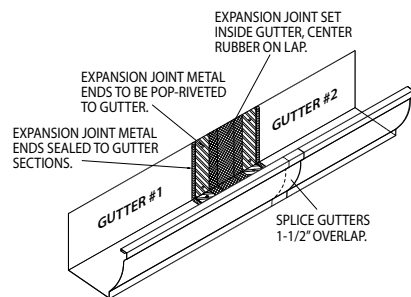


Part #	Description	Colors	Nom. Gauge/ Thickness	Pieces/ Box
ASM5I - -	Aluminum 5" Inside	(Listed Below)	0.027	20
ASM5IM2	Aluminum 5" Inside	M2 (Premium Color)	0.027	20
ASM5O - -	Aluminum 5" Outside	(Listed Below)	0.027	20
ASM5OM2	Aluminum 5" Outside	M2 (Premium Color)	0.027	20
ASM6I - -	Aluminum 6" Inside	(Listed Below)	0.027	20
ASM6IM2	Aluminum 6" Inside	M2 (Premium Color)	0.027	20
ASM6O - -	Aluminum 6" Outside	(Listed Below)	0.027	20
ASM6OM2	Aluminum 6" Outside	M2 (Premium Color)	0.027	20
ASM7I - -	Aluminum 7" Inside	BZ, CC, RB, ST, WH, 80	0.027	20
ASM7O - -	Aluminum 7" Outside	BZ, CC, RB, ST, WH, 80	0.027	20
LSM5I	Galvalume 5" Inside	Mill	26 ga	20
LSM5O	Galvalume 5" Outside	Mill	26 ga	20
LSM6I	Galvalume 6" Inside	Mill	26 ga	20
LSM6O	Galvalume 6" Outside	Mill	26 ga	20
CSM5I	Copper 5" Inside	Copper	16 oz	Order by the pc.
CSM5O	Copper 5" Outside	Copper	16 oz	Order by the pc.
CSM6I	Copper 6" Inside	Copper	16 oz	Order by the pc.
CSM6O	Copper 6" Outside	Copper	16 oz	Order by the pc.

Expansion Joints



Part #	Description	Colors	Nom. Gauge/ Thickness	Pieces/ Box
AEJ5ML	Aluminum 5" Expansion Joint	Mill	0.030	12
AEJ6ML	Aluminum 6" Expansion Joint	Mill	0.030	12

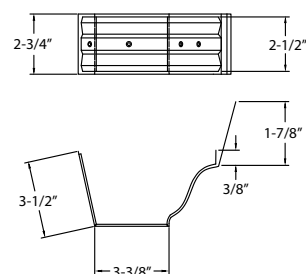


A 50' section of gutter can potentially expand almost 2/3 of an inch from winter to summer moving the fasteners back and forth until the gutter falls down. Expansion joints are a preventive measure for excessive movement in the gutter, and should be mounted in place every 50' of exceptionally long gutter runs.

Slip Joints



Part #	Description	Colors	Nom. Gauge/ Thickness	Pieces/ Box
ASJC5 - -	Aluminum 5" Slip Joint	RB, WH	0.019	Order by the pc.



Rainware & Accessories Aluminum Colors | ● = Color-Thru System™

COLOR	CODE	COLOR	CODE	COLOR	CODE	COLOR	CODE	COLOR	CODE
● NX ALMOND	AD	● CLASSIC CREAM	CC	● NX GRANITE	GG	PG METALLIC*	M3	● NX SIERRA CLAY	SI
● ALMOND	AL	● COPPER PENNY	CP	● HARBOR GREY	HG	● REDWOOD	RW	● NX SILVER/SILVER GREY	SG
● BEAVER BROWN	BB	● COUNTRY BLUE	CU	● JEFFERSON TAN	JT	● ROYAL BROWN	RB	● NX TAN	TN
● BLACK	BK	● DESERT SAND	DS	● NX LINEN	LN	● NX RUSSET	RT	● TERRA BRONZE	TB
● BRONZE	BZ	● NX DUNE	CD	● LINEN	LI	★ RUSTIC COPPER	M2	● VICTORIAN GREY	VG
● BROOKSTONE	BS	EGG SHELL*	ES	● MONTANA SUEDE	MS	SAGE*	SA	● VILLAGE GREEN	VI
● BUCKSKIN	BU	EVEREST	EV	● MUSKET BROWN	MB	● NX SAND	SD	● WICKER	WI
● CAMEO	CA	● EVERGREEN	EG	● NORWEGIAN WOOD	NW	● NX SAND STONE	SS	● 30 WHITE	WH
● NX CHAMPAGNE	CH	FROST	FR	● PEBBLESTONE CLAY	PC	● SANDTONE	ST	● 80 WHITE	80
● CHARCOAL GREY	CG								

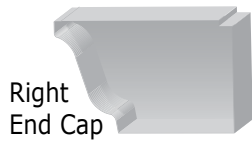
★Rustic Copper is a PREMIUM color. NOTE: Rustic Copper (M2) accessories, including miters and end caps, may display paint finish variations due to the metallic painting process, which may affect matching components.



NORANDEX™ End Caps

BELOIT PLANT

End Caps



Part #	Description	Colors	Nom. Gauge/ Thickness	Piece Length	Pieces/ Box
AEC5L - -	Aluminum 5" Left End Cap	(Listed Below)	0.019	5"	50
AEC5LM2	Aluminum 5" Left End Cap	M2 (Premium Color)	0.019	5"	50
AEC5R - -	Aluminum 5" Right End Cap	(Listed Below)	0.019	5"	50
AEC5RM2	Aluminum 5" Right End Cap	M2 (Premium Color)	0.019	5"	50
AEC6L - -	Aluminum 6" Left End Cap	(Listed Below)	0.019	6"	50
AEC6LM2	Aluminum 6" Left End Cap	M2 (Premium Color)	0.019	6"	50
AEC6R - -	Aluminum 6" Right End Cap	(Listed Below)	0.019	6"	50
AEC6RM2	Aluminum 6" Right End Cap	M2 (Premium Color)	0.019	6"	50
AEC7L - -	Aluminum 7" Left End Cap	BZ, CC, RB, ST, WH, 80	0.027	7"	50
AEC7R - -	Aluminum 7" Right End Cap	BZ, CC, RB, ST, WH, 80	0.027	7"	50
<hr/>					
GEC5L - -	Galv. 5" Left End Cap K	BB, BK, BZ, CC, CG, CU, DS, EG, HG, MB, PC, PR, RW, RB, TA, VG, WI, WH	28 ga	5"	50
GEC5LPR	Galv. 5" Left End Cap K	Prime	28 ga	5"	50
GEC5R - -	Galv. 5" Right End Cap K	BB, BK, BZ, CC, CG, CU, DS, EG, HG, MB, PC, PR, RW, RB, TA, VG, WI, WH	28 ga	5"	50
GEC5RPR	Galv. 5" Right End Cap K	Prime	28 ga	5"	50
GEC5LML	Galvanized 5" Left End Cap K	Mill	28 ga	5"	50
GEC5RML	Galvanized 5" Left End Cap K	Mill	28 ga	5"	50
GEC6L - -	Galvanized 6" Left End Cap K	(Steel Colors)	28 ga	6"	50
GEC6LPR	Galvanized 6" Left End Cap K	Prime	28 ga	6"	50
GEC6R - -	Galvanized 6" Right End Cap K	(Steel Colors)	28 ga	6"	50
GEC6RPR	Galvanized 6" Right End Cap K	Prime	28 ga	6"	50
<hr/>					
LEC5L	Galvalume 5" Left End Cap	Mill	26 ga	5"	50
LEC5R	Galvalume 5" Right End Cap	Mill	26 ga	5"	50
LEC6L	Galvalume 6" Left End Cap	Mill	26 ga	6"	50
LEC6R	Galvalume 6" Right End Cap	Mill	26 ga	6"	50
<hr/>					
CEC5L	Copper 5" Left End Cap	Copper	10 oz	5"	Order by the pc.
CEC5R	Copper 5" Right End Cap	Copper	10 oz	5"	Order by the pc.
CEC6L	Copper 6" Left End Cap	Copper	10 oz	6"	Order by the pc.
CEC6R	Copper 6" Right End Cap	Copper	10 oz	6"	Order by the pc.

Rainware & Accessories Aluminum Colors | ●=Color-Thru System™

COLOR	CODE	COLOR	CODE	COLOR	CODE	COLOR	CODE	COLOR	CODE
● NX ALMOND	AD	● CLASSIC CREAM	CC	● NX GRANITE	GG	PG METALLIC*	M3	● NX SIERRA CLAY	SI
● ALMOND	AL	● COPPER PENNY	CP	● HARBOR GREY	HG	● REDWOOD	RW	● NX SILVER/SILVER GREY	SG
● BEAVER BROWN	BB	● COUNTRY BLUE	CU	● JEFFERSON TAN	JT	● ROYAL BROWN	RB	● NX TAN	TN
● BLACK	BK	● DESERT SAND	DS	● NX LINEN	LN	● NX RUSSET	RT	● TERRA BRONZE	TB
● BRONZE	BZ	● NX DUNE	CD	● LINEN	LI	★RUSTIC COPPER	M2	● VICTORIAN GREY	VG
● BROOKSTONE	BS	● EGG SHELL*	ES	● MONTANA SUEDE	MS	● SAGE*	SA	● VILLAGE GREEN	VI
● BUCKSKIN	BU	● EVEREST	EV	● MUSKET BROWN	MB	● NX SAND	SD	● WICKER	WI
● CAMEO	CA	● EVERGREEN	EG	● NORWEGIAN WOOD	NW	● NX SAND STONE	SS	● 30 WHITE	WH
● NX CHAMPAGNE	CH	● FROST	FR	● PEBBLESTONE CLAY	PC	● SANDTONE	ST	● 80 WHITE	80
● CHARCOAL GREY	CG								

*Rustic Copper is a PREMIUM color. NOTE: Rustic Copper (M2) accessories, including miters and end caps, may display paint finish variations due to the metallic painting process, which may affect matching components.

Rainware Steel Colors:

COLOR	CODE	COLOR	CODE	COLOR	CODE	COLOR	CODE	COLOR	CODE
BEAVER BROWN	BB	CLASSIC CREAM	CC	HARBOR GREY	HG	REDWOOD	RW	WICKER	WI
BLACK	BK	COUNTRY BLUE	CU	MUSKET BROWN	MB	ROYAL BROWN	RB	30 WHITE	WH
BRONZE	BZ	DESERT SAND	DS	PEBBLESTONE CLAY	PC	TAHOE BLUE	TA	80 WHITE	80
CHARCOAL GREY	CG	EVERGREEN	EG	PRIME	PR	VICTORIAN GREY	VG		



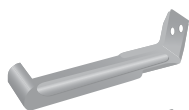
NORANDEX™ Hangers

BELOIT PLANT

Hidden Hangers

Part #	Description	Colors	Nom. Gauge/ Thickness	Piece Length	Pieces/ Box or Bag
ABH5ML	Aluminum 5" Backless Std. Bar Hanger	Mill	0.060	5-1/16"	400
AHH5ML	Aluminum 5" Hook Hanger with Clip	Mill	0.060	4-7/8"	500
AHH51ML	Aluminum 5" Hook Hanger with Clip	Mill	0.060	4-7/8"	100
AHT5ML	Aluminum 5" Hangtite Hanger without Clip	Mill	0.060	5"	1000
AHT51ML	Aluminum 5" Hangtite Hanger without Clip	Mill	0.060	5"	100
AHT5CML	Aluminum 5" Hangtite Hanger with Clip	Mill	0.060	5"	1000
AHU51ML	Aluminum 5" Ultra Hanger without Clip	Mill	0.048	5"	100
AHU5ML	Aluminum 5" Ultra Hanger without Clip	Mill	0.048	5"	1000
AHU51CML	Aluminum 5" Ultra Hanger with Clip	Mill	0.048	5"	100
AHU5CML	Aluminum 5" Ultra Hanger with Clip	Mill	0.048	5"	1000
ABH6ML	Aluminum 6" Backless Std. Bar Hanger	Mill	0.060	6-1/8"	750
AHH6ML	Aluminum 6" Hook Hanger with Clip	Mill	0.060	6"	250
AHHK6ML	Aluminum 6" Keg Hanger with Clip	Mill	0.060	6"	2500
AHT6ML	Aluminum 6" Hangtite Hanger without Clip	Mill	0.060	6"	1000
AHT6CML	Aluminum 6" Hangtite Hanger with Clip	Mill	0.060	6"	1000
AHU61ML	Aluminum 6" Ultra Hanger without Clip	Mill	0.048	6"	100
AHU6ML	Aluminum 6" Ultra Hanger without Clip	Mill	0.048	6"	1000
AHU61CML	Aluminum 6" Ultra Hanger with Clip	Mill	0.048	6"	100
AHU6CML	Aluminum 6" Ultra Hanger with Clip	Mill	0.048	6"	800
BH5	Brass 5" Hanger with Clip	Brass	0.115	5-1/8"	250
BH6	Brass 6" Hanger with Clip	Brass	0.115	6-3/16"	150
CH5	Copper 5" Hook Hanger	Copper	16 oz	5"	Order by the pc.
CH6	Copper 6" Hook Hanger	Copper	16 oz	6"	Order by the pc.

ABH5ML



AHH5ML



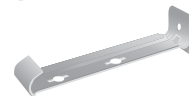
AHT5CML



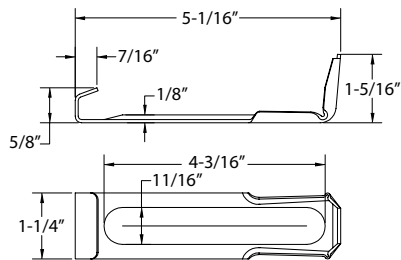
BH5



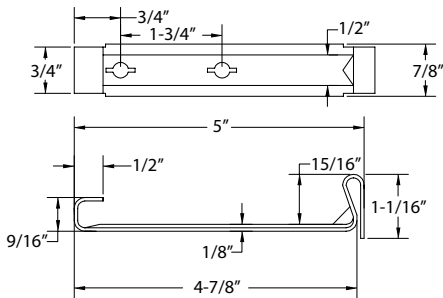
CH5



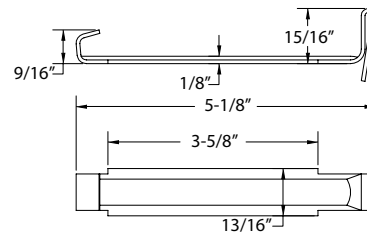
ABH5ML



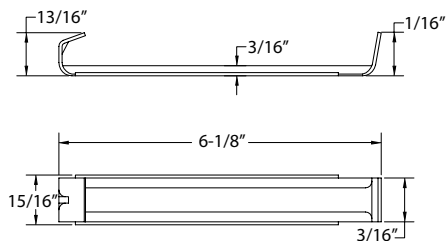
AHH5, AHH51



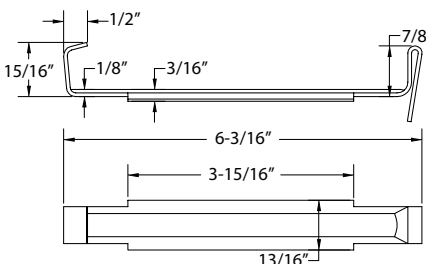
BH5



ABH6ML



BH6

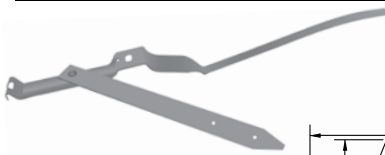




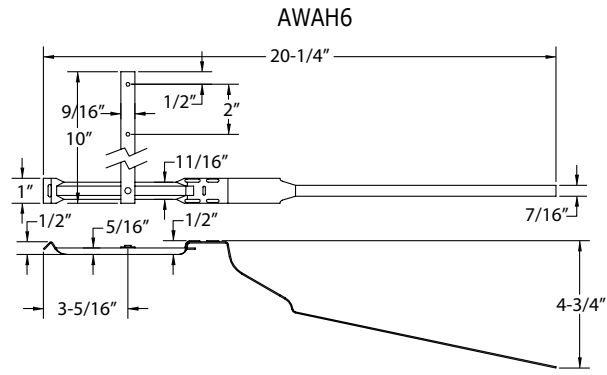
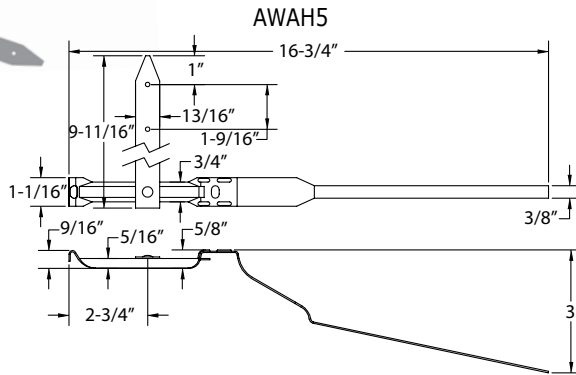
NORANDEX™ Hangers

BELOIT PLANT

Wrap Around Hangers



Part #	Description	Colors	Nom. Gauge/ Thickness	Piece Length	Pieces/ Box
AWAH5 - -	Aluminum 5" Wrap Around Hanger	RB, WH, 80	0.060	16-3/4"	100
AWAH6 - -	Aluminum 6" Wrap Around Hanger	RB, WH, 80	0.060	20-1/4"	50

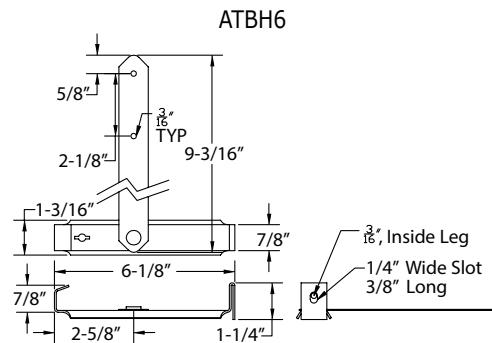
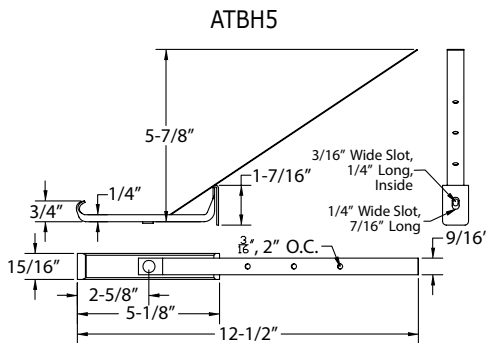


T-Bar Hangers



Part #	Description	Colors	Nom. Gauge/ Thickness	Piece Length	Pieces/ Bag	Pieces/ Box
ATBH5 - -	Alum. 5" Painted T-Bar Strap Hanger	RB, WH	0.060	12-1/2"		100
ATBH5ML	Alum. 5" Painted T-Bar Strap Hanger	Mill	0.060	12-1/2"		100
ATBH6 - -	Alum. 6" Painted T-Bar Strap Hanger	WH	0.060	6-1/8"		100
ATBH6ML	Alum. 6" Painted T-Bar Strap Hanger	Mill	0.060	6-1/8"		100
ATS5ML	Alum. 5/8" T-Bar Strap only	Mill	0.032	9-7/8"	100	2000
★ ABHSST6ML	Alum./SS 6" T-Bar Hanger w/Clip	Mill	0.060	6-1/8"		100

★ "U" Status: Use up until gone.

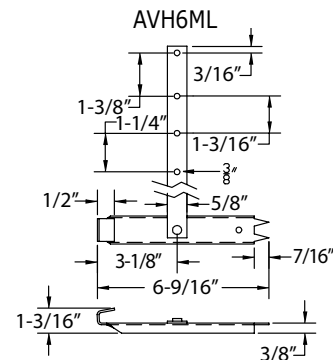
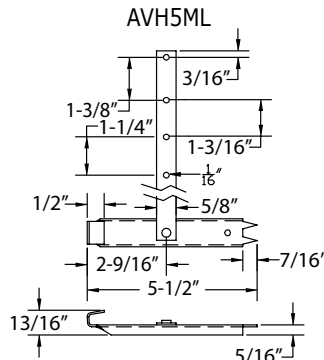


Vampire Hangers



Part #	Description	Colors	Nom. Gauge/ Thickness	Piece Length	Pieces/ Box
AVH5ML	Aluminum 5" Vampire Hanger	Mill	0.060	5-1/2"	100
AVH6ML	Aluminum 6" Vampire Hanger	Mill	0.060	6-9/16"	100

Note: Proper installation requires the use of a Vampire Hanger tool manufactured by "Malco".

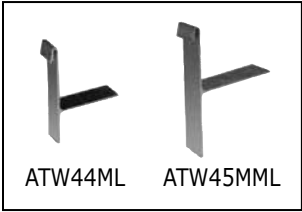


Rainware Aluminum Colors:


COLOR	CODE	COLOR	CODE	COLOR	CODE
ROYAL BROWN	RB	WHITE	WH	80 WHITE	80



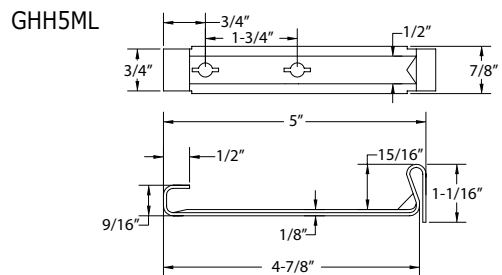
NORANDEX™ Hangers & Rainware Accessories BELOIT PLANT


T-Wedge		Part #	Description	Colors	Nom. Gauge/ Thickness	Pieces/ Bag
		ATW44ML	Aluminum 5" T-Wedge 4400	Mill	0.070	50
		ATW45MML	Aluminum 5"-6" T-Wedge 4500	Mill	0.070	50

A T-Wedge can be adjusted to keep the gutter level at various fascia board angles.

Gutter Wedges		Part #	Description	Colors	Nom. Gauge/ Thickness	Pieces/ Box
		GW5 - -	Aluminum 5" Wedge	RB, WH	0.027	100
		GW6 - -	Aluminum 6" Wedge	RB, WH	0.027	50
		CW5	Copper 5" Wedge	Copper	16 oz	Order by the pc.
		CW6	Copper 6" Wedge	Copper	16 oz	Order by the pc.

Hangers with Screws		Part #	Description	Colors	Nom. Gauge/ Thickness	Piece Length	Pieces/ Box	Pieces/ Pallet
		AHFHS5ML	Alum. 5" Quick Screw Hidden Hanger w/Screw	Mill	0.060	5"	500	
		AHFHS6ML	Alum. 6" Quick Screw Hidden Hanger w/Screw	Mill	0.060	6"	300	
		AHFSS5ML	Alum. 5" Supreme Hanger w/Screw	Mill	0.060	5"	400	
		AHFSS6ML	Alum. 6" Supreme Hanger w/Screw	Mill	0.060	6"	300	
		AHUTS5CML	Alum. 5" Ultimate Hidden Hanger w/Screw & Clip	Mill	0.061	5"	400	
		AHUTS6CML	Alum. 6" Ultimate Hidden Hanger w/Screw & Clip	Mill	0.061	6"	300	
		AHFHS7ML	Alum. 7" Quick Screw Hidden Hanger w/Screw	Mill	0.060	7"	100	
		GHFHS5ML	Galv. 5" Hang Fast w/Screw	Mill	18 ga	5"	300	
		GHH5ML	Galv. 5" Hook Hanger w/Hole	Mill	18 ga	5"	250	26,250
		GHH6ML	Galv. 6" Hook Hanger w/Hole	Mill	18 ga	6"	150	
	BHFHS5	Brass 5" Hang Fast Hanger w/Screw	Brass	0.115	5"	Order by the pc.		
	BHFHS6	Brass 6" Hang Fast Hanger w/Screw	Brass	0.115	6"	Order by the pc.		



Spikes		Part #	Description	Colors	Piece Length	Pieces/ Box
		AS7WH	Aluminum 7" Painted Spike	WH	7"	500
		AS7ML	Aluminum 7" Painted Spike	Mill	7"	500
		AS8WH	Aluminum 8" Painted Spike	WH	8"	500
		AS8ML	Aluminum 8" Painted Spike	Mill	8"	500
		GS7ML	Galvanized 7" Ring Shank	Mill	7"	Approx 800 ct./50 lbs.

Rainware Aluminum Colors:

COLOR	CODE	COLOR	CODE
ROYAL BROWN	RB	WHITE	WH



NORANDEX™ Rainware Accessories

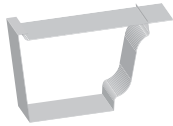
BELOIT PLANT

Ferrules



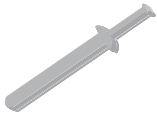
Part #	Description	Colors	Piece Length	Pieces/Box
AF5ML	Aluminum 5" Ferrule	Mill	5"	500
AF6ML	Aluminum 6" Ferrule	Mill	6"	500

Fascia Brackets



Part #	Description	Colors	Nom. Gauge/Thickness	Pieces/Box
AFBH5WH	Aluminum 5" Fascia Bracket	WH	0.060	100

Drive Pins



Part #	Description	Colors	Piece Length	Pieces/Box
GDP34	Galvanized 3/4" Masonry Fastener	Mill	3/4"	100
GDP10	Galvanized 1" Masonry Fastener	Mill	1"	100
GDP125	Galvanized 1-1/4" Masonry Fastener	Mill	1-1/4"	100
GDP150	Galvanized 1-1/2" Masonry Fastener	Mill	1-1/2"	100

Rainware Aluminum Colors:

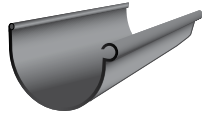
COLOR	CODE	COLOR	CODE
WHITE	WH	80 WHITE	80



NORANDEX™ Round & Half Round Products

BELOIT PLANT

Half Round Gutters



Part #	Description	Colors	Nom. Gauge/ Thickness	Piece Length	Pieces/ Box	Boxes/ Pallet
AGUH610 - -	Alum. 6" Reverse Bead 10' Sections	(Listed Below)	0.027	10'	5	16
AGUH610M2	Alum. 6" Reverse Bead 10' Sections	M2 (Premium Color)	0.027	10'	5	16
AGUH620 - -	Alum. 6" Reverse Bead 20' Sections	(Listed Below)	0.027	20'	5	16
AGUH620M2	Alum. 6" Reverse Bead 20' Sections	M2 (Premium Color)	0.027	20'	5	16
LGUH610	Glum. 6" Reverse Bead 10' Sections	Mill	26 ga	10'	5	16
LGUH620	Glum. 6" Reverse Bead 20' Sections	Mill	26 ga	20'	5	16
CGUH610	Copper 6" Reverse Bead 10' Sections	Copper	10 oz	10'	5	
CGUH620	Copper 6" Reverse Bead 20' Sections	Copper	10 oz	20'	5	

Sold in 5-count cartons only.

Round Downspouts



Part #	Description	Colors	Nom. Gauge/ Thickness	Piece Length	Pieces/ Box	Boxes/ Pallet
ADSR310 - -	Alum. 3" Round x 10', Smooth	(Listed Below)	0.019	10'	5	30
ADSR310M2	Alum. 3" Round x 10', Smooth	M2 (Premium Color)	0.019	10'	5	30
ADSR410 - -	Alum. 4" Round x 10', Smooth	(Listed Below)	0.019	10'	5	20
ADSR410M2	Alum. 4" Round x 10', Smooth	M2 (Premium Color)	0.019	10'	5	20
GDSR410 - -	Galv. 4" Round x 10'	(Listed Below)	26 ga	10'	5	30
GDSR410ML	Galv. 4" Round x 10'	Mill	26 ga	10'	5	30
LDSR310	Glum. 3" Round x 10', Plain	Mill	26 ga	10'	5	28
LDSR410	Glum. 4" Round x 10', Plain	Mill	26 ga	10'	5	28
CDSR310	Copper 3" Round x 10', Smooth	Copper	10 oz	10'	Order by the pc.	
CDSR410	Copper 4" Round x 10', Smooth	Copper	10 oz	10'	Order by the pc.	

Rainware & Accessories Aluminum Colors

COLOR	CODE	COLOR	CODE	COLOR	CODE	COLOR	CODE	COLOR	CODE
ALMOND	AL	CAMEO	CA	■ MUSKET BROWN	MB	★ ■ RUSTIC COPPER	M2	VICTORIAN GREY	VG
BEAVER BROWN	BB	CHARCOAL GREY	CG	PEBBLESTONE CLAY	PC	SANDTONE	ST	WICKER	WI
BLACK	BK	CLASSIC CREAM	CC	PG METALLIC	M3	NX SIERRA CLAY	SI	■ 30 WHITE	WH
■ BRONZE	BZ	■ COPPER PENNY	CP	ROYAL BROWN	RB	TERRA BRONZE	TB	80 WHITE	80
BUCKSKIN	BU	HARBOR GREY	HG						

■ Stocked half-round colors. Balance of colors available with extended lead-time.

★ Rustic Copper is a PREMIUM color. NOTE: Rustic Copper (M2) accessories, including miters and end caps, may display paint finish variations due to the metallic painting process, which may affect matching components.

Rainware Steel Colors:

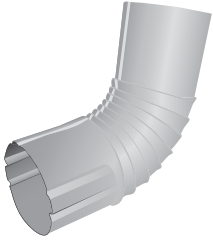
COLOR	CODE	COLOR	CODE	COLOR	CODE	COLOR	CODE	COLOR	CODE
BEAVER BROWN	BB	CLASSIC CREAM	CC	EVERGREEN	EG	PEBBLESTONE CLAY	PC	TAHOE BLUE	TA
BLACK	BK	COUNTRY BLUE	CU	HARBOR GREY	HG	PRIME	PR	VICTORIAN GREY	VG
BRONZE	BZ	DESERT SAND	DS	HARVEST BROWN	HV	REDWOOD	RW	WICKER	WI
CHARCOAL GREY	CG	EGGSHELL	ES	MUSKET BROWN	MB	ROYAL BROWN	RB	30 WHITE	WH



NORANDEX™ Round Products

BELOIT PLANT

Round Elbows



Part #	Description	Colors	Nom. Gauge/ Thickness	Pieces/ Box	Boxes/ Pallet
AER3 - -	Aluminum 3" Round 75°	(Listed Below)	0.019	30	16
AER3M2	Aluminum 3" Round 75°	M2 (Premium Color)	0.019	30	16
AER390 - -	Aluminum 3" Round 90°	(Listed Below)	0.019	30	16
AER390M2	Aluminum 3" Round 90°	M2 (Premium Color)	0.019	30	16
AER4 - -	Aluminum 4" Round 75°	(Listed Below)	0.019	30	16
AER4M2	Aluminum 4" Round 75°	M2 (Premium Color)	0.019	30	16
GER430ML	Galvanized 4" Round 30°	Mill	26 ga	20	24
GER445 - -	Galvanized 4" Round 45°	(Listed Below)	26 ga	20	24
GER445ML	Galvanized 4" Round 45°	Mill	26 ga	20	24
GER475 - -	Galvanized 4" Round 75°	(Listed Below)	26 ga	20	24
GER475ML	Galvanized 4" Round 75°	Mill	26 ga	20	24
LER3	Galvalume 3" Round 75°	Mill	26 ga	10	32
LER445	Galvalume 4" Round 45°	Mill	26 ga	10	32
LER4	Galvalume 4" Round 75°	Mill	26 ga	10	32
CER330	Copper 3" Round 30°	Copper	10 oz	Order by the pc.	
CER3	Copper 3" Round 75°	Copper	10 oz	Order by the pc.	
CER430	Copper 4" Round 30°	Copper	10 oz	Order by the pc.	
CER4	Copper 4" Round 75°	Copper	10 oz	Order by the pc.	

Round Offsets



Part #	Description	Colors	Nom. Gauge/ Thickness	Pieces/ Box
ABO12R3 - -	Aluminum 2" Offset 3" Round	(Listed Below)	0.019	20
ABO12R3M2	Aluminum 2" Offset 3" Round	M2 (Premium Color)	0.019	20
ABO14R3 - -	Aluminum 4" Offset 3" Round	(Listed Below)	0.019	20
ABO14R3M2	Aluminum 4" Offset 3" Round	M2 (Premium Color)	0.019	20
ABO12R4 - -	Aluminum 2" Offset 4" Round	(Listed Below)	0.019	20
ABO12R4M2	Aluminum 2" Offset 4" Round	M2 (Premium Color)	0.019	20
ABO14R4 - -	Aluminum 4" Offset 4" Round	(Listed Below)	0.019	20
ABO14R4M2	Aluminum 4" Offset 4" Round	M2 (Premium Color)	0.019	20
ABO16R4	Aluminum 6" Offset 4" Round	(Listed Below)	0.019	20
CBO12R3	Copper 2" Offset 3" Round	Copper	10 oz	Order by the pc.
CBO14R3	Copper 4" Offset 3" Round	Copper	10 oz	Order by the pc.
CBO12R4	Copper 2" Offset 4" Round	Copper	10 oz	Order by the pc.
CBO14R4	Copper 4" Offset 4" Round	Copper	10 oz	Order by the pc.
CBO16R4	Copper 6" Offset 4" Round	Copper	10 oz	Order by the pc.

Rainware & Accessories Aluminum Colors

COLOR	CODE	COLOR	CODE	COLOR	CODE	COLOR	CODE	COLOR	CODE
ALMOND	AL	CAMEO	CA	■ MUSKET BROWN	MB	★ ■ RUSTIC COPPER	M2	VICTORIAN GREY	VG
BEAVER BROWN	BB	CHARCOAL GREY	CG	PEBBLESTONE CLAY	PC	SANDTONE	ST	WICKER	WI
BLACK	BK	CLASSIC CREAM	CC	PG METALLIC	M3	NX SIERRA CLAY	SI	■ 30 WHITE	WH
■ BRONZE	BZ	■ COPPER PENNY	CP	ROYAL BROWN	RB	TERRA BRONZE	TB	80 WHITE	80
BUCKSKIN	BU	HARBOR GREY	HG						

■ Stocked half-round colors. Balance of colors available with extended lead-time.
 ★ Rustic Copper is a PREMIUM color. NOTE: Rustic Copper (M2) accessories, including miters and end caps, may display paint finish variations due to the metallic painting process, which may affect matching components.

Rainware Steel Colors:

COLOR	CODE	COLOR	CODE	COLOR	CODE	COLOR	CODE	COLOR	CODE
BEAVER BROWN	BB	CLASSIC CREAM	CC	EVERGREEN	EG	PEBBLESTONE CLAY	PC	TAHOE BLUE	TA
BLACK	BK	COUNTRY BLUE	CU	HARBOR GREY	HG	PRIME	PR	VICTORIAN GREY	VG
BRONZE	BZ	DESERT SAND	DS	HARVEST BROWN	HV	REDWOOD	RW	WICKER	WI
CHARCOAL GREY	CG	EGGSHELL	ES	MUSKET BROWN	MB	ROYAL BROWN	RB	30 WHITE	WH



NORANDEX™ Half Round Products

BELOIT PLANT

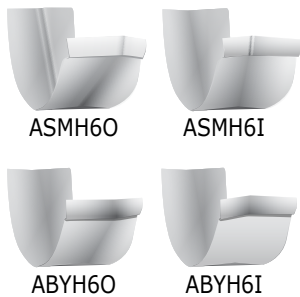
Half Round Outlets



Part #	Description	Colors	Nom. Gauge/ Thickness	Pieces/ Box
AOROH63ML	Aluminum 3" Round x 6" HR Outlet	*	0.019	50
AOROH64ML	Aluminum 4" Round x 6" HR Outlet	*	0.019	50
GOROH63	Galvanized 3" Round x 6" HR Outlet	*	26 ga	Order by the pc.
GOROH64	Galvanized 4" Round x 6" HR Outlet	*	26 ga	Order by the pc.
COROH63	Copper 3" Round x 6" HR Outlet	Copper	10 oz	Order by the pc.
COROH64	Copper 4" Round x 6" HR Outlet	Copper	10 oz	Order by the pc.

*NOTE: Aluminum outlets made with mill or painted finish per manufacturer's discretion.

Half Round Miters



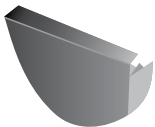
Part #	Description	Colors	Nom. Gauge/ Thickness	Pieces/ Box
ASMH6I - -	Aluminum 6" 90°, Strip, Inside	(Listed Below)	0.027	20
ASMH6IM2	Aluminum 6" 90°, Strip, Inside	M2 (Premium Color)	0.027	20
ASMH6O - -	Aluminum 6" 90°, Strip, Outside	(Listed Below)	0.027	20
ASMH6OM2	Aluminum 6" 90°, Strip, Outside	M2 (Premium Color)	0.027	20
ABYH6I - -	Aluminum 6" 45°, Bay, Inside	(Listed Below)	0.027	20
ABYH6IM2	Aluminum 6" 45°, Bay, Inside	M2 (Premium Color)	0.027	20
ABYH6O - -	Aluminum 6" 45°, Bay, Outside	(Listed Below)	0.027	20
ABYH6OM2	Aluminum 6" 45°, Bay, Outside	M2 (Premium Color)	0.027	20
LSMH6I	Galvalume 6" 90°, Strip, Inside	Mill	26 ga	20
LSMH6O	Galvalume 6" 90°, Strip, Outside	Mill	26 ga	20
CSMH6I	Copper 6" 90°, Strip, Inside	Copper	10 oz	20
CSMH6O	Copper 6" 90°, Strip, Outside	Copper	10 oz	20

Half Round Slip Joints



Part #	Description	Colors	Nom. Gauge/ Thickness	Pieces/ Box
ASJCH6WH	Aluminum 6" HR Slip Joint	WH	0.019	Order by the pc.
LSJCH6WH	Galvalume 6" HR Slip Joint	WH	26 ga	Order by the pc.

Half Round End Caps



Part #	Description	Colors	Nom. Gauge/ Thickness	Pieces/ Box
AECH6 - -	Aluminum 6" HR Universal End Cap	(Listed Below)	0.019	20
AECH6M2	Aluminum 6" HR Universal End Cap	M2 (Premium Color)	0.019	20
LECH6	Galvalume 6" HR Universal End Cap	Mill	26 ga	20
CECH6	Copper 6" HR Universal End Cap	Mill	26 ga	20

Rainware & Accessories Aluminum Colors

COLOR	CODE	COLOR	CODE	COLOR	CODE	COLOR	CODE	COLOR	CODE
ALMOND	AL	CAMEO	CA	■ MUSKET BROWN	MB	* ■ RUSTIC COPPER	M2	VICTORIAN GREY	VG
BEAVER BROWN	BB	CHARCOAL GREY	CG	■ PEBBLESTONE CLAY	PC	■ SANDTONE	ST	■ WICKER	WI
BLACK	BK	CLASSIC CREAM	CC	■ PG METALLIC	M3	■ NX SIERRA CLAY	SI	■ 30 WHITE	WH
■ BRONZE	BZ	■ COPPER PENNY	CP	■ ROYAL BROWN	RB	■ TERRA BRONZE	TB	■ 80 WHITE	80
BUCKSKIN	BU	HARBOR GREY	HG						

■ Stocked half-round colors. Balance of colors available with extended lead-time.

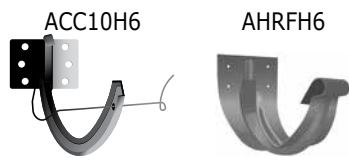
*Rustic Copper is a PREMIUM color. NOTE: Rustic Copper (M2) accessories, including miters and end caps, may display paint finish variations due to the metallic painting process, which may affect matching components.



NORANDEX™ Half Round Products

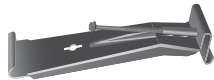
BELOIT PLANT

Half Round Brackets



Part #	Description	Colors	Pieces/Box
ACC10H6 - -	Aluminum 6" HR Combo Cir/Shk w/Clip Hanger	BZ, MB, 80	Order by the pc.
ACC10H6ML	Aluminum 6" HR Combo Cir/Shk w/Clip Hanger	Mill	Order by the pc.
AHRFH6 - -	Aluminum 6" HR Fascia Hanger	BZ, MB, WH	Order by the pc.
GCC10H6	Galvanized 6" HR Combo Cir/Shk w/Clip Hanger	Mill	Order by the pc.
LHRFH6	Galvalume 6" HR Fascia Hanger	Mill	Order by the pc.
CCC10H6	Copper 6" HR Combo Cir/Shk w/Clip Hanger	Copper	Order by the pc.
CHRFH6	Copper 6" HR Fascia Hanger	Copper	Order by the pc.

Half Round Hidden Hangers



Part #	Description	Colors	Pieces/Box
AHHHR6ML	Aluminum 6" HR Hook Hanger	Mill	100
AHHSR6ML	Aluminum 6" HR Hidden Clip Hanger w/Screw	Mill	100
SHHHR6ML	Stainless Steel 6" HR Hook Hanger	Mill	100

Note: Only for reverse bead half round gutters

Half Round T-Wedge Hangers



Part #	Description	Colors	Nom. Gauge/Thickness	Pieces/Bag
ATWHR49ML	Aluminum HR T-Wedge 4900	Mill	0.070	50

A T-Wedge can be adjusted to keep the gutter level at various fascia board angles.

Rainware Aluminum Colors:

COLOR	CODE	COLOR	CODE	COLOR	CODE	COLOR	CODE
BRONZE	BZ	MUSKET BROWN	MB	WHITE	WH	80 WHITE	80



Screen Systems Part # Description Color Nom. Gauge/Thickness Piece Length Pieces/Box Feet/Box



NEW NX Premium Stainless Steel Micro Mesh

The ultimate in gutter protection! This tightly woven, heavy gauge stainless steel micro mesh gutter guard, with its corrosion-resistant properties, is a significant debris deterrent. It installs easily under the shingles and fastens to the front gutter hem with provided screws, while self-adjusting to various roof pitches.

ALGP5SPML	Aluminum 5" Premium SS Micro Mesh	Mill	14 ga	4'	25	100'
ALGP6SPML	Aluminum 6" Premium SS Micro Mesh	Mill	14 ga	4'	25	100'



NX Drop-In

The front attachment provides a firm hold to the front of the gutter and has a wide mounting flange for a permanent install. The mill finish aluminum screen is micro crimped for enhanced durability.

ALGP5DIML	Aluminum 5" Drop-In	Mill	0.025	4'	50	200'
ALGP6DIML	Aluminum 6" Drop-In	Mill	0.025	4'	50	200'



NX Lock Small Hole

The small hole screen system installs quickly without disturbing the shingles with its front and back snap lock system.

GGP5LSHBK	Galvanized 5" Lock Small Hole	BK	28 ga	4'	25	100'
GGP6LSHBK	Galvanized 6" Lock Small Hole	BK	28 ga	4'	25	100'
GGP7LSHBK	Galvanized 7" Lock Small Hole	BK	28 ga	4'	25	100'



NX Lock Regular Hole

The regular hole screen system installs quickly without disturbing the shingles with its front and back snap lock system.

GGP5LRHBK	Galvanized 5" Lock Regular Hole	BK	28 ga	4'	25	100'
GGP6LRHBK	Galvanized 6" Lock Regular Hole	BK	28 ga	4'	25	100'



NX Step Down

The small hole screen incorporates a raised snap-in system in the back of the gutter to seal off the void between the shingles and the screen. Step Down installs quickly without the use of screws or disturbing the shingles.

GGP5SDBK	Galvanized 5" Step Down	BK	28 ga	4'	25	100'
GGP6SDBK	Galvanized 6" Step Down	BK	28 ga	4'	25	100'



NX Premium Lock

The tiny holes keeps out small debris, while allowing water to flow through the screen. Two stiffening beads run down the center of the screen for added strength. Installation is quick and easy without disturbing the shingles. The screen locks into place with a raised back and front-tiered mounting system.

ALGP5PLBK	Aluminum 5" Premium Lock (screen tiny holes)	BK	0.032	4'	25	100'
ALGP6PLBK	Aluminum 6" Premium Lock (screen tiny holes)	BK	0.032	4'	25	100'



NX Deluxe Half Round

Spring tension design holds this gutter screen in place. Snaps in and out of half round gutters for easy cleaning. 28 gauge steel stands tough under a full load of wet leaves without collapsing. Installs with a slope toward the front to help debris slide off.

GLGEZ6DH	Galvanized 6.5" Deluxe Half Round	BK	28 ga	4'	25	100'
----------	-----------------------------------	----	-------	----	----	------

Gutter Screen System Color:

COLOR	CODE	COLOR	CODE
BLACK	BK	MILL	ML



NORANDEX™ Gutter Protection

BELOIT PLANT

Perforated & Dome

Part #	Description	Colors	Nom. Gauge/ Thickness	Piece Length	Pieces/ Box	Feet/ Box
--------	-------------	--------	--------------------------	-----------------	----------------	--------------



NX Smooth Flow

NX Smooth Flow

The perforated cover installs easily without disturbing the shingles. Product is factory notched for easy overlapping. Dual center ribbed bends provide extra rigidity against expansion and contraction. Six 50-count bags of #6 hex head 3/8 stainless steel painted screws are included.

ALGP5SF - -	5" Smooth Flow	BK, WH	0.019	6'	40	240'
ALGP5SFML	5" Smooth Flow	Mill	0.019	6'	40	240'
ALGP510SF -	5" Smooth Flow	B, W	0.019	10'	25	250'
ALGP510SFM	5" Smooth Flow	Mill	0.019	10'	25	250'
ALGP6SF - -	6" Smooth Flow	BK, WH	0.019	6'	40	240'
ALGP6SFML	6" Smooth Flow	Mill	0.019	6'	40	240'
ALGP610SF -	6" Smooth Flow	B, W	0.019	10'	25	250'
ALGP610SFM	6" Smooth Flow	Mill	0.019	10'	25	250'



NX Master Flow

NX Master Flow

The snap in perforated panels are installed without disturbing the shingles and without the use of screws. The patented curved back portion keeps the contoured front mounting system in place, provides a gentle transition of rainwater on to the panel, blocks debris from depositing in the back of the gutter, and is not obstructed by screw hangers.

ALGP5MFBK	Aluminum 5" Master Flow	BK	0.019	4'	25	100'
ALGP6MFBK	Aluminum 6" Master Flow	BK	0.019	4'	25	100'



NX Snap-In Dome

NX Snap-In Dome Cover

This unique solid dome cover is designed for maximum debris load and is one of the easiest dome cover systems to install. The dome cover snaps in without the use of brackets or screws and doesn't disturb the shingles. Snap-In Dome is available in several colors to enhance the curb appeal of your home by blending in with the roof line.

ALGP5SD - -	Aluminum 5" Snap-In Dome	BK, RB, TB, WH	0.028	4'	14	56'
ALGP6SD - -	Aluminum 6" Snap-In Dome	BK, RB, TB, WH	0.028	4'	14	56'



NX Solid

NX Solid Cover

This solid guard allows the water to track around the front (by surface tension) and into the gutter, while forcing debris to fly off. It also features a perforated bend line where the metal meets the roof.

ALGEZ5SO - -	Aluminum 5" Solid	BK, RB, TB, WH	0.019	4'	25	100'
ALGEZ6SO - -	Aluminum 6" Solid	BK, RB, TB, WH	0.019	4'	25	100'



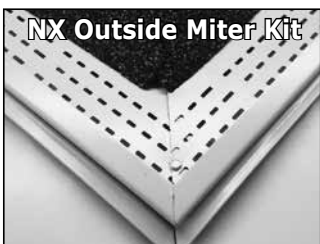
NX Inside Miter Kit

NX Inside Miter Kit

A5SDIMK - -	Alum. 5" 1 Rt Panel, 1 Lft Panel & 4' Rain Diverter	BK, RB, TB, WH	0.027	4'	1 pair/box	
A6SDIMK - -	Alum. 6" 1 Rt Panel, 1 Lft Panel & 4' Rain Diverter	BK, RB, TB, WH	0.027	4'	1 pair/box	

NX Outside Miter Kit

A5SDOMK - -	Aluminum 5" 1 Right Panel & 1 Left Panel	BK, RB, TB, WH	0.027	4'	1 pair/box	
A6SDOMK - -	Aluminum 6" 1 Right Panel & 1 Left Panel	BK, RB, TB, WH	0.027	4'	1 pair/box	



NX Outside Miter Kit

NX Universal End Caps

A5SDUEC - -	Aluminum 5" Universal End Caps	BK, RB, TB, WH	0.019		10/Bag	
A6SDUEC - -	Aluminum 6" Universal End Caps	BK, RB, TB, WH	0.019		10/Bag	



NX Universal End Cap

Gutter Protection Colors:

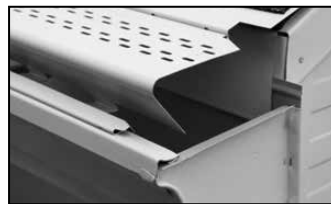
COLOR	CODE	COLOR	CODE	COLOR	CODE	COLOR	CODE	COLOR	CODE
BLACK	BK	ROYAL BROWN	RB	TERRA BRONZE	TB	WHITE		MILL	ML



Gutter Protection

BELOIT PLANT

Gutter Protection		Part #	Description	Colors	Nom. Gauge/ Thickness	Piece Length	Pieces/ Box
Gutter Protection							
ALGLFH55	- -	Aluminum 5"/6" Perforated High-Flow Gutter Cover with Screws 4'	AL, BK, CC, CL, DB, EG, IV, MB, PL, RB, S1, TB, TX, WH	0.024	4'	25	
ALGLFH5M2		Aluminum 5"/6" Perforated High-Flow Gutter Cover with Screws 4'	M2	0.024	4'	25	
ALGLFS5	- -	Aluminum 5"/6" Standard Solid Gutter Cover with Screws 4'	AL, BK, CC, CL, DB, EG, IV, MB, PL, RB, S1, TB, TX, WH	0.024	4'	25	
ALGLFS5M2		Aluminum 5"/6" Standard Solid Gutter Cover with Screws 4'	M2	0.024	4'	25	
ALGLFZCBK		Aluminum 5"/6" LF Zip Channel	BK	0.019	7'6"	20	
ALGRX5	- -	Aluminum 5" Drop-In Cover 6'	DB, WH	0.019	6'	50	
ALGRX6	- -	Aluminum 6" Drop-In Cover 6'	DB, WH	0.019	6'	50	
ALGP5CS	- -	Aluminum 5" Clean Sweep 7-1/2'	BK, WH	0.019	7'6"	40	
ALGP6CS	- -	Aluminum 6" Clean Sweep 7-1/2'	BK, WH	0.019	7'6"	40	



ALGLFH5 Perforated High Flow



ALGLFS5 Standard Solid



ALGLFZCBK LF Zip Channel



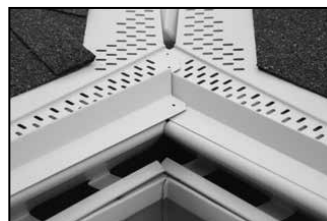
ALGRX5 Drop-In



ALGP5CSWH Clean Sweep

Gutter Protection Accessories

ALGLFM5	- -	Miters (set - 1 Left & 1 Right)	AL, BK, CC, CL, DB, EG, IV, MB, PL, RB, S1, TB, TX, WH	0.024		10
ALGLFM5M2		Miters (set - 1 Left & 1 Right)	M2	0.024		10
ALGLFE5R	- -	End Caps (Right)	AL, BK, CC, CL, DB, EG, IV, MB, PL, RB, S1, TB, TX, WH	0.024	5"	25
ALGLFE5RM2		End Caps (Right)	M2	0.024	5"	25
ALGLFE5L	- -	End Caps (Left)	AL, BK, CC, CL, DB, EG, IV, MB, PL, RB, S1, TB, TX, WH	0.024	5"	25
ALGLFE5LM2		End Caps (Left)	M2	0.024	5"	25



ALGLFM5 Miters



ALGLFE5 R/L End Caps

Gutter Protection Colors:

COLOR	CODE	COLOR	CODE	COLOR	CODE	COLOR	CODE	COLOR	CODE
ALMOND	AL	CLAY	CL	IVORY	IV	ROYAL BROWN	RB	TERRA BRONZE	TB
BLACK	BK	DARK BRONZE	DB	MUSKET BROWN	MB	*RUSTIC COPPER	M2	TUXEDO GRAY	TX
CLASSIC CREAM	CC	EVERGREEN	EG	PEARL GRAY	PL	SAND	S1	30 WHITE	WH

*Rustic Copper is a PREMIUM color. NOTE: Rustic Copper (M2) accessories, including miters and end caps, may display paint finish variations due to the metallic painting process, which may affect matching components.

Trim Coil Offering

BELOIT PLANT

Trim Coil	Description	Piece Length	Pieces/Box	Boxes/Pallet	Pieces/Pallet	Rolls/Truck
	.019 Aluminum Trim Coil	50'	1	48	48	1248

Unless otherwise stated, all Smooth and Wood Grain trim coil is white (W1) on the opposite side.

NORANDEX™	Smooth ATCS24 --	Woodgrain ATCW24 --	PVC ATCP24 --	Rainware Comparable
Acadia Green	G19	G19	N/A	N/A
Almond	D49	D49	D49	AD
Beige	D52	D52	D52	N/A
Beaver Brown	B5	B5	N/A	BB
Beaver Brown (19")	ATCS19B5	ATCW19B5	N/A	BB
Bronze	B13	B13	B13	N/A
Cactus	G16	G16	G16	N/A
Carbon	A29	A29	A29	N/A
Champagne	D53	D53	D53	CH
Cobblestone Clay	D56	D56	D56	N/A
Cream	D22	D22	D22	CC
Deep Water	L10	L10	L10	N/A
Dove Gray	A26	A26	A26	N/A
Dune	D54	D54	D54	CD
Fern	A24	A24	A24	N/A
Firebrick	R6	R6	R6	N/A
Geneva Blue	L9	L9	L9	N/A
Granite	A19	A19	A19	GG
Graphite	A25	A25	N/A	N/A
Ivy Green	G13	G13	G13	N/A
Jamestown Blue	L2	L2	L2	N/A
Khaki	D59	D59	N/A	N/A
Linen	W10	W10	W10	LN
Maverick Brown	B20	B20	B20	N/A
Mocha	D58	D58	D58	N/A
Musket Brown	B1	B1	B1	MB
Myrtle	G17	G17	G17	N/A
Norwegian Wood	D26	D26	N/A	NW
Olive	G14	G14	G14	N/A
Royal Brown	B6	B6	B6	RB
Russet	B18	B18	B18	RT
Rustic Cedar	D65	D65	N/A	N/A
Sand	D51	D51	D51	SD
Sand Stone	D46	D46	D46	SS
Seaport	A22	A22	A22	N/A
Sierra	D47	D47	D47	SI
Silver	A3	A3	A3	SG
Smoke	A21	A21	A21	N/A
Steel Blue	L8	L8	L8	N/A
Tan	D48	D48	D48	TN
Tumbleweed Tan	D55	D55	D55	N/A
Vintage Grey	A9	A9	A9	N/A
Wedgewood Blue	L7	L7	L7	N/A
Wheat	D50	D50	D50	N/A
White	W1	W1	W1	WH
Yellow	Y4	Y4	N/A	N/A

MASTIC	Smooth ATCS24 --	Woodgrain ATCW24 --	PVC ATCP24 --	Rainware Comparable
Almond	D14	D14	D14	AL
Autumn Harvest	B11	B11	N/A	N/A
Black	A17	A17	N/A	BK
Brookstone	D21	D21	D21	BS
Buckskin	D27	D27	N/A	BU
Cameo	W2	W2	W2	CA
Charcoal Grey	A8	A8	N/A	CG
Classic Cream	D22	D22	D22	CC
Corn Silk	D24	D24	N/A	N/A
Country Blue	L3	L3	N/A	CU
Dark Bronze	B13	B13	B13	N/A
Deep Granite	A9	A9	N/A	N/A
Desert Sand	D34	D34	D34	DS
English Wedgewood	A11	A11	N/A	N/A
Everest	A15	A15	N/A	EV
Evergreen	G6	G6	G6	EG
Harbor Grey	A2	A2	A2	HG
Lakeshore Fern	G2	G2	N/A	N/A
Linen	D4	D4	D4	LI
London Brown	B5	B5	N/A	BB
Misty Shadow	A10	A10	N/A	N/A
Montana Suede	D44	D44	D44	MS
Musket Brown	B1	B1	B1	MB
Natural Slate (Solar Def.)	A23	A23	N/A	N/A
Newport Bay (Solar Def.)	L2	L2	L2	N/A
Pebblestone Clay	D5	D5	D5	PC
Portsmouth Blue	L6	L6	N/A	N/A
Quiet Willow	G12	G12	N/A	N/A
Redwood	R3	R3	N/A	RW
Royal Brown	B6	B6	B6	RB
Rugged Canyon	B9	B9	N/A	N/A
Russet Red	R4	R4	N/A	N/A
Sage	D25	D25	N/A	SA
Sandtone	D6	D6	D6	ST
Scottish Thistle	G9	G9	G9	N/A
Silver Grey	A3	A3	A3	SG
Terra Bronze	B12	B12	B12	TB
Victorian Grey	A5	A5	A5	VG
Village Green	G11	G11	N/A	VI
Vineyard Grove	G7	G7	N/A	N/A
Vintage Brick	R1	R1	R1	N/A
White	W1	W1	W1	WH
Wicker	D8	D8	D8	WI
Woodland Retreat (Sol. Def.)	A29	A29	A29	N/A

TEXTURED	Textured ATCT24 --	NOTE: Textured Trim Coil is painted white on reverse side.
Clay	D39	
Tan	D38	
White	W4	

SPECIALTY COILS	Smooth Part #	Wood Grain Part #	Description	Piece Length	Nom. Ga.	Rolls/Pallet
Black/Royal Brown	ATCS7B14	ATCW7B14	Alum. 7"	50'	0.019	48
Black/Royal Brown	ATCS14B14	ATCW14B14	Alum. 14"	50'	0.019	48
Black/Royal Brown	ATCS24B14	ATCW24B14	Alum. 24"	50'	0.019	48
Black/Royal Brown	ATCS224B14	ATCW224B14	Alum. 24"	50'	0.024	32
Mastic White	ATCS14W1	ATCW14W1	Alum. 14"	50'	0.019	48
Mastic White	ATCS224W1	ATCW224W1	Alum. 24"	50'	0.024	32
Musket Brown	ATCS224B1	ATCW224B1	Alum. 24"	50'	0.024	32
Pebblestone Clay/White	ATCS224D5W	ATCW224D5W	Alum. 24"	50'	0.024	32
Victorian Grey	ATCS14A5	ATCW14A5	Alum. 14"	50'	0.019	48
Any Smooth TC Color	ATCS415 --	ATCW415 --	Alum. 24"	150'	0.019	18

Trim Coil Offering

BELOIT PLANT

Trim Coil	Description	Piece Length	Pieces/Box	Boxes/Pallet	Pieces/Pallet	Rolls/Truck
	.019 Aluminum Trim Coil	50'	1	48	48	1248

Unless otherwise stated, all Smooth and Wood Grain trim coil is white (W1) on the opposite side.

CERTAINTEED	Smooth ATCS24--	Woodgrain ATCW24--	PVC ATCP24--	Rainware Comparable
Autumn Red	R6	R6	R6	N/A
Buckskin	D23	D23	N/A	N/A
Castle Stone	A21	A21	A21	N/A
Charcoal Gray	A9	A9	N/A	N/A
Cypress	G1	G1	G1	N/A
Desert Tan	D13	D13	D13	N/A
Flagstone	A12	A12	N/A	N/A
Forest	G17	G17	G17	N/A
Granite Gray	A2	A2	A2	N/A
Hearthstone	B10	B10	N/A	N/A
Heritage Cream	Y1	Y1	Y1	N/A
Herringbone	D37	D37	D37	N/A
Light Maple	D12	D12	D12	N/A
Linen	D7	D7	D7	N/A
Mountain Cedar	B11	B11	N/A	N/A
Musket Brown	B2	B2	B2	N/A
Natural Clay	D47	D47	D47	SI
Oxford Blue	L1	L1	L1	N/A
Pacific Blue	L8	L8	L8	N/A
Sable Brown	B20	B20	B20	N/A
Sandstone Beige	D18	D18	D18	N/A
Savannah Wicker	D33	D33	D33	N/A
Seagrass	G9	G9	G9	N/A
Silver Ash	D19	D19	N/A	N/A
Slate	A29	A29	A29	N/A
Smokey Gray	A10	A10	N/A	N/A
Snow	W1	W1	W1	N/A
Spruce	G5	G5	N/A	N/A
Sterling Gray	A14	A14	A14	N/A
Wedgewood Blue	C9	C9	N/A	N/A

EXTERIOR PORTFOLIO	Smooth ATCS24--	Woodgrain ATCW24--	PVC ATCP24--	Rainware Comparable
Aspen White	W1	W1	W1	WH
Bone	D37	D37	D37	N/A
Clay	D47	D47	D47	SI
Country Beige	D46	D46	D46	N/A
Cypress	G1	G1	G1	N/A
Driftwood	A28	A28	A28	N/A
Espresso	B12	B12	B12	N/A
Graphite	A10	A10	N/A	N/A
Greystone	A2	A2	A2	HG
Honey Oak	D23	D23	N/A	N/A
Ivory	D10	D10	D10	N/A
Lighthouse Red	R1	R1	R1	N/A
Metropolitan Gray	A9	A9	N/A	N/A
Mocha	D7	D7	D7	N/A
Oceanside	A22	A22	A22	N/A
Olive	G2	G2	N/A	N/A
Pearl	W2	W2	W2	CA
Peppercorn	C14	C14	N/A	N/A
Regatta Blue	L2	L2	L2	N/A
Rye	D21	D21	D21	BS
Saddle	D6	D6	D6	ST
Slate	L10	L10	L10	N/A
Spruce	G17	G17	G17	N/A
Wheat	Y1	Y1	Y1	N/A
Wicker	D8	D8	D8	WI

VARIFORM	Smooth ATCS24--	Woodgrain ATCW24--	PVC ATCP24--	Rainware Comparable
Autumn Beige	D31	D31	N/A	N/A
Briarwood	B9	B9	N/A	N/A
Classic Cream	D22	D22	D22	CC
Delray Sand	Y1	Y1	Y1	N/A
Flint	A7	A7	N/A	N/A
Georgian Gray	A4	A4	A4	N/A
Irish Thistle	A1	A1	A1	N/A
Island Pearl	W2	W2	W2	CA
Mediterranean Palm	G2	G2	N/A	N/A
Natural Almond	D13	D13	D13	N/A
Sagebrook	G12	G12	N/A	N/A
Sandtone	D6	D6	D6	ST
Sandy Tan	D33	D33	D33	N/A
Silver Mist	D37	D37	D37	N/A
Stone Mountain Clay	D47	D47	D47	SI
Twilight Shadow	A10	A10	N/A	N/A
Wedgewood	A11	A11	N/A	N/A

ROYAL	Smooth ATCS24--	Woodgrain ATCW24--	PVC ATCP24--	Rainware Comparable
Beige	D10	D10	D10	N/A
Clay	D21	D21	D21	BS
Cypress	G1	G1	G1	N/A
Driftwood	D37	D37	N/A	N/A
Flagstone	A1	A1	A1	N/A
Granite	A25	A25	N/A	N/A
Harvard Slate	A2	A2	A2	HG
Heather	G8	G8	G8	N/A
Linen	D4	D4	D4	LI
Midnight Surf	L10	L10	L10	N/A
Musket Brown	B1	B1	B1	MB
Natural Cedar	B7	B7	B7	N/A
Pebble Clay/Brownstone	D5	D5	D5	PC
Rockslide	A9	A9	N/A	N/A
Sand	D7	D7	D7	N/A
Soft Maple	D12	D12	D12	N/A
Sterling	A3	A3	A3	SG
Storm	A22	A22	A22	N/A
Urban Bronze	C14	C14	N/A	N/A
Vintage Cream	D30	D30	D30	N/A
Wicker	D8	D8	D8	WI

JAMES HARDIE	Smooth ATCS24--	Woodgrain ATCW24--	PVC ATCP24--
Aged Pewter / Deep Ocean	C12	C12	N/A
Arctic White / Woodstock Brown	C2	C2	N/A
Chestnut Brown / Evening Blue	C8	C8	N/A
Cobblestone / Autumn Tan	C6	C6	N/A
Heathered Moss / Boothbay Blue	C9	C9	N/A
Iron Gray / Countrylane Red	C7	C7	N/A
Khaki Brown / Sail Cloth	C1	C1	N/A
Monterey Taupe / Sandstone Beige	C11	C11	N/A
Mountain Sage / Light Mist	C10	C10	N/A
Navajo Beige / Timber Bark	C5	C5	N/A
Night Gray / Pearl Gray	C13	C13	N/A
Rich Espresso / Gray Slate	C14	C14	N/A
Sandstone Beige (PVC only)	N/A	N/A	D15

PROUDLY FINISHED WITH

SHERWIN-WILLIAMS.
Coil Coatings

Trim Coil Offering

BELOIT PLANT

Trim Coil	Description	Piece Length	Pieces/Box	Boxes/Pallet	Pieces/Pallet	Rolls/Truck
	.019 Aluminum Trim Coil	50'	1	48	48	1248

Unless otherwise stated, all Smooth and Wood Grain trim coil is white (W1) on the opposite side.

ALLURA'S COLORMAX®	Smooth ATCS24--	Woodgrain ATCW24--	PVC ATCP24--	Rainware Comparable
Ashen	C6	C6	N/A	N/A
Autumn Red	R6	R6	R6	N/A
Bark	C14	C14	N/A	N/A
Cool Charcoal	C12	C12	N/A	N/A
Desert Tan	D13	D13	D13	N/A
Flagstone	A22	A22	A22	N/A
Granite Gray	A2	A2	A2	N/A
Hearthstone	B10	B10	N/A	N/A
Linen	D7	D7	D7	N/A
Natural Clay	D26	D26	N/A	N/A
Pacific Blue	L8	L8	L8	N/A
Rock Cliffs	C6	C6	N/A	N/A
Sable Brown	B20	B20	B20	N/A
Savannah Wicker	D8	D8	D8	N/A
Snow	W1	W1	W1	WH
Sterling Gray	A28	A28	A28	N/A
Taupe	D47	D47	D47	SI

LP® SIDING SMARTSIDE®	Smooth ATCS24--	Woodgrain ATCW24--	PVC ATCP24--	Rainware Comparable
Abyss Black	A27	A27	A27	N/A
Canyon Brown	C8	C8	N/A	N/A
Cavern Steel	C13	C13	N/A	N/A
Desert Stone	C6	C6	N/A	N/A
Garden Sage	G2	G2	N/A	N/A
Harvest Honey	D23	D23	N/A	N/A
Midnight Shadow	A23	A23	N/A	N/A
Prairie Clay	D47	D47	D47	SI
Quarry Gray	A31	A31	N/A	N/A
Rapids Blue	L11	L11	N/A	N/A
Redwood Red	R8	R8	N/A	N/A
Sand Dunes	D48	D48	D48	TN
Snowscape White	W6	W6	W6	N/A
Summit Blue	C9	C9	N/A	N/A
Terra Brown	C1	C1	N/A	N/A
Timberland Suede	C2	C2	N/A	N/A
Tundra Gray	C12	C12	N/A	N/A

EVERLAST®	Smooth ATCS24--	Woodgrain ATCW24--	PVC ATCP24--	Textured ATCT24--	Rainware Comparable
Antique Ivory	D22	D22	D22	N/A	CC
Blue Spruce	L10	L10	L10	N/A	N/A
Chestnut	B9	B9	N/A	N/A	N/A
Flagstone	A22	A22	A22	N/A	N/A
Misty Taupe	D47	D47	D47	N/A	SI
Natural White	N/A	N/A	N/A	W4	N/A
Saddle Wood	C14	C14	N/A	N/A	N/A
Sand Dune	C6	C6	N/A	N/A	N/A
Seaside Grey	N/A	N/A	N/A	M1	N/A
Slate	A19	A19	A19	N/A	GG
Spanish Moss	G12	G12	N/A	N/A	N/A
Storm Grey	L10	L10	L10	N/A	N/A
Willow	G1	G1	G1	N/A	N/A

EXTREME WINDOWS BY NORANDEX™	Smooth ATCS24--	Woodgrain ATCW24--	PVC ATCP24--	Rainware Comparable
Almond	D62	D62	D62	N/A
Brick Red	R3	R3	N/A	RW
Bronze	B13	B13	N/A	N/A
Clay	D56	D56	D56	N/A
Dark Chocolate	B2	B2	B2	N/A
Hunter Green	G20	G20	N/A	N/A
Tan	D33	D33	D33	N/A
Terratone	C5	C5	N/A	N/A
White	W11	W11	N/A	N/A

PERFEXION BY NORANDEX™	Smooth ATCS24--	Woodgrain ATCW24--	PVC ATCP24--	Textured ATCT24--	Rainware Comparable
Black	A17	A17	N/A	N/A	BK
Brick	R3	R3	N/A	N/A	RW
Bronze	B13	B13	N/A	N/A	N/A
Chocolate	B6	B6	B6	N/A	RB
Cream	D14	D14	D14	N/A	AL
Driftwood	G20	G20	N/A	N/A	N/A
Extruded Driftwood	G8	G8	G8	N/A	N/A
Extruded Tan	N/A	N/A	N/A	D38	N/A
Extruded White	W1	W1	W1	N/A	WH
Pine	G18	G18	G18	N/A	N/A
Tan	N/A	N/A	N/A	D38	N/A

PELLA® WINDOW	Smooth ATCS24--	Woodgrain ATCW24--	PVC ATCP24--	Rainware Comparable
Almond	D62	D62	D62	N/A
Black	A27	A27	A17	N/A
Brick Red	R7	R7	R7	N/A
Brown	B22	B22	B22	N/A
Fossil	D66	D66	N/A	N/A
Hartford Green	G18	G18	G18	N/A
Morning Sky	A28	A28	A28	N/A
Poplar White	D61	D61	D61	N/A
Portobello	B23	B23	B23	N/A
Putty	D63	D63	D63	N/A
Tan	D64	D64	D64	N/A
White	W6	W6	W6	N/A

ANDERSEN® WINDOWS	Smooth ATCS24--	Woodgrain ATCW24--	PVC ATCP24--	Rainware Comparable
Black	A30	A30	N/A	N/A
Canvas	W12	W12	N/A	N/A
Cocoa Bean	B26	B26	N/A	N/A
Dark Bronze	B25	B25	N/A	N/A
Forest Green	G20	G20	N/A	N/A
Sandtone	D66	D66	N/A	N/A
Terratone	B24	B24	N/A	N/A
White	W11	W11	N/A	N/A

All Andersen® trim coil is white (W11) on the opposite side.

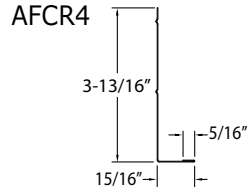
PROUDLY FINISHED WITH
SHERWIN-WILLIAMS.
Coil Coatings



NORANDEX™ Fascia

BELOIT PLANT

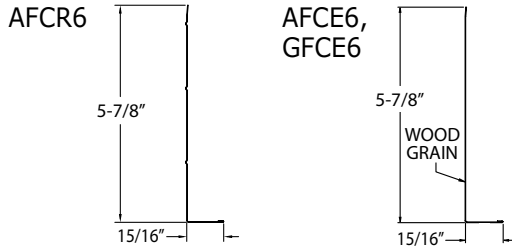
4" Fascia	Part #	Description	Colors	Nom. Gauge/ Thickness	Piece Length	Pieces/ Box	Boxes/ Pallet	Pieces/ Pallet
	AFCR4 - -	Aluminum 4" Ribbed Fascia	BZ, DS, EG, LI, MB, PC, RB, ST, TB, WH, WI	0.024	12'	25	24	600



6" Fascia	Part #	Description	Colors	Nom. Gauge/ Thickness	Piece Length	Pieces/ Box	Boxes/ Pallet	Pieces/ Pallet
	AFCS6 - -	Aluminum 6" Smooth Fascia	(Listed Below)	0.024	12'	25	24	600
	AFCR6 - -	Aluminum 6" Ribbed Fascia	(Listed Below)	0.024	12'	25	24	600
	AFCE6 - -	Aluminum 6" No. Pine Wood Grain	(Listed Below)	0.024	12'	25	24	600
	GFCE6 - -	Galvanized 6" No. Pine Wood Grain	TB, WH	26 ga	12'	10	24	240



Note: Aluminum coil will not match steel fascia due to a different coating process.



Fascia Colors | •=Color-Thru System™

COLOR	CODE	COLOR	CODE	COLOR	CODE	COLOR	CODE	COLOR	CODE
• NX ALMOND	D49	• NX CHAMPAGNE	D53	• HARBOR GREY	HG	• REDWOOD	RW	• SANDTONE	ST
• ALMOND	AL	• CHARCOAL GREY	CG	• NX LINEN	W10	• ROYAL BROWN	RB	• NX SIERRA CLAY	D47
• BEAVER BROWN	BB	• CLASSIC CREAM	CC	• LINEN	LI	• NX RUSSET	B18	• SILVER	SG
• BLACK	BK	• COUNTRY BLUE	CU	• MONTANA SUEDE	XMS	• SAGE	SA	• NX TAN	D48
• BRONZE	BZ	• DESERT SAND	DS	• MUSKET BROWN	MB	• NX SAND	D51	• TERRA BRONZE	TB
• BROOKSTONE	BS	• NX DUNE	D54	• NORWEGIAN WOOD	NW	• NX SAND STONE	D46	• VICTORIAN GREY	VG
• BUCKSKIN	BU	• EVEREST	EV	• PEBBLESTONE CLAY	PC			• WHITE	WH
• CAMEO	CA	• EVERGREEN	EG					• WICKER	WI
		• NX GRANITE	A19						



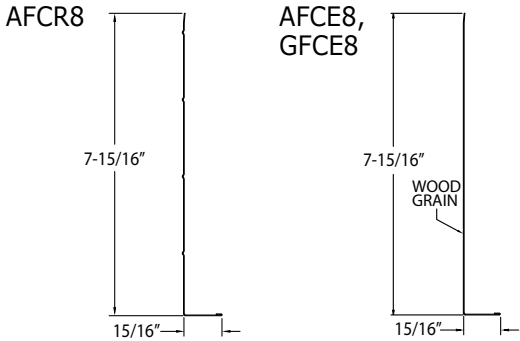
NORANDEX™ Fascia

BELOIT PLANT

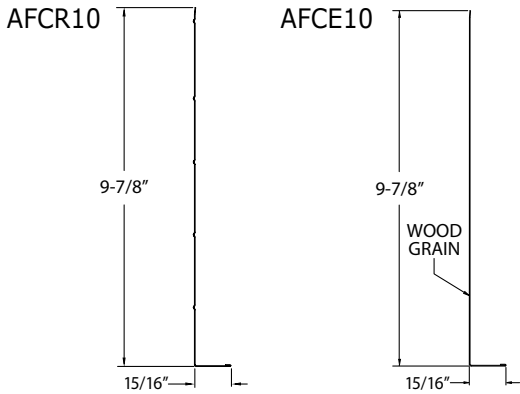
8" Fascia		Part #	Description	Colors	Nom. Gauge/ Thickness	Piece Length	Pieces/ Box	Boxes/ Pallet	Pieces/ Pallet
		AFCS8 - -	Aluminum 8" Smooth Fascia	(Listed Below)	0.024	12'	25	20	500
		AFCR8 - -	Aluminum 8" Ribbed Fascia	(Listed Below)	0.024	12'	25	20	500
		AFCE8 - -	Aluminum 8" No. Pine Wood Grain	(Listed Below)	0.024	12'	25	20	500
		GFCE8 - -	Galvanized 8" No. Pine Wood Grain	RB, WH	26 ga	12'	10	20	200



Note: Aluminum coil will not match steel fascia due to a different coating process.



10" Fascia		Part #	Description	Colors	Nom. Gauge/ Thickness	Piece Length	Pieces/ Box	Boxes/ Pallet	Pieces/ Pallet
		AFCS10WH	Aluminum 10" Smooth Fascia	WH	0.024	12'	25	8	200
		AFCR10WH	Aluminum 10" Ribbed Fascia	WH	0.024	12'	25	8	200
		AFCE10WH	Alum. 10" No. Pine Wood Grain	WH	0.024	12'	25	8	200

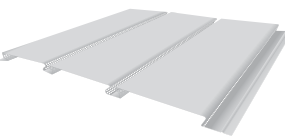


Fascia Colors | ●=Color-Thru System™

COLOR	CODE	COLOR	CODE	COLOR	CODE	COLOR	CODE	COLOR	CODE
• NX ALMOND	D49	• NX CHAMPAGNE	D53	• HARBOR GREY	HG	• REDWOOD	RW	• SANDTONE	ST
• ALMOND	AL	• CHARCOAL GREY	CG	• NX LINEN	W10	• ROYAL BROWN	RB	• NX SIERRA CLAY	D47
• BEAVER BROWN	BB	• CLASSIC CREAM	CC	• LINEN	LI	• NX RUSSET	B18	• SILVER	SG
• BLACK	BK	• COUNTRY BLUE	CU	• MONTANA SUEDE	XMS	• RUSTIC COPPER	M2	• NX TAN	D48
• BRONZE	BZ	• DESERT SAND	DS	• MUSKET BROWN	MB	• SAGE	SA	• TERRA BRONZE	TB
• BROOKSTONE	BS	• NX DUNE	D54	• NORWEGIAN WOOD	NW	• NX SAND	D51	• VICTORIAN GREY	VG
• BUCKSKIN	BU	• EVEREST	EV	• PEBBLESTONE CLAY	PC	• NX SAND STONE	D46	• WHITE	WH
• CAMEO	CA	• EVERGREEN	EG					• WICKER	WI
		• NX GRANITE	A19						



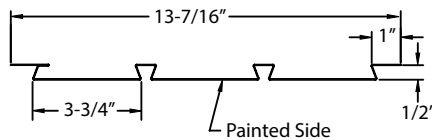
12" Hidden Vent Soffit



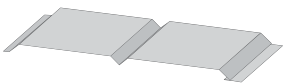
Part #	Description	Colors	Nom. Gauge/ Thickness	Piece Length	Pieces/ Box	Boxes/ Pallet	Pieces/ Pallet	Squares/ Box
AST12HV --	Alum. 12" Hidden Vent	AL, BK, BZ, CA, DS, HG, MB, PC, RB, ST, TB, VG, WH, WI	0.019	12'	16	24	384	1.92

NOTE: Requires 1/2" J- or F-Channel for installation.

Hidden Vent Soffit NFA 10.3 sq. in. / sq. ft.



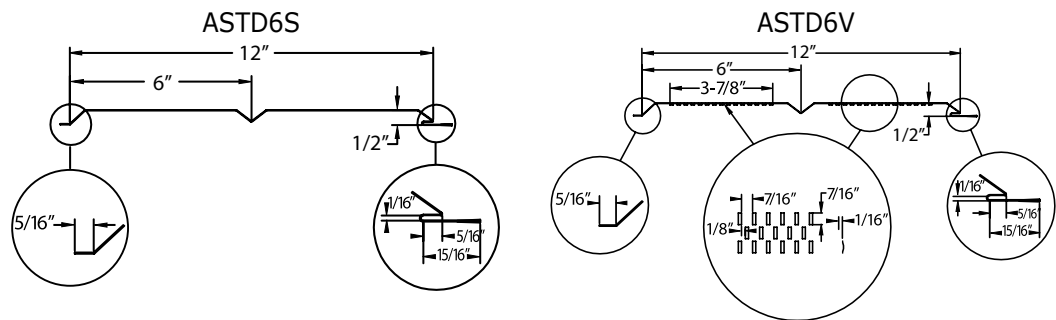
12" Double 6 D6 Soffit



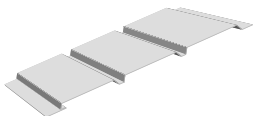
Part #	Description	Colors	Nom. Gauge/ Thickness	Piece Length	Pieces/ Box	Boxes/ Pallet	Pieces/ Pallet	Squares/ Box
ASTD6S --	Aluminum Solid	MB, PC, RB, D46, D47, TB, WH, WI	0.019	12'	16	24	384	1.92
ASTD6V --	Aluminum Full Vent	MB, PC, RB, D46, D47, TB, WH, WI	0.019	12'	16	24	384	1.92

NOTE: Requires 1/2" J- or F-Channel for installation.

D6 Soffit NFA 10.37 sq. in. / sq. ft.



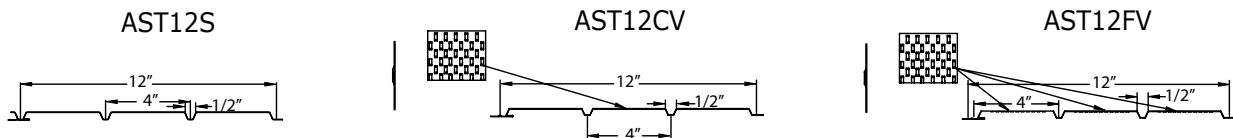
12" Soffit



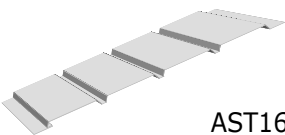
Part #	Description	Colors	Nom. Gauge/ Thickness	Piece Length	Pieces/ Box	Boxes/ Pallet	Pieces/ Pallet	Squares/ Box
AST12S --	Aluminum Solid	*(Listed Below)	0.019	12'	20	15	300	2.4
AST12CV --	Aluminum Center Vent	(Listed Below)	0.019	12'	20	15	300	2.4
AST12FV --	Aluminum Full Vent	(Listed Below)	0.019	12'	20	15	300	2.4

NOTE: Requires 3/8" accessory channels.

Full Vent NFA 17.93 sq. in. / sq. ft. Center Vent NFA 6.19 sq. in. / sq. ft.



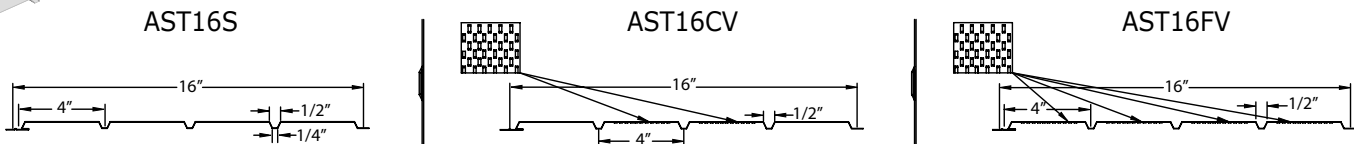
16" Soffit



Part #	Description	Colors	Nom. Gauge/ Thickness	Piece Length	Pieces/ Box	Boxes/ Pallet	Pieces/ Pallet	Squares/ Box
AST16S --	Aluminum Solid	(Listed Below)	0.019	12'	10	20	200	1.6
AST16CV --	Aluminum Center Vent	(Listed Below)	0.019	12'	10	20	200	1.6
AST16FV --	Aluminum Full Vent	(Listed Below)	0.019	12'	10	20	200	1.6

NOTE: Requires 3/8" accessory channels.

Full Vent NFA 17.98 sq. in. / sq. ft. Center Vent NFA 8.99 sq. in. / sq. ft.



Soffit Colors | ●=Color-Thru System™

COLOR	CODE	COLOR	CODE	COLOR	CODE	COLOR	CODE	COLOR	CODE
● NX ALMOND	D49	● CHARCOAL GREY	CG	● NX LINEN	W10	● ROYAL BROWN	RB	● TERRA BRONZE	TB
● ALMOND	AL	● CLASSIC CREAM	CC	● LINEN	LI	● NX RUSSET	B18	● VICTORIAN GREY	VG
● BEAVER BROWN	BB	● COUNTRY BLUE	CU	● MONTANA SUEDE	XMS	● SAGE	SA	● WHITE	WH
● BLACK	BK	● DESERT SAND	DS	● MUSKET BROWN	MB	● NX SAND	D51	● WICKER	WI
● BRONZE	BZ	● NX DUNE	D54	● NORWEGIAN WOOD	NW	● NX SAND STONE	D46		
● BROOKSTONE	BS	● EVEREST	EV	● PEBBLESTONE CLAY	PC	● SANDTONE	ST		
● BUCKSKIN	BU	● EVERGREEN	EG	● REDWOOD	RW	● NX SIERRA CLAY	D47		
● CAMEO	CA	● NX GRANITE	A19			● SILVER	SG		
● NX CHAMPAGNE	D53	● HARBOR GREY	HG			● NX TAN	D48		



NORANDEX™ Siding Accessories

BELOIT PLANT

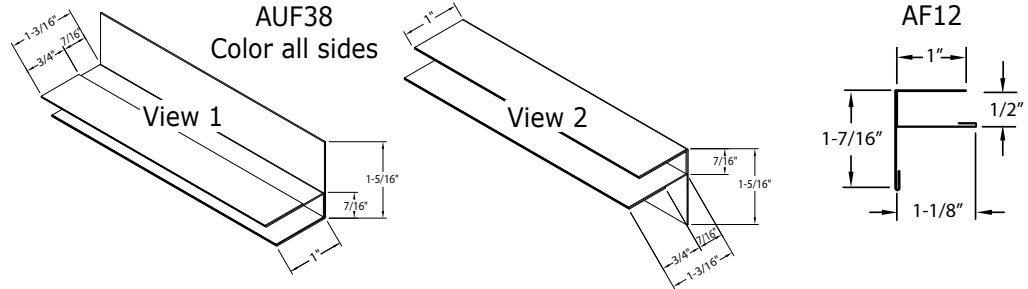
F-Channel



Part #	Description	Colors	Nom. Gauge/ Thickness	Piece Length	Pieces/ Box	Boxes/ Pallet	Pieces/ Pallet
AUF38 - -	Alum. 3/8" Universal F-Channel	*(Listed Below)	0.019	12'	25	24	600
AF12 - -	Alum. 1/2" F-Channel	AL, BK, BZ, CA, DS, HG, MB, D46, D47, PC, RB, ST, TB, VG, WH, WI	0.019	12'	25	24	600
AF58 - -	Alum. 5/8" F-Channel	PC, WH	0.019	12'	30	20	600

*AUF38 not available in Hardie colors.

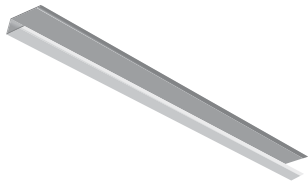
★ "U" Status: Use up until gone.



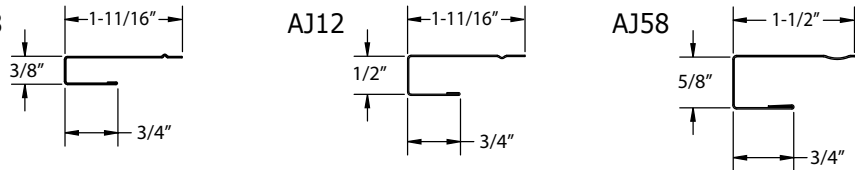
F-Channel Colors: | ● = Color-Thru System™

COLOR	CODE	COLOR	CODE	COLOR	CODE	COLOR	CODE	COLOR	CODE
● NX ALMOND	D49	● NX CHAMPAGNE	D53	● EVERGREEN	EG	● REDWOOD	RW	● NX SIERRA CLAY	D47
● ALMOND	AL	● CHARCOAL GREY	CG	● NX GRANITE	A19	● ROYAL BROWN	RB	● SILVER	SG
● BEAVER BROWN	BB	● CLASSIC CREAM	CC	● HARBOR GREY	HG	● NX RUSSET	B18	● NX TAN	D48
● BLACK	BK	● COUNTRY BLUE	CU	● NX LINEN	W10	● SAGE	SA	● TERRA BRONZE	TB
● BRONZE	BZ	● DESERT SAND	DS	● LINEN	LI	● NX SAND	D51	● VICTORIAN GREY	VG
● BROOKSTONE	BS	● NX DUNE	D5	● MUSKET BROWN	MB	● NX SAND STONE	D46	● WICKER	WI
● BUCKSKIN	BU	● EVEREST	EV	● NORWEGIAN WOOD	NW	● SANDTONE	ST	● WHITE	WH
● CAMEO	CA			● PEBBLESTONE CLAY	PC				

J-Channel



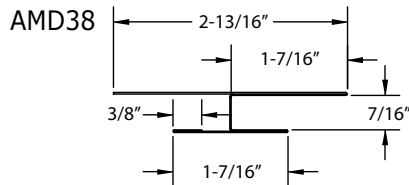
Part #	Description	Colors	Nom. Gauge/ Thickness	Piece Length	Pieces/ Box	Boxes/ Pallet	Pieces/ Pallet
AJ38 - -	Alum. 3/8" J-Channel	(Listed Below)	0.019	12'	25	24	600
AJ12 - -	Alum. 1/2" J-Channel	AL, BK, BZ, CA, DS, HG, MB, D46, D47, PC, RB, ST, TB, VG, WH, WI	0.019	12'	25	24	600
AJ58 - -	Alum. 5/8" J-Channel	PC, WH	0.019	12'	25	24	600



Miter Divider



Part #	Description	Colors	Nom. Gauge/ Thickness	Piece Length	Pieces/ Box	Boxes/ Pallet
AMD38 - -	Alum. 3/8" Miter Divider	(Listed Below)	0.019	10'	10	24



J-Channel & Miter Divider Colors | ● = Color-Thru System™

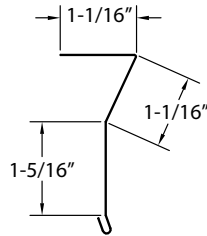
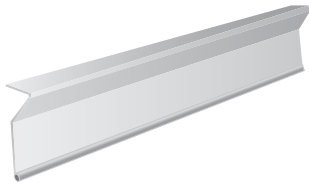
COLOR	CODE	COLOR	CODE	COLOR	CODE	COLOR	CODE	COLOR	CODE
● NX ALMOND	D49	● CHARCOAL GREY	CG	● NX LINEN	W10	● ROYAL BROWN	RB	● TERRA BRONZE	TB
● ALMOND	AL	● CLASSIC CREAM	CC	● LINEN	LI	● NX RUSSET	B18	● VICTORIAN GREY	VG
● BEAVER BROWN	BB	● COUNTRY BLUE	CU	● MONTANA SUEDE	XMS	● SAGE	SA	● WHITE	WH
● BLACK	BK	● DESERT SAND	DS	● MUSKET BROWN	MB	● NX SAND	D51	● WICKER	WI
● BRONZE	BZ	● NX DUNE	D54	● NORWEGIAN WOOD	NW	● NX SAND STONE	D46		
● BROOKSTONE	BS	● EVEREST	EV	● PEBBLESTONE CLAY	PC	● SANDTONE	ST		
● BUCKSKIN	BU	● EVERGREEN	EG	● REDWOOD	RW	● NX SIERRA CLAY	D47		
● CAMEO	CA	● NX GRANITE	A19			● SILVER	SG		
● NX CHAMPAGNE	D53	● HARBOR GREY	HG			● NX TAN	D48		



NORANDEX™ Siding Accessories

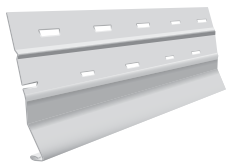
BELOIT PLANT

Siders Edge	Part #	Description	Colors	Nom. Gauge/ Thickness	Piece Length	Pieces/ Box	Boxes/ Pallet	Pieces/ Pallet
-------------	--------	-------------	--------	--------------------------	-----------------	----------------	------------------	-------------------



ASE310	- -	Aluminum 3" Siders Edge	(Listed Below)	0.019	10'	25	24	600
--------	-----	-------------------------	----------------	-------	-----	----	----	-----

Starter Strip	Part #	Description	Colors	Nom. Gauge/ Thickness	Piece Length	Pieces/ Box	Boxes/ Pallet	Pieces/ Pallet
---------------	--------	-------------	--------	--------------------------	-----------------	----------------	------------------	-------------------

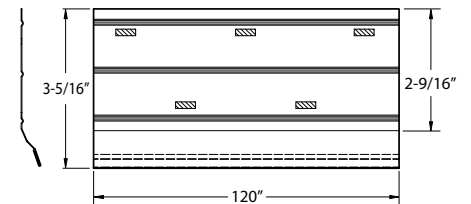
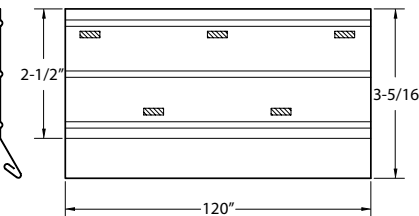
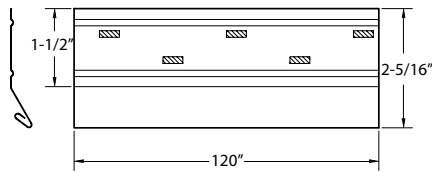


ASS25ML		Aluminum 2-1/2" Starter Strip	Mill	0.019	10'	50	24	1200
ASS35ML		Aluminum 3-1/2" Starter Strip	Mill	0.019	10'	25	24	600
GSS25ML		Galv. 2-1/2" Starter Strip	Mill	28 ga	10'	50	24	1200
GSS35ML		Galv. 3-1/2" Starter Strip	Mill	28 ga	10'	25	24	600
GSSS35		Galv. 3-1/2" Norandex Shake Starter Strip	Mill	28 ga	10'	25	24	600

ASS25ML, GSS25ML

ASS35ML, GSS35ML

GSSS35

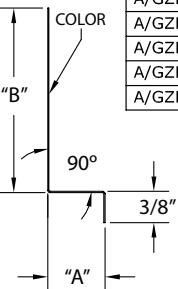


Z-Flashing	Part #	Description	Colors	Nom. Gauge/ Thickness	Piece Length	Pieces/ Box	Boxes/ Pallet	Pieces/ Pallet
------------	--------	-------------	--------	--------------------------	-----------------	----------------	------------------	-------------------



Z Flashing

Part No.	"A"	"B"
A/GZF38	3/8"	2-1/4"
A/GZF44	7/16"	2-1/8"
A/GZF50	1/2"	2-1/16"
A/GZF62	5/8"	2"
A/GZF75	3/4"	1-7/8"



AZF38	- -	Aluminum 3/8" Z-Flashing	(Listed Below)	0.019	10'	25	20	500
AZF38ML		Aluminum 3/8" Z-Flashing	Mill	0.019	10'	25	20	500
AZF44	- -	Aluminum 7/16" Z-Flashing	(Listed Below)	0.019	10'	25	20	500
AZF44ML		Aluminum 7/16" Z-Flashing	Mill	0.019	10'	25	20	500
AZF50	- -	Aluminum 1/2" Z-Flashing	(Listed Below)	0.019	10'	25	20	500
AZF50ML		Aluminum 1/2" Z-Flashing	Mill	0.019	10'	25	20	500
AZF62	- -	Aluminum 5/8" Z-Flashing	(Listed Below)	0.019	10'	25	20	500
AZF62ML		Aluminum 5/8" Z-Flashing	Mill	0.019	10'	25	20	500
AZF75	- -	Aluminum 3/4" Z-Flashing	(Listed Below)	0.019	10'	25	20	500
AZF75ML		Aluminum 3/4" Z-Flashing	Mill	0.019	10'	25	20	500
GZF38	- -	Galvanized 3/8" Z-Flashing	BK, RB, TB, WH	28 ga	10'	25	20	500
GZF38ML		Galvanized 3/8" Z-Flashing	Mill	28 ga	10'	25	20	500
GZF44ML		Galvanized 7/16" Z-Flashing	Mill	28 ga	10'	25	20	500
GZF50	- -	Galvanized 1/2" Z-Flashing	BK, RB, TB, WH	28 ga	10'	25	20	500
GZF50ML		Galvanized 1/2" Z-Flashing	Mill	28 ga	10'	25	20	500
GZF62	- -	Galvanized 5/8" Z-Flashing	BK, RB, TB, WH	28 ga	10'	25	20	500
GZF62ML		Galvanized 5/8" Z-Flashing	Mill	28 ga	10'	25	20	500
GZF75	- -	Galvanized 3/4" Z-Flashing	BK, RB, TB, WH	28 ga	10'	25	20	500
GZF75ML		Galvanized 3/4" Z-Flashing	Mill	28 ga	10'	25	20	500

Siding Accessories Colors | ● = Color-Thru System™

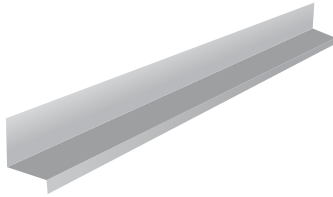
COLOR	CODE	COLOR	CODE	COLOR	CODE	COLOR	CODE	COLOR	CODE
● NX ALMOND	D49	● CHARCOAL GREY	CG	● HARBOR GREY	HG	● PORTSMOUTH BLUE	XPB	● NX SIERRA CLAY	D47
● ALMOND	AL	● CLASSIC CREAM	CC	● HAZEL WOOD	XHW	● REDWOOD	RW	● SILVER	SG
● BEAVER BROWN	BB	● COUNTRY BLUE	CU	● LINEN	LI	● ROYAL BROWN	RB	● NX TAN	D48
● BLACK	BK	● DESERT SAND	DS	● NX LINEN	W10	● NX RUSSET	B18	● TERRA BRONZE	TB
● BRONZE	BZ	● NX DUNE	D54	● MONTANA SUEDE	XMS	● SAGE	SA	● VICTORIAN GREY	VG
● BROOKSTONE	BS	● EVEREST	EV	● MUSKET BROWN	MB	● NX SAND	D51	● VINTAGE BRICK	XVB
● BUCKSKIN	BU	● EVERGREEN	EG	● NORWEGIAN WOOD	NW	● NX SAND STONE	D46	● WHITE	WH
● CAMEO	CA	● NX GRANITE	A19	● PEBBLESTONE CLAY	PC	● SANDTONE	ST	● WICKER	WI
● NX CHAMPAGNE	D53								



NORANDEX™ Siding Accessories

BELOIT PLANT

Drip Cap



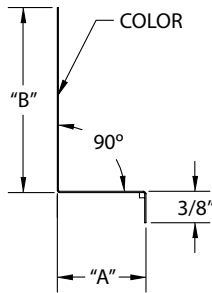
Part #	Description	Colors	Nom. Gauge/ Thickness	Piece Length	Pieces/ Box	Pieces/ Pallet
--------	-------------	--------	-----------------------	--------------	-------------	----------------

90° Drip Cap

ADC078 - -	Aluminum 7/8" Drip Cap 90°	(Listed Below)	0.019	10'	25	1125
ADC100 - -	Aluminum 1" Drip Cap 90°	(Listed Below)	0.019	10'	25	500
ADC100ML	Aluminum 1" Drip Cap 90°	Mill	0.019	10'	25	500
ADC118 - -	Aluminum 1-1/8" Drip Cap 90°	(Listed Below)	0.019	10'	25	500
ADC118ML	Aluminum 1-1/8" Drip Cap 90°	Mill	0.019	10'	25	500
ADC125 - -	Aluminum 1-1/4" Drip Cap 90°	(Listed Below)	0.019	10'	25	500
ADC125ML	Aluminum 1-1/4" Drip Cap 90°	Mill	0.019	10'	25	500
ADC138 - -	Aluminum 1-3/8" Drip Cap 90°	(Listed Below)	0.019	10'	25	500
ADC150 - -	Aluminum 1-1/2" Drip Cap 90°	(Listed Below)	0.019	10'	25	500
ADC150ML	Aluminum 1-1/2" Drip Cap 90°	Mill	0.019	10'	25	500
ADC158 - -	Aluminum 1-5/8" Drip Cap 90°	(Listed Below)	0.019	10'	25	500
ADC175 - -	Aluminum 1-3/4" Drip Cap 90°	(Listed Below)	0.019	10'	25	500
ADC175ML	Aluminum 1-3/4" Drip Cap 90°	Mill	0.019	10'	25	500
ADC200 - -	Aluminum 2" Drip Cap 90°	(Listed Below)	0.019	10'	25	500
GDC078ML	Galvanized 7/8" Drip Cap 90°	Mill	28 ga	10'	25	500
GDC100 - -	Galvanized 1" Drip Cap 90°	BK, RB, TB, WH	28 ga	10'	25	500
GDC100ML	Galvanized 1" Drip Cap 90°	Mill	28 ga	10'	25	500
GDC125ML	Galvanized 1-1/4" Drip Cap 90°	Mill	28 ga	10'	25	500
GDC138 - -	Galvanized 1-3/8" Drip Cap 90°	BK, TB, WH	28 ga	10'	25	500
GDC138ML	Galvanized 1-3/8" Drip Cap 90°	Mill	28 ga	10'	25	500
GDC150 - -	Galvanized 1-1/2" Drip Cap 90°	BK, RB, TB, WH	28 ga	10'	25	500
GDC150ML	Galvanized 1-1/2" Drip Cap 90°	Mill	28 ga	10'	25	500
GDC158 - -	Galvanized 1-5/8" Drip Cap 90°	BK, RB, TB, WH	28 ga	10'	25	500
GDC158ML	Galvanized 1-5/8" Drip Cap 90°	Mill	28 ga	10'	25	500
GDC175ML	Galvanized 1-3/4" Drip Cap 90°	Mill	28 ga	10'	25	500
GDC200 - -	Galvanized 2" Drip Cap 90°	BK, RB, TB	28 ga	10'	25	500
GDC200ML	Galvanized 2" Drip Cap 90°	Mill	28 ga	10'	25	500

Drip Cap 90°

Part No.	ALUM		GALV	
	"A"	"B"	"A"	"B"
A/GDC078	7/8"	1-5/8"	1-5/8"	
A/GDC100	1"	1-9/16"	1-9/16"	
ADC118	1-1/8"	1-7/16"	1-7/16"	
A/GDC125	1-1/4"	1-5/16"	1-5/16"	
A/GDC138	1-3/8"	1-1/8"	1-1/8"	
A/GDC150	1-1/2"	1-1/16"	1-1/16"	
A/GDC158	1-5/8"	2-7/8"	2"	
A/GDC175	1-3/4"	2-3/4"	1-7/8"	
A/GDC200	2"	2-1/2"	1-5/8"	

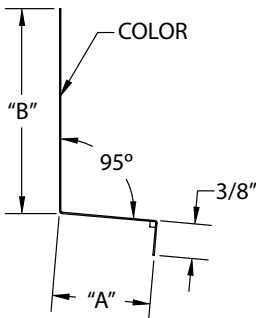


95° Drip Cap

ADC95100 - -	Aluminum 1" Drip Cap 95°	(Listed Below)	0.019	10'	25	500
ADC95118 - -	Aluminum 1-1/8" Drip Cap 95°	(Listed Below)	0.019	10'	25	500
ADC95125 - -	Aluminum 1-1/4" Drip Cap 95°	(Listed Below)	0.019	10'	25	500
ADC95138 - -	Aluminum 1-3/8" Drip Cap 95°	(Listed Below)	0.019	10'	25	500
ADC95150 - -	Aluminum 1-1/2" Drip Cap 95°	(Listed Below)	0.019	10'	25	500
ADC95175 - -	Aluminum 1-3/4" Drip Cap 95°	(Listed Below)	0.019	10'	25	500
ADC95200 - -	Aluminum 2" Drip Cap 95°	(Listed Below)	0.019	10'	25	500

Drip Cap 95°

Part No.	"A"	"B"
A/GDC95118	1-1/8"	1-7/16"
A/GDC95125	1-1/4"	1-5/16"
A/GDC95200	2"	2-5/8"



Siding Accessories Colors | ● = Color-Thru System™

COLOR	CODE	COLOR	CODE	COLOR	CODE	COLOR	CODE	COLOR	CODE
● NX ALMOND	D49	● CHARCOAL GREY	CG	● HARBOR GREY	HG	PORTSMOUTH BLUE	XPB	● NX SIERRA CLAY	D47
● ALMOND	AL	● CLASSIC CREAM	CC	● HAZEL WOOD	XHW	● REDWOOD	RW	● SILVER	SG
● BEAVER BROWN	BB	● COUNTRY BLUE	CU	● LINEN	LI	● ROYAL BROWN	RB	● NX TAN	D48
● BLACK	BK	● DESERT SAND	DS	● NX LINEN	W10	● NX RUSSET	B18	● TERRA BRONZE	TB
● BRONZE	BZ	● NX DUNE	D54	● MONTANA SUEDE	XMS	● SAGE	SA	● VICTORIAN GREY	VG
● BROOKSTONE	BS	● EVEREST	EV	● MUSKET BROWN	MB	● NX SAND	D51	● VINTAGE BRICK	XVB
● BUCKSKIN	BU	● EVERGREEN	EG	● NORWEGIAN WOOD	NW	● NX SAND STONE	D46	● WHITE	WH
● CAMEO	CA	● NX GRANITE	A19	● PEBBLESTONE CLAY	PC	● SANDTONE	ST	● WICKER	WI
● NX CHAMPAGNE	D53								



ALUMINUM RAINWARE, SIDING ACCESSORIES, SOFFIT, FASCIA & TRIM COIL



Buy Norandex™ products with confidence knowing that:

- Norandex™ aluminum products carry a limited lifetime warranty.
- Material and Labor is covered.
- Transferrable at no charge.
- Doesn't require registration.

Norandex™ manufactures Aluminum Soffit, Aluminum Siding & Soffit Accessories, Aluminum Trim Coil, Aluminum Fascia (the "Products"), Aluminum Gutter Coil, and Rainware Accessories in accordance with high standards and tight quality controls. The Products will not rust, burn or support combustion, or split or crack due to cold weather because they are made of aluminum.

WHAT DOES THIS WARRANTY COVER?

Norandex™ warrants to you, the owner of the property at the time the Products were installed, that the Products are free from defects in material and workmanship in the course of manufacture, and that the finish on the Products will not chip, peel, flake or blister under conditions of ordinary wear, if installed according to local building codes and industry specifications. This Warranty is limited to the terms and conditions, exclusions and limitations, requirements and legal rights stated in this Warranty.

HOW LONG DOES THE COVERAGE LAST?

If you are an individual, this Limited Lifetime Warranty lasts for the life of the property on which the Products were originally applied ("Property") for as long as you own the Property. If you are not an individual (e.g., you are a corporation, condominium, cooperative housing arrangement, unincorporated association, school, church, government or public entity, etc.), the warranty period will be 50 years from the date of original installation of the Products on the Property, prorated as outlined in the Warranty Coverage Schedule contained within. This Limited Lifetime Warranty may be transferred with the Property. However, upon the transfer, the warranty period will be no more than 50 years from the date of original installation of the Products on the Property, prorated in accordance with the Warranty Coverage Schedule contained within.

WHAT WILL WE DO?

You must notify us in accordance with the notice requirements outlined below, and we must validate the complaint. In the event the manufacturer is denied access for an inspection, this warranty is null and void. Upon the notification and validation, we will undertake the following:

We will repair, replace or refund the purchase and installation price of the defective portion of our product that blisters, checks, crazes, flakes, peels or weathers unevenly due to a defect in our manufacturing process. Our obligations under this warranty will in no event exceed the purchase price of the originally installed Products found to be warrantable and the cost of the labor involved in the original installation of such defective Products. Any additional costs and expenses beyond these amounts are your responsibility. Norandex™ will not pay or be responsible for any costs associated with or related to anything else affixed to the material or building's roof, including but not limited to solar panels, television antennas, moisture sensors, etc.

In the event of repair, replacement or refinishing under this Warranty, the Warranty applicable to the replacement material or to the repaired or refinished Products will extend only for the time remaining under the original Warranty.

If we elect to repair or replace Product under this warranty, we will also cover the reasonable labor costs for the applicable area, as determined by us.

WHAT DOESN'T THIS WARRANTY COVER?

This Warranty does not cover damage of any kind resulting from:

- buckling or rippling of gutters and fascia;
- product that is stored in situations where standing water is covering the surface for prolonged period of time;
- faulty or improper contractor fabrication or installation, including "oil canning" waving, buckling, or other distortions;
- installation of our Product in direct contact with dissimilar materials as discussed in the final section of this warranty;
- cracking or crazing of the Product's paint surface due to field forming of Products in cold temperatures; or
- changes in surface color resulting from chalking, fading, soiling or staining. Exposure to the elements may cause these changes over time; the degree to which weathering occurs will vary depending on air quality,

the building's location and other local conditions over which we have no control;

- accidental damage; settlement; fire;
- structural shrinkage or distortion of the property structure;
- tree sap deposits may remove the polyester finish and consequently cannot be warranted under our paint finish warranty; lightning, hurricane, tornado, windstorm, earthquake, volcanoes, hail, or other acts of God;
- harmful chemicals (including harmful cleaning compounds and pesticides);
- fumes, volcanic smog, or vapors; Warranty does not cover material within 30 miles of volcano.
- surface deterioration due to air pollution or seacoast environment (no coverage if product installation is within 1500 feet of seacoast);
- misuse or abuse;
- vandalism;
- airborne stains, mold and mildew accumulation;
- tiger striping or atmospheric dirt accumulation is a naturally occurring phenomenon that is not covered under the finish warranty;
- your failure (or the failure of subsequent Property owners) to provide reasonable and necessary maintenance of the Products (see "Care and Maintenance Instructions");
- impact of foreign objects;
- warping or distortion due to exposure to excessive heat sources (e.g., barbecue grills) or exposure to unusual or excessive reflective heat sources (e.g., window reflection);
- products that have been painted or whose surface has been altered in any way will void the paint finish warranty;
- any other causes beyond our reasonable control; or
- corrosion caused by contact with dissimilar materials, treated lumber, or direct salt spray.

OTHER LIMITATIONS

1. This Warranty covers only genuine Norandex™, Aluminum Soffit, Aluminum Siding & Soffit Accessories, select Aluminum Trim Coil, Aluminum Fascia, and Aluminum Gutter Coil & Rainware Accessories. It is your responsibility to verify that the soffit, fascia, and accessories installed are our Products. For Trim Coil, we require written proof it is Norandex™ product. Our products are warranted in the continental United States, Hawaii, and Alaska.

2. Products that are designed and intended for rainware and trim applications should not be used as roofing material or metal dome gutter protection.

3. Due to normal weathering, replacement Products may differ in gloss and color from Products originally installed on the Property.

4. We reserve the right to discontinue or change any design or color of any of our products at any time and without notice or liability. If, for any reason, Products of the type originally installed are no longer available from us at the time you make a warranty claim, we may substitute another product determined by us to be of comparable quality and price.

5. There are no warranties on these Products other than as set forth in this Warranty. We are not liable to you for a breach of any other written or oral express warranties, such as those, if any, given to you by dealers, contractors, applicators, or distributors of the Products.

6. WE EXCLUDE AND ARE NOT RESPONSIBLE FOR ANY CONSEQUENTIAL OR INCIDENTAL DAMAGES ARISING OUT OF ANY BREACH OF THIS EXPRESSED WARRANTY, OR ANY OTHER ORAL, WRITTEN OR IMPLIED WARRANTY THAT MAY APPLY TO YOUR PURCHASE, AS IT RELATES TO OUR PRODUCTS.

THIS IS YOUR EXCLUSIVE WARRANTY AND IS IN LIEU OF ALL OTHER WARRANTIES, EXPRESSED OR IMPLIED, INCLUDING BUT NOT LIMITED TO IMPLIED WARRANTIES OF MERCHANTABILITY AND FITNESS FOR A PARTICULAR PURPOSE.

7. This Warranty gives you specific legal rights. You may also have other rights which vary from state to state. SOME STATES DO NOT ALLOW THE EXCLUSION OR LIMITATION OF INCIDENTAL OR CONSEQUENTIAL DAMAGES, SO THE ABOVE LIMITATION OR EXCLUSION MAY NOT APPLY TO YOU.



STEEL RAINWARE AND ACCESSORIES



Buy Norandex™ products with confidence knowing that:

- Norandex™ steel rainware products carry a limited lifetime warranty.
- Material and Labor is covered.
- Doesn't require registration.

Norandex™ manufactures Steel Rainware & Accessories including Gutter Coil in accordance with high standards and tight quality controls. The Products will not burn or support combustion, or split or crack due to cold weather because they are made of steel.

WHAT DOES THIS WARRANTY COVER?

Norandex™ warrants to you, the owner of the property at the time the Products were installed, that the Products are free from defects in material and workmanship in the course of manufacture, and that the finish on the Products will not chip, peel, flake or blister under conditions of ordinary wear, if installed according to local building codes and industry specifications. This warranty excludes any areas of the material that are within 3/4" of any edge that has been cut subsequent to the application of the paint to the substrate. This Warranty is limited to the terms and conditions, exclusions and limitations, requirements and legal rights stated in this Warranty.

HOW LONG DOES THE COVERAGE LAST?

If you are an individual, this Limited Lifetime Warranty lasts for the life of the property on which the Products were originally applied ("Property") for as long as you own the Property. If you are not an individual (e.g., you are a corporation, condominium, cooperative housing arrangement, unincorporated association, school, church, government or public entity, etc.), the warranty period will be 50 years from the date of original installation of the Products on the Property, prorated as outlined in the Warranty Coverage Schedule contained within. This Limited Lifetime Warranty is limited to the original owner. Coverage will be 100% for ten years after the installation and prorated after that period. See Warranty Coverage Schedule section for details of prorated coverage.

WHAT WILL WE DO?

You must notify us in accordance with the notice requirements outlined below, and we must validate the complaint. In the event the manufacturer is denied access for an inspection, this warranty is null and void. Upon the notification and validation, we will undertake the following:

We will repair, replace or refund the purchase and installation price of the defective portion of our product that blisters, checks, crazes, flakes, peels or weathers unevenly due to a defect in our manufacturing process. Our obligations under this warranty will in no event exceed the purchase price of the originally installed Products found to be warrantable and the cost of the labor involved in the original installation of such defective Products. Any additional costs and expenses beyond these amounts are your responsibility. Norandex™ will not pay or be responsible for any costs associated with or related to anything else affixed to the material or building's roof, including but not limited to solar panels, or television antennas, moisture sensors, etc.

In the event of repair, replacement or refinishing under this Warranty, the Warranty applicable to the replacement material or to the repaired or refinished Products will extend only for the time remaining under the original Warranty.

If we elect to repair or replace Product under this warranty, we will also cover the reasonable labor costs for the applicable area, as determined by us.

WHAT DOESN'T THIS WARRANTY COVER?

This Warranty does not cover damage of any kind resulting from:

- Product that is stored in situations where standing water is covering the surface for prolonged period of time;
- Faulty or improper installation, including "oil canning" waving, buckling, or other distortions;
- Installation of our Product in direct contact with dissimilar materials as discussed in the final section of this warranty;
- Cracking or crazing of the Product's paint surface due to field forming of Products in cold temperatures; or material that has bends less than 2T for a sheet thickness of 0.0299" and thinner and bends less than 4T for a sheet thickness of 0.0300" and thicker.
- Changes in surface color resulting from chalking, fading, soiling or staining. Exposure to the elements may cause these changes over time;

the degree to which weathering occurs will vary depending on air quality, the building's location and other local conditions over which we have no control;

- accidental damage; settlement; fire;
- structural shrinkage or distortion of the property structure;
- tree sap deposits may remove the polyester finish and consequently cannot be warranted under our paint finish warranty; lightning, hurricane, tornado, windstorm, earthquake, hail, or other acts of God;
- harmful chemicals (including harmful cleaning compounds and pesticides);
- fumes, volcanic smog, or vapors; Warranty for material is not given within 30 miles of volcano.
- surface deterioration due to air pollution or seacoast environment; (no Warranty if installed product is within 1 mile of seacoast.)
- misuse or abuse;
- vandalism;
- airborne stains, mold and mildew accumulation;
- Tiger striping or atmospheric dirt accumulation is a naturally occurring phenomenon that is not covered under the finish warranty;
- your failure (or the failure of subsequent Property owners) to provide reasonable and necessary maintenance of the Products (see "Care and Maintenance Instructions");
- impact of foreign objects;
- warping or distortion due to exposure to excessive heat sources (e.g., barbecue grills) or exposure to unusual or excessive reflective heat sources (e.g., window reflection);
- Products that have been painted or whose surface has been altered in any way will void the paint finish warranty;
- any other causes beyond our reasonable control; or
- Corrosion caused by contact with dissimilar materials, treated lumber, or direct salt spray.

OTHER LIMITATIONS

1. This Warranty covers only genuine Norandex™ Steel Rainware and Accessories, including Gutter Coil. It is your responsibility to verify that the rainware and accessories installed are our Products. Our products are warranted in the continental United States, Hawaii, and Alaska.

2. Products that are designed and intended for rainware and trim applications should not be used as roofing material or metal dome gutter protection.

3. Due to normal weathering, replacement Products may differ in gloss and color from Products originally installed on the Property.

4. We reserve the right to discontinue or change any design or color of any of our products at any time and without notice or liability. If, for any reason, Products of the type originally installed are no longer available from us at the time you make a warranty claim, we may substitute another product determined by us to be of comparable quality and price.

5. There are no warranties on these Products other than as set forth in this Warranty. We are not liable to you for a breach of any other written or oral express warranties, such as those, if any, given to you by dealers, contractors, applicators, or distributors of the Products.

6. WE EXCLUDE AND ARE NOT RESPONSIBLE FOR ANY CONSEQUENTIAL OR INCIDENTAL DAMAGES ARISING OUT OF ANY BREACH OF THIS EXPRESSED WARRANTY, OR ANY OTHER ORAL, WRITTEN OR IMPLIED WARRANTY THAT MAY APPLY TO YOUR PURCHASE, AS IT RELATES TO OUR PRODUCTS.

THIS IS YOUR EXCLUSIVE WARRANTY AND IS IN LIEU OF ALL OTHER WARRANTIES, EXPRESSED OR IMPLIED, INCLUDING BUT NOT LIMITED TO IMPLIED WARRANTIES OF MERCHANTABILITY AND FITNESS FOR A PARTICULAR PURPOSE.

7. This Warranty gives you specific legal rights. You may also have other rights which vary from state to state. SOME STATES DO NOT ALLOW THE EXCLUSION OR LIMITATION OF INCIDENTAL OR CONSEQUENTIAL DAMAGES, SO THE ABOVE LIMITATION OR EXCLUSION MAY NOT APPLY TO YOU.



NORANDEX™

EXTERIOR PRODUCTS FOR YOUR HOME

Norandex™ Trim Coil Colors



W1

WHITE 280



W10

LINEN



D52

BEIGE



D53

CHAMPAGNE



D49

ALMOND



D22

CREAM



Y4

*YELLOW



D54

DUNE



D48

TAN



D50

WHEAT



D51

SAND



D46

SAND STONE



D55

TUMBLEWEED TAN



D47

SIERRA CLAY



D58

MOCHA



D56

COBBLESTONE CLAY



D59

KHAKI



B18

RUSSET



D65

RUSTIC CEDAR



B6

ROYAL BROWN



B1

MUSKET BROWN



B20

*MAVERICK BROWN



A29

CARBON



R6

FIREBRICK



G16

CACTUS



G13

IVY GREEN



A24

FERN



G14

OLIVE



G19

ACADIA GREEN



G17

MYRTLE



A25

*GRAPHITE



A21

SMOKE



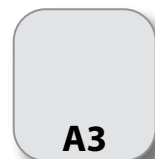
A19

GRANITE



A26

DOVE GREY



A3

SILVER



A22

SEAPORT



L9

GENEVA BLUE



L10

DEEP WATER



L2

JAMESTOWN BLUE



L8

STEEL BLUE



L7

WEDGEWOOD BLUE

★ NEWLY ADDED TRIM COIL COLORS

**Not available in PVC.*

Note: Please refer to metal color swatches for color accuracy.

PROUDLY FINISHED WITH

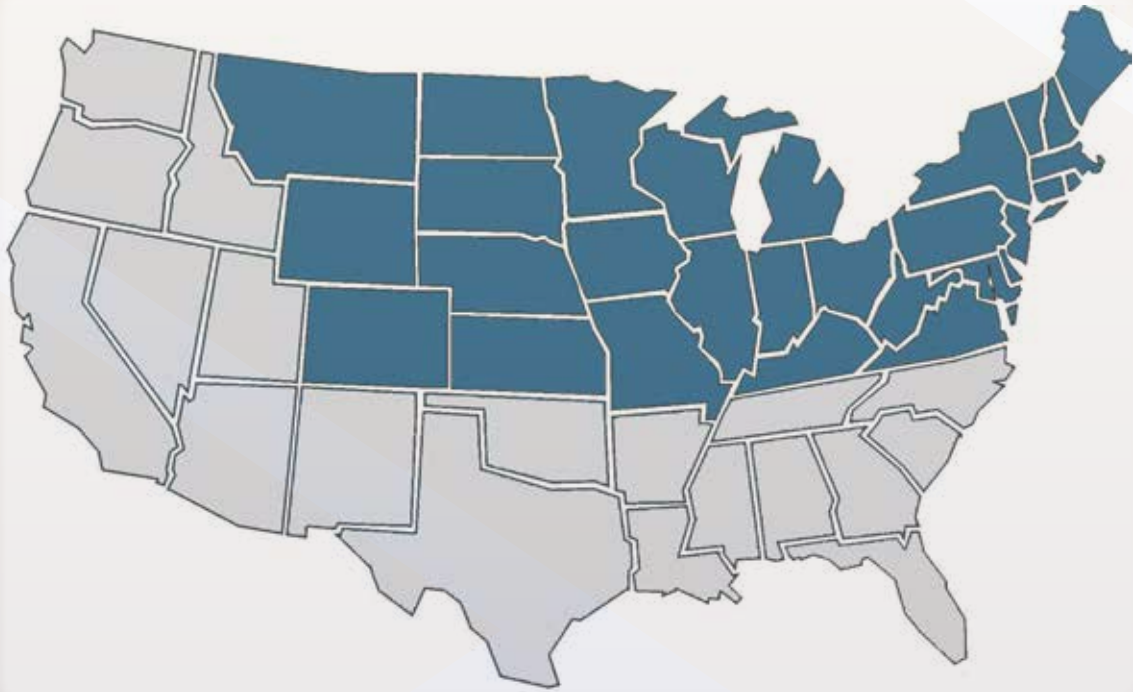
SHERWIN-WILLIAMS.

Coil Coatings



NORANDEX™

EXTERIOR PRODUCTS FOR YOUR HOME



Beloit Plant Serves Midwest & Northeast Regions